

Fitted Furniture Installation and Aftercare Guide

Customer Service Contact Number
08008 778899

Important Information

- In the unlikely event that your product is damaged or faulty in any way, this must be notified on receipt, and must not under any circumstances be fitted. Time must be allowed between delivery and installation for checking items and the delivery of subsequent replacements.
- Components/products that are deemed defective as a result of incorrect or substandard installation or improper or negligent use will be excluded from any warranty claim.
- Always unpack units carefully from the packaging.
- Do not carry units by their struts/rails.
- Do not compress carcasses or other items up against walls as this may affect the opening action of doors and/or drawers.
- Doors are supplied pin pricked for handles. Any competent fitter will be able to drill them.
- Only use low-tack masking tape to prevent marking or damaging laminate surfaces.
- Our bathroom furniture is designed for use within domestic installations that are adequately ventilated. As with any wooden product, bathroom furniture will be adversely affected if it is subjected to excessive moisture. It is strongly recommended that adequate bathroom extractor fans are installed to prevent heavy condensation and all splashes and spillages MUST be dried as soon as possible.
- All exposed or cut surfaces MUST be sealed with a suitable varnish or silicone sealant to prevent blowing. If this is not done, all warranty claims will be void. Silicone sealant must be used in particular around basins and worktop joints, and around all edges of bath panels and plinths.
- All units must be individually fixed to the wall via the adjustable hanger brackets. If units are screwed together, every unit must still be individually anchored to the wall, using the hanger brackets and suitable wall fixings.
- When wall hanging units a firm fixing must be achieved. It is the responsibility of the installer to make sure that any fixings used are suitable for the individual installation in question. If a firm fixing is not achievable with base units then the additional use of the adjustable support legs is recommended.
- We reserve the right to amend the specifications at any time if an opportunity to further improve the product occurs. All dimensions are approximate and are quoted within reasonable tolerances.
- Always wear suitable eye protection when drilling holes in the wall.
- Take care when using power tools near water - the use of a residual current device (RCD) is advised.
- Beware of hidden cables or pipes.
- Take care if drilling on tiled surfaces in case the drill slips. A piece of masking tape applied to the wall before marking out the fixing holes will stop the drill from wandering.
- All items within the range could be dangerous if installed incorrectly and installation is only to be carried out by a competent person.
- Never overload shelves or units. If necessary due to site conditions, use additional supports/battens/brackets to provide additional support to units (not supplied).
- Vanity unit back panel may need to be cut to allow clearance for basin bottle trap

PLEASE NOTE:

These are generic instructions that cover the whole fitted furniture range.

Some line drawings shown may differ from products supplied.

CAUTION:

Make sure work area is properly ventilated when cutting MDF.

Leg Fitting for installations with continuous plinths

Lay the units on to a clean flat surface so that the sides are not scratched or damaged.

If a wall-hung look is not required (or achievable due to site conditions), attach the black socket of the legs into the base of the unit and secure in position with the screws provided.

Push the legs into the socket – they may need a tap with a hammer to achieve a secure fit.

Adjust the legs to allow a space of 150mm between the underside of the cabinet and the floor to accommodate the plinth.

Once all necessary pipe work is completed, position the unit on it's legs and against the wall. Ensure that the unit sits level in both directions.

WC unit leg installation

Lay the units on to a clean flat surface so that the sides are not scratched or damaged.

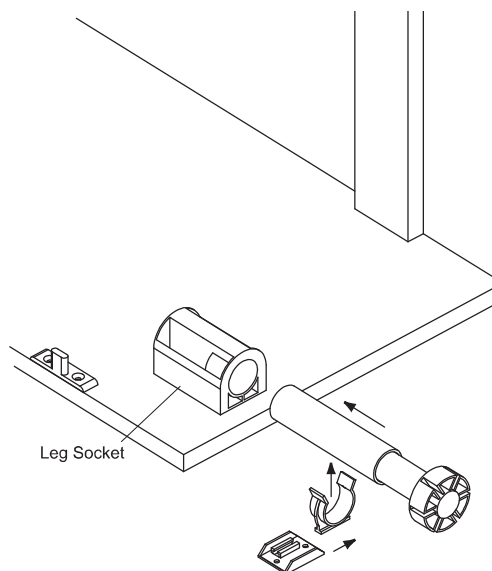
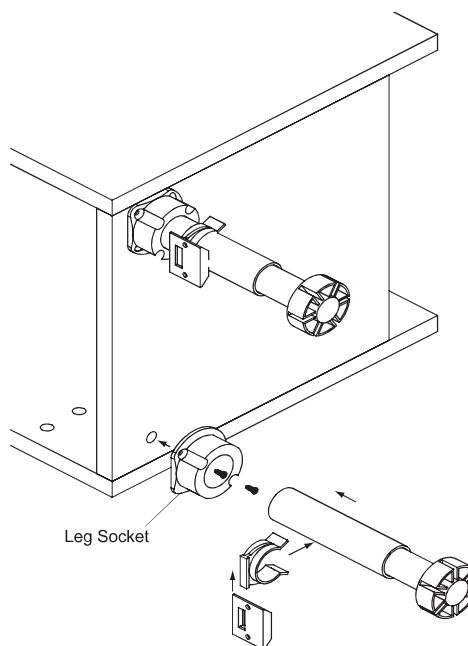
A wall hung look with WC units is not practical due to pipe work requirements.

Push the legs into the socket – they may need a tap with a hammer to achieve a secure fit.

Adjust the legs to allow a space of approximately 200mm between the underside of the unit and the floor to accommodate the plinth.

Once all necessary pipe work is completed, position the unit on it's legs and against the wall. Ensure that the unit sits level in both directions.

Note: Do not drag the unit across the floor – this will damage the carcass where the legs are fastened.



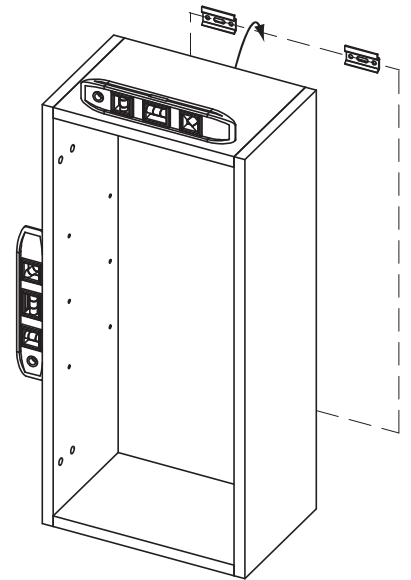
Hanging Base Units (including Full Height units)

Once the base unit is level, each one must to be anchored to the wall using the adjustable hanging brackets at the back of the unit. Draw a line on the wall with a spirit level where the nominal height of the top of the cabinet should be – this will make adjustment to the suitable level easy once the unit is hung.

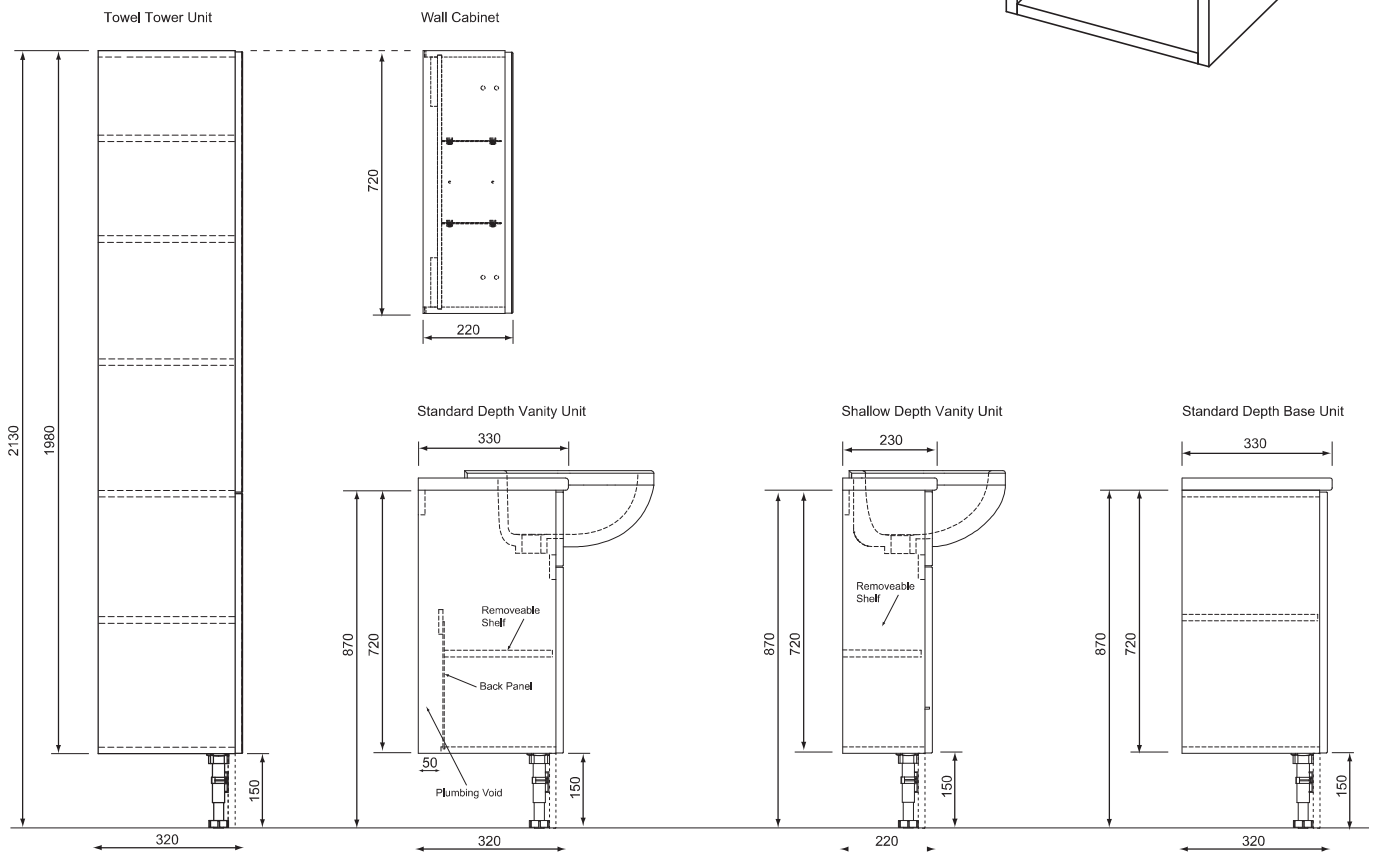
Loosen off both the screws on the hangers and position the metal wall plate on the wall at the suitable height for the unit in question.

Nominal height from floor to the top of base units (excluding worktop) is 870mm.

Nominal height from floor to the top of a full height unit is 2120mm.

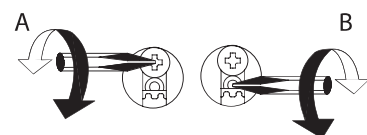
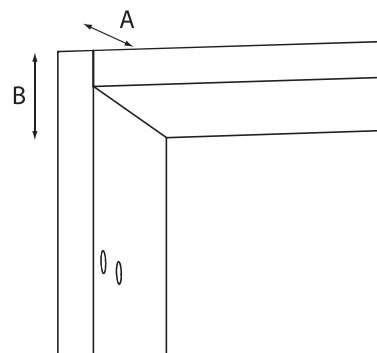


Nominal Heights to tops of units (excluding worktops)



Fasten the metal wall plate using the appropriate fixings for the wall in question.

Hang the unit onto the metal wall plate, making sure that the claw of the hanger locates properly. Adjust the level of the unit using screw (A) as shown. Once level, secure the unit to the wall by tightening the lower screw (B).



View from inside of cabinet

Insert cover plate following adjustment

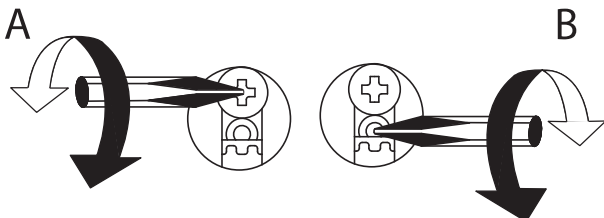
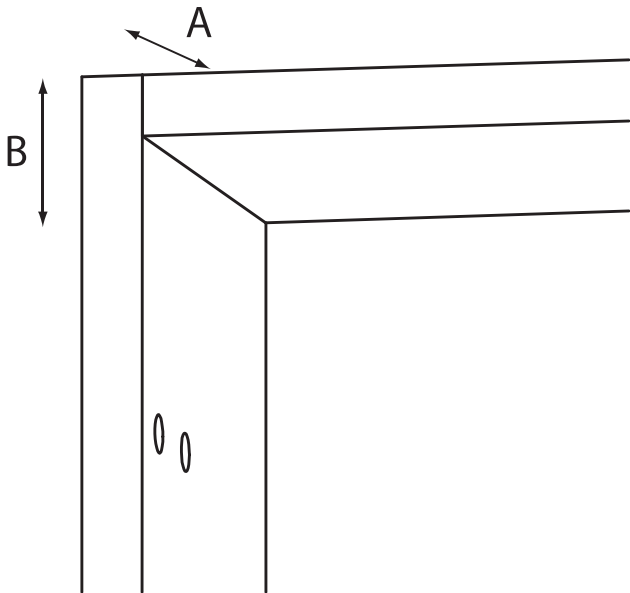
Hanging Wall Cabinets

Wall units must each be anchored to the wall using the concealed adjustable hanging brackets at the back of the unit.

Note: Nominal height from floor to the top of wall cabinets is 2120mm. Adjust the height if running the units off from a full height unit.

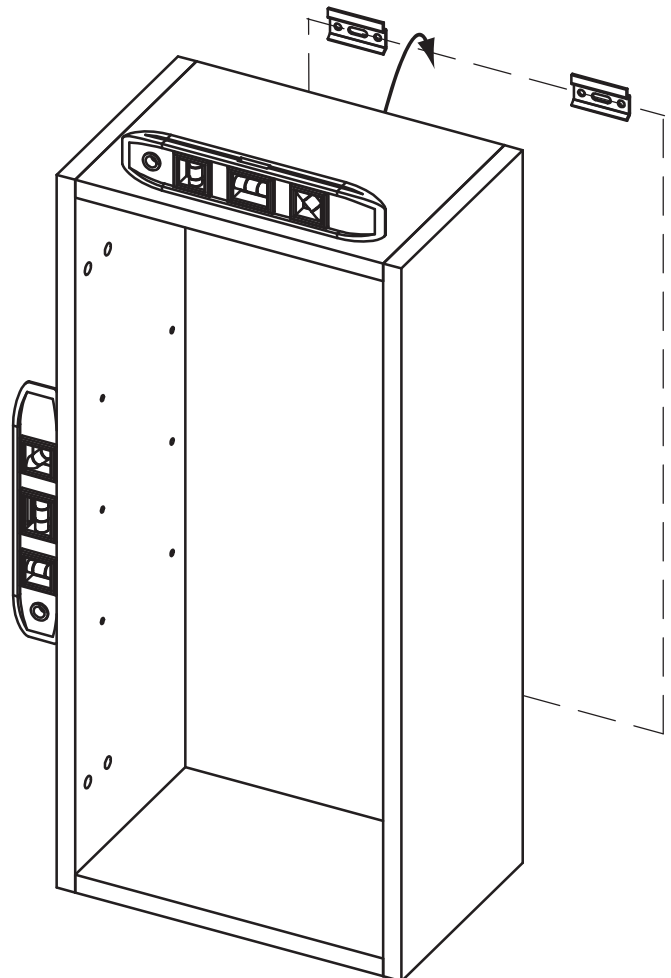
Fasten the metal wall plate using the appropriate fixings for the wall in question.

Hang the unit onto the metal wall plate, making sure the hanger locates properly on to the metal plate. Adjust the level of the unit using screw (B) as shown. Once level, secure the unit to the wall by tightening the lower screw (A). Then insert the metal cover plate inside the unit.



View from inside of cabinet

Insert cover plate following adjustment 



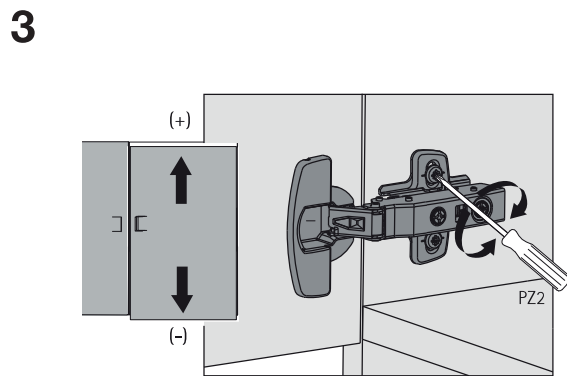
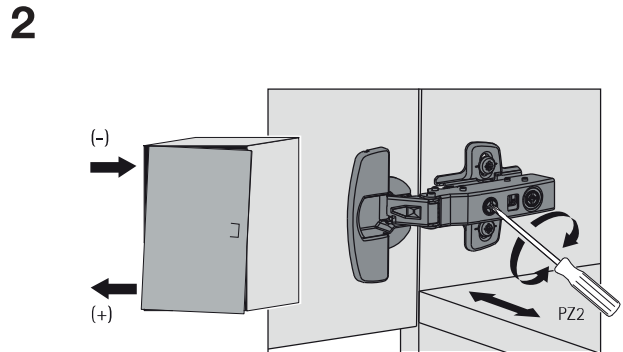
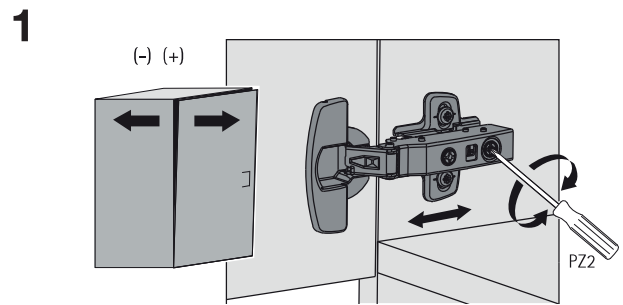
Door Adjustment

Adjust the door as necessary – see diagram.
To adjust the door left and right, tighten / loosen screw (1). To adjust the door forwards and backwards tighten / loosen screw (2). To move the door up and down adjust the screws on the hinge mounting plate (3).

On single door units the doors are fitted left handed but can be reversed (do so before drilling for handles). Simply unscrew the hinge plates from one side of the carcass and fasten into the pre-drilled holes on the other side.

The door can be easily removed by pushing the Quick release button and swinging the back of the hinge away from the mounting plate. Always remove the bottom hinge first.

The soft close mechanism features quarter turn adjustment to provide optimal closing speed for any door dimensions and weight.



Drawer Adjustment

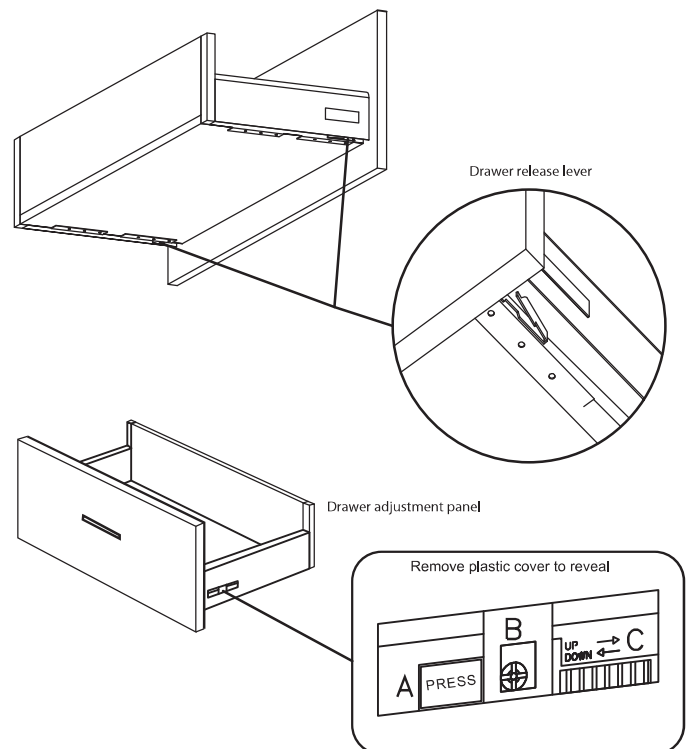
Drawers can be simply removed from the units by releasing the clips on the underside of the drawer runners (see diagram).

Drawers are easily adjusted using the adjustment panels on the side (see diagram). First remove the plastic cover plate to reveal the controls (1 on each side of the drawer).

Button A - Releases the drawer fascia from the draw frame (press on both sides).

Screw B - Moves the drawer fascia left / right (there is only one Screw B per drawer which is located on the adjustment panel on the right hand side).

Wheel C - Moves the drawer fascia up / down (one wheel on each side of the drawer).



Fitting Sanitaryware

WC Units

Make cut outs in the main panel as necessary for the inlet pipe from the cistern and the waste (soil) pipe, as per the manufacturer's instructions.

All cut edges must be resealed with a suitable oil based paint or PU lacquer to prevent water ingress.

Push Button Locating

The top fascia will need to be cut with a suitably sized hole cutter. Before cutting make sure that the button does not obstruct the cistern.

Basin Units

When fitting a basin to the worktop above a basin unit, ensure that the back of the basin fits against the front surface of the fascia.

Remember to account for the worktop thickness and overhang when aligning the basin template. Cut the worktop and fascia in accordance with the instructions supplied by the manufacturer.

All cut edges **MUST** be resealed with a suitable waterproof varnish, oil based paint or lacquer. Once installed, the basin must be sealed around all edges with a quality silicone sealant.

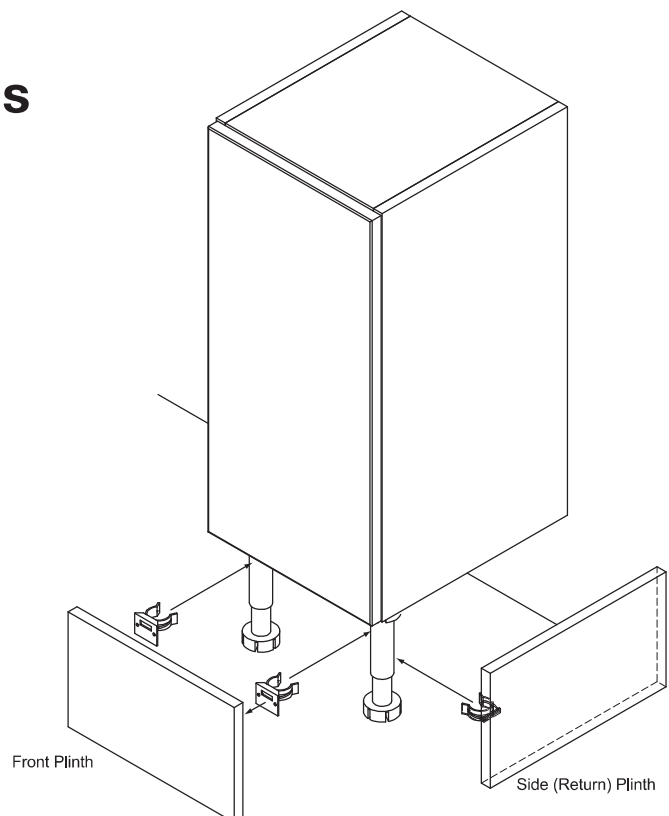
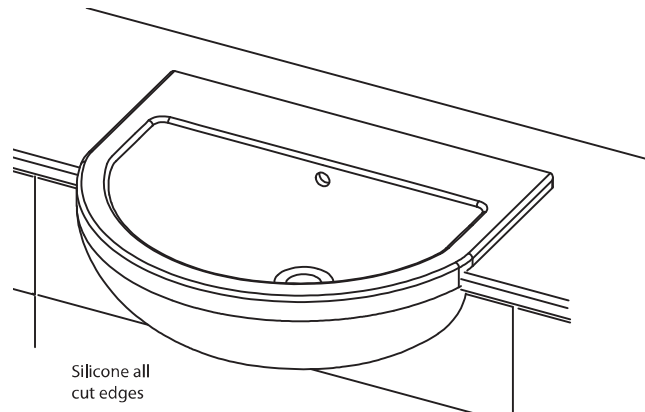
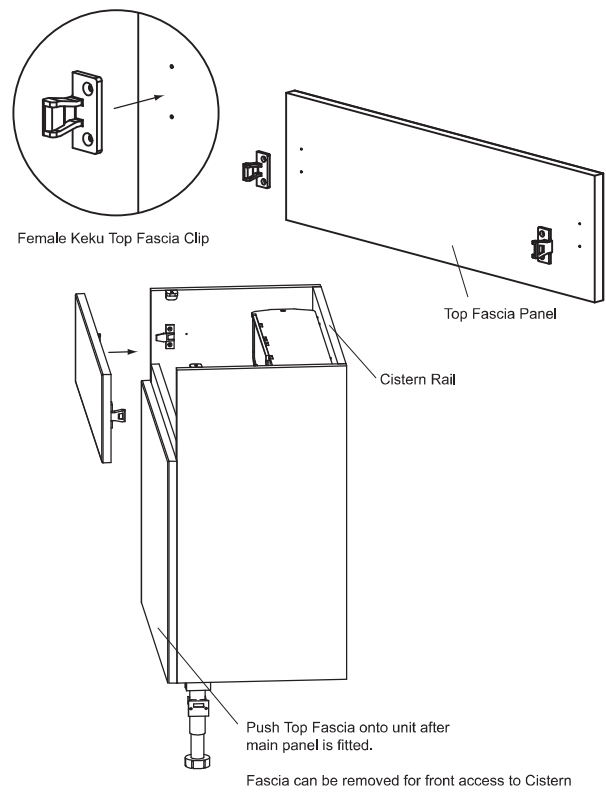
Plinth Fixing & Return Plinths

If using continuous plinths, these can be secured to the black legs on the base units using the clips supplied with the legs.

Snap off the mounting plate from the clip moulding, and screw to the back of the plinth using the screws provided, in the position that corresponds with the legs when the plinth is fitted.

Slide in the clip to the mounting plate and push the plinth into position onto the legs.

For return plinths, position the clip mounting plate such that it will not interfere with the clip of the front plinth that locates onto the same leg.

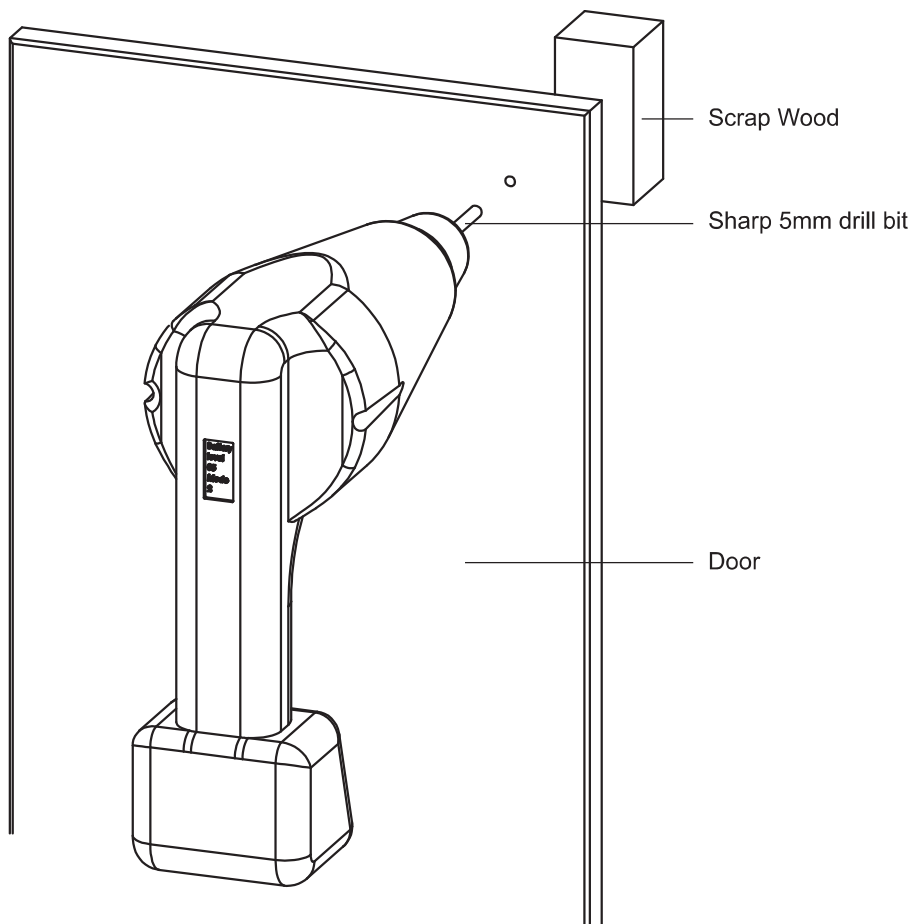


Door and Drawer Handles

Doors and drawers are supplied pin pricked for handle location.

It is recommended that the clear protective film on the Gloss door is left on the doors for as long as possible to prevent scratching.

Place the door or drawer fascia on a flat piece of scrap wood, then use a sharp 5mm drill bit and drill from the back into the scrap wood on the reverse side of the door/drawer fascia.



Care Instructions

By following the following guidelines, your furniture will provide you with many years of service.

- Our bathroom furniture is designed for use within domestic installations that are adequately ventilated. As with any timber product, bathroom furniture will be adversely affected if it is subjected to excessive moisture. It is strongly recommended that adequate bathroom extractor fans are installed to prevent heavy condensation.
- All splashes and spillages **MUST** be dried as soon as possible.

- After installation all sawdust must be removed with a vacuum cleaner. Drawer runners should be inspected and any dirt particles removed to promote a soft close running motion.
- Clean with a soft damp cloth and a mild soap solution if necessary. Test on an inconspicuous area first.
- Do not use abrasive cleaners, bleaches or furniture polishes as the finish could be affected.

bathrooms *to love*

brought to you exclusively by our bathroom specialists

Furniture installation and care maintenance guide

Customer services contact number

0800 8 77 88 99

In the unlikely event that your product is damaged or faulty in any way, this must be notified upon receipt. Please do not install faulty/damaged goods, as this will deem the warranty invalid. Please ensure that goods are checked once delivered.

If the products are deemed defective because of poor or incorrect installation, the warranty claim will be invalid.

Always carry unpack goods, carefully from the packaging. Do not drag or let the goods drop to the floor. Although our furniture is hardwearing, sharp objects will scratch and excessive heat will scorch the surface.

Ensure that units are carried and unloaded safely.

Always wear suitable eye protection when drilling holes.

Take care when using power tools near water – the use of residual current device (RDC) is advised.

Beware of hidden cables or pipes.

Take care if drilling on tiled surfaces in case the drill slips. A piece of masking tape applied to the wall before marking out the fixing holes will stop the drill from slipping.

Only use low-tack masking tape to prevent marking or damaging surfaces.

Never overload shelves or units. If necessary, use additional support brackets/battens to provide additional support (not supplied).

Never lean on partially or fully opened doors or drawers to gain access to the units. The hinges/runners are specified to adequately support the weight of the door/drawer, plus small additional weights such as wire accessories.

Our bathroom furniture is designed for use within domestic installations, that are adequately ventilated.

As with any wooden product, bathroom furniture will be adversely affected if it is subjected to excessive moisture. It is strongly recommended that adequate bathroom extraction is installed to prevent heavy condensation.

We also recommend that units are not placed directly next to open showering units. A distance of at least 60cm is recommended.

This product is water resistant but NOT waterproof.

All water splashes and spillages must be dried as soon as possible.

Any unit that has been cut must be sealed with varnish or silicone sealant to prevent blowing. If this is not done correctly, all warranty claims will be void.

Silicone sealant must be used, particularly, around basins and worktop joints, and around bath panels and plinths/end panels.

Please avoid direct sunlight as this may cause painted surfaced to discolour.

Due to motion in transit, the cabinet doors and drawers may need to be adjusted after installation.

All units must be individually fixed to the wall with wall brackets. If units are screwed together, they must both be anchored to the wall, using hanger brackets and suitable wall fixings.

Basin units should be fitted as above. The basin should also be secured where applicable using Fischer bolts through the fixing points under the basin (NOT Supplied). Note that not all basins have this facility.

Wall Hung Units must be secured back to the wall using the wall hanging brackets or suitable wall fixings when not supplied. Additional support is recommended using "L" brackets (Not Supplied). When fixing to a stud or panelled wall, appropriate framework should be installed to support the basins and units (not supplied)

When hanging wall units, it is the responsibility of the installer to ensure that suitable fixings are used. A firm fixing must be achieved.

It is the installers responsibility to use the correct fixings for the type of wall construction.

All items could be dangerous if not installed correctly.

Vanity unit back panels may need to be cut to allow clearance for the plumbing.

Units may need to be cut for skirting allowance.

Vanity unit fascia panels will need to be cut if installing semi recessed basins. Please ensure that before cutting that you include allowance for the worktop that is to be placed on top of the vanity unit.

The front lower fascia's on WC units will need to be cut when installing BTW toilets. Before cutting, please ensure that accurate measurements are taken & plinth heights are considered (if any) before cutting.

The upper fascia's on WC units may need to be cut when installing the toilet flush button. Please ensure that accurate measurements are taken & toilet seats positions are considered before cutting.

Melamine, Vinyl and Foil Wrapped Doors - Occasional marks can, in most cases, be removed with a soft damp cloth. More persistent marks can be removed using a non-silicone-based furniture cleaner. Hot soapy water should be avoided. Once the mark is removed, the area should be wiped over with a damp cloth to remove any excess and dried with a soft, clean cloth. On no account should solvent or abrasive cleaner be used as permanent damage to the finish could take place.

For lacquered finishes, a mild/diluted soap on a damp soft cotton or micro-fibre cloth may be used. (Maximum 1% of liquid soap). Never use aggressive cleaning products containing substances like acetone, alcohol, bleach, as these components will seriously damage the surface.

Carcass Components - Do not use polish on any surface. A damp cloth with soapy water will clean off most marks or spills. Bleach, scouring pads or multi-surface cleaners should not be used. Any exposed carcass components have been treated to prevent and water ingress.

Drawer runners & door hinges should be wiped with a damp soapy cloth and wiped dry with a soft cloth, as necessary. The roller runners and hinges are lubricated and should not be cleaned with detergents or degreasing agent, as this will adversely affect moving parts.

It is always recommended to use a competent, experienced installer. These guidelines should be retained by the user for future reference.