

# HERITAGE

## BATHROOMS

### *Installation Guide*



Models Covered:

#### **Exposed Bath Waste Trap**

**THAI5CI**  
**THBNI5CI**  
**THCI5CI**

Please keep this booklet for future reference.

Installer: When you have read these instructions, please ensure you leave them with the user.

---

# INTRODUCTION

---

Thank you for buying a Heritage Product. When you buy a Heritage product, you can be confident that it not only features a beautiful, distinctive, classic design, but that it has also been made to the very highest quality standards.

To ensure that it works to its full potential, it needs to be fitted correctly.

These fitting instructions have been created to give you all of the information you need and, if you need any further help, please do not hesitate to give us a call on: 0330 026 8503.

---

## CONTENTS

---

SAFETY NOTES	3
PRIOR TO INSTALLATION	4-5
INSTALLATION	6
CARING FOR YOUR PRODUCT	7
GUARANTEE	7
NEED HELP?	7



---

# SAFETY NOTES

---

Please make sure you read these instructions and retain for future use.

All products manufactured by Heritage Bathrooms are safe, providing they are installed and used correctly and also receive maintenance when needed.

Baths, including the connecting water and waste system need to be installed in accordance with and meet the requirements of the Water Supply Regulations 1999 (Water Fittings) and current by-laws. If you are in doubt about your ability to install this product correctly or safely, you should employ the services of an experienced qualified plumber.

This product must not be modified in any way otherwise this will invalidate the guarantee.

Consider the following whilst using power tools:

- Prior to drilling into walls, check there are no hidden electrical cables or wires and there are also no water pipes. These can potentially be found using an electrical or metal detector. You may also need to know some of the schematics of previous installations to determine the suitability and accommodation of the installation.
- Wear the correct PPE, especially ear, eye and hand protection when using power tools. Unplug any mains equipment after use.
- Keep electrical equipment away from sources of water.
- If a blow-lamp is used when plumbing, the flame must be kept well away from the product otherwise damage may occur.



# PRIOR TO INSTALLATION

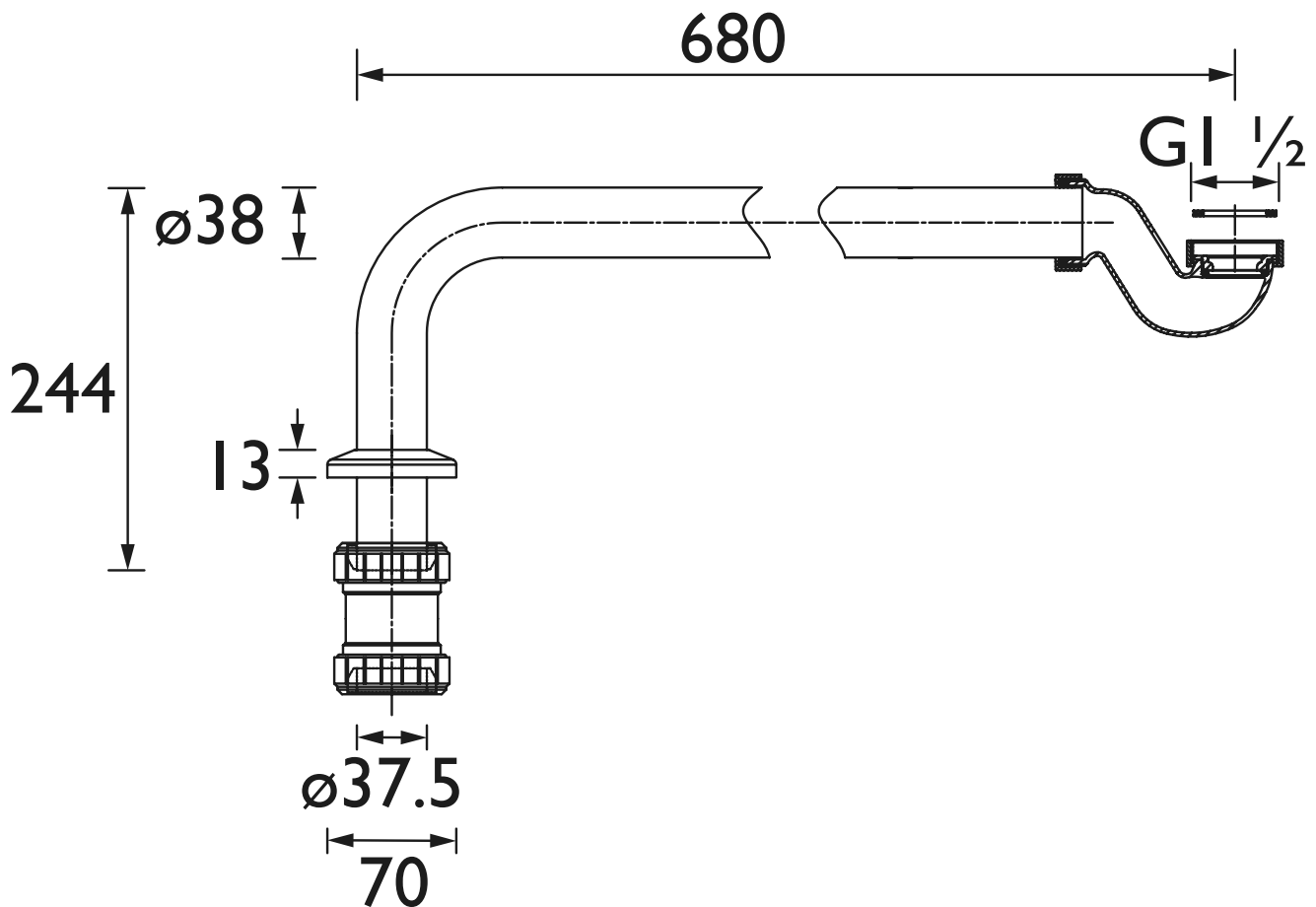
Please ensure that the installation and accommodation is designed with future serviceability of the product in mind. In the event a future claim is made under the product warranty, the design of the installation may affect compensation costs if it has not been considered in the original design.

Check the installation and dimensions of your bath to make sure that the exposed pipework will fit to your bath. Consideration will need to be taken for the floor clearance underneath the bath and whether your waste pipework is coming from the floor or the wall. The waste L Pipe will need to be cut to size to suit the installation, and positioned with a sloped angle for draining purposes.

Failure to observe crucial information in these fitting instructions will nullify your guarantee.

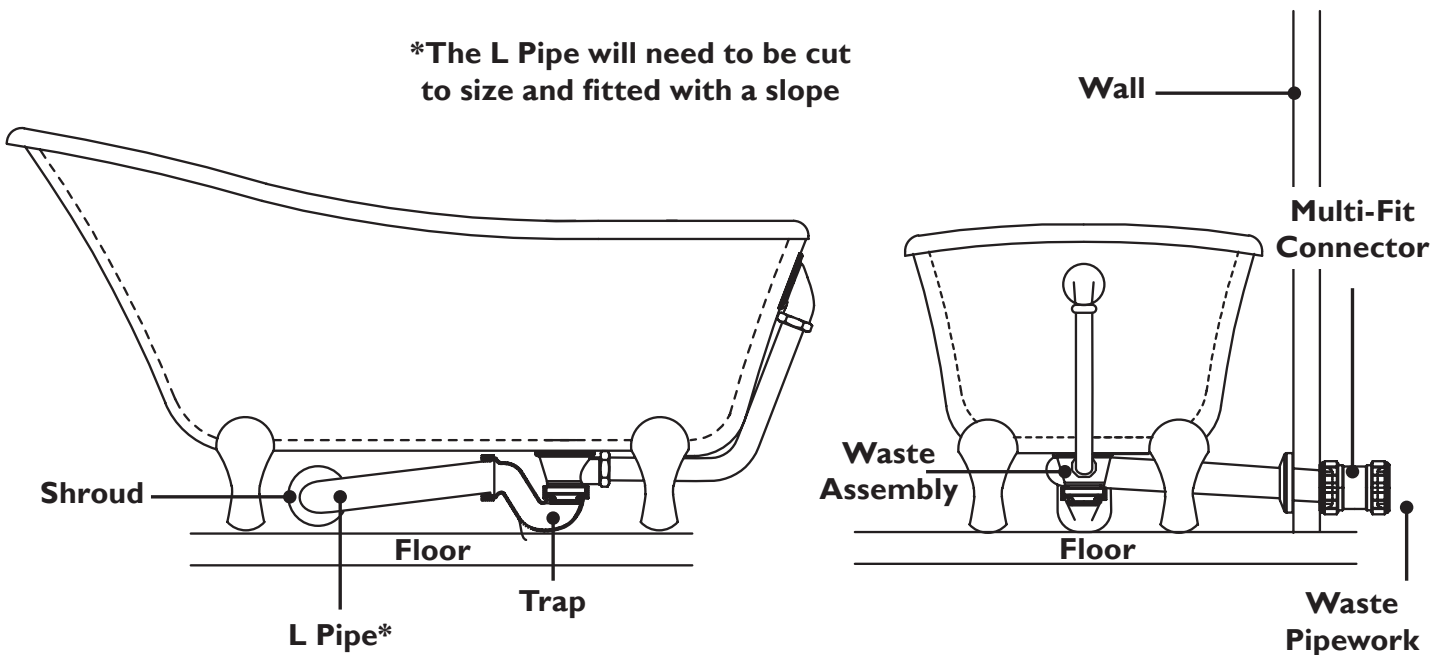
This product requires experience within plumbing. No responsibility will be taken for poor workmanship resulting in leaks and injuries.

## Crucial Dimensions

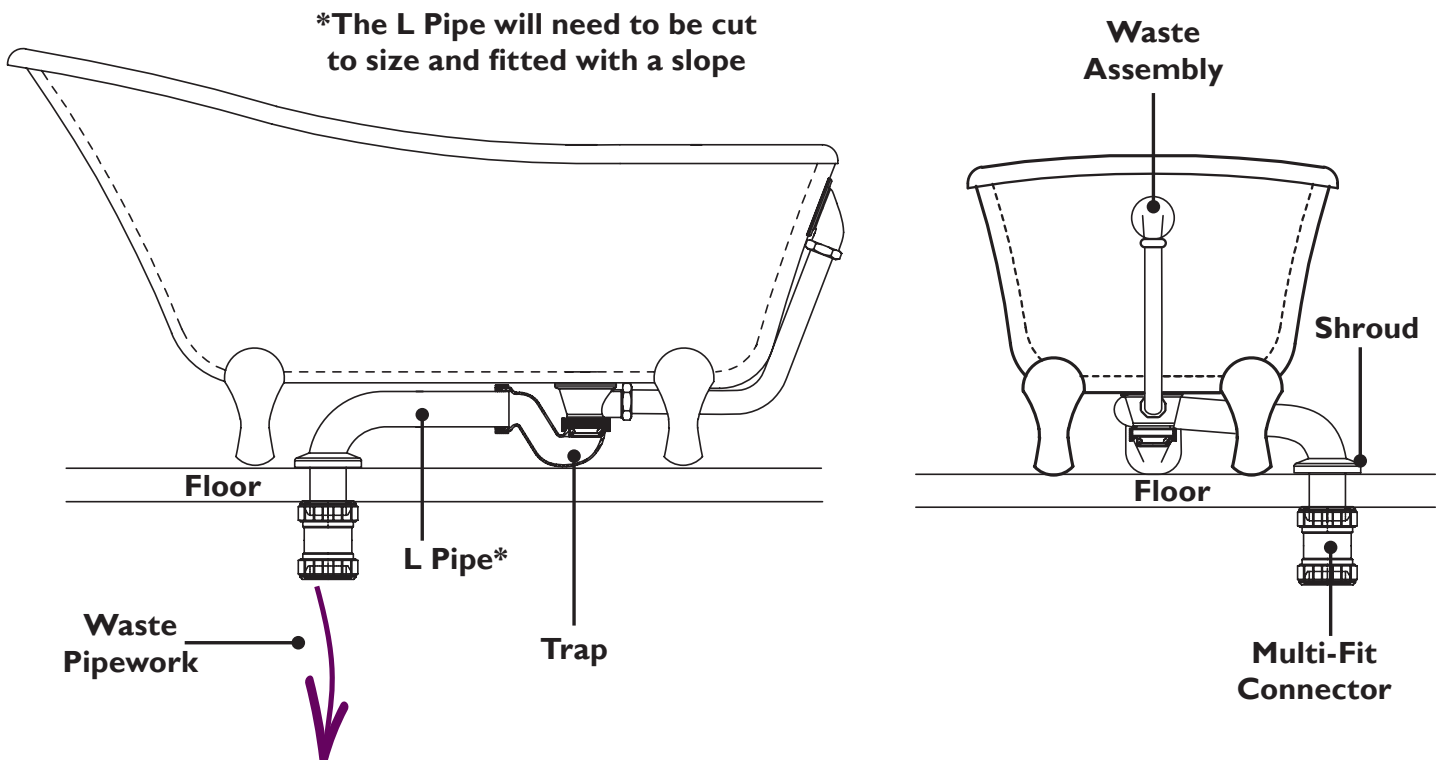


# PRIOR TO INSTALLATION

## TH\_\_I5CI Typical Installation - Wall Fitted



## TH\_\_I5CI Typical Installation - Wall Fitted

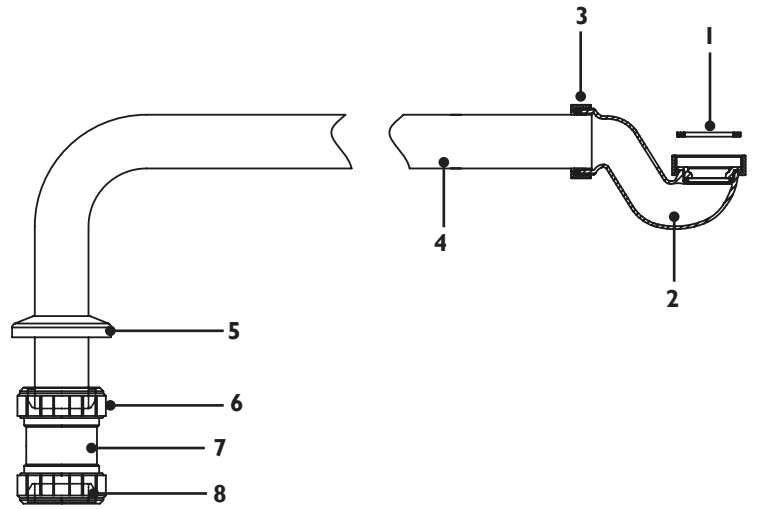


# INSTALLATION

## Components:

Identify all components are present prior to installation.

- |                        |      |
|------------------------|------|
| 1. Rubber Washers      | (x2) |
| 2. P Trap              | (x1) |
| 3. Plated Nuts         | (x2) |
| 4. L Pipe              | (x1) |
| 5. Shroud              | (x1) |
| 6. Plastic Nuts        | (x2) |
| 7. Multi-Fit Connector | (x1) |
| 8. Connector Washers   | (x2) |



1. Offer the P Trap (2) to the waste body on the bath, ensuring a rubber washer (1) is in place. Secure using a plated nut (3).
2. Connect the multi-fit connector (7) to the waste pipework using a connector washer (8) and plastic nut (6).
3. Push the long side of the L Pipe (4) into the P Trap (2) as far as it can go. Mark on the long side of the L Pipe (4) where the pipe meets the multi-fit connector (7), allowing for clearance inside.
4. Insert the short end of the L Pipe (4) into the multi-fit connector (7) and line up the long end of the L Pipe so that it connects to the P Trap (2) with a sloped angle. Mark on the short end where the multi-fit connector (7) and L Pipe (4) meet, allowing for clearance inside.
5. Also mark on the long end of the L Pipe (4) where the L Pipe meets the P Trap (2), allowing for clearance inside.
6. Cut the L Pipe (4) to size following the measurements; take care of the plated finish. Remove any debris and deburr all rough edges from the pipe.
7. Connect the long end of the L Pipe (4) to the P Trap (2), ensuring the rubber washer (1) is in place. Secure with the plated nut (3).
8. Slide on the shroud (5) on to the other end of the L Pipe, curved side first.
9. Connect the other end of the L Pipe (4) to the multi-fit connector (7) using the connector washer (8) and plastic nut (6).
10. Turn on the water supply and check all joints and connections for any leaks. Slide the shroud (5) down to cover the connector.



---

## CARING FOR YOUR PRODUCT

---

Heritage products are made from premium materials, with hand polishing, PVD, EPD and electroplated finishes.

Your product should be regularly cleaned with warm water, a mild pH-neutral liquid soap, and polished with a soft cloth. Any residues from soap, toiletries etc. should be rinsed off straight after use.

Household bleaches and cleaners contain harsh chemicals and may damage the surface finish. Avoid using abrasive cloths, scouring pads, scrub sponges, steel wool or anything similar.

Some surfaces such as nickel and pewter may be affected by the dye found in some cloths, so it is also important to avoid leaving cloths on surfaces.

---

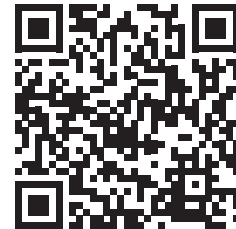
## GUARANTEE

---

The confidence we have in the quality of our products and services enables us to offer a free peace-of-mind product guarantee from 2 years up to a lifetime guarantee against any manufacturing faults, with proof of purchase. In addition, our attentive customer service team are available to help solve any problems which may arise quickly and effectively so you can enjoy your bathroom.

To see the specific guarantee for this product, scan the QR Code or visit the following URL:

<https://www.heritagebathrooms.com/service-centre/guarantee>



---

## NEED HELP?

---

In the unlikely event that you encounter a problem with your Heritage product, you must, in the first instance, contact the retailer you purchased it from. They will advise as to whether it is due to a manufacturing fault or an installation fault. If the problem is due to a manufacturing fault, they will contact us to arrange a supply of a replacement product as soon as possible. To speak to a Heritage customer service advisor, please contact our technical helpline on 0330 026 8503.



# HERITAGE<sup>®</sup>

## BATHROOMS

We love to see how Heritage products are used so please keep in touch and share pictures of your new bathroom with us.



@heritagebathrooms

If you have any queries, our dedicated customer service teams and products experts are available to help.

Email us [enquire@heritagebathrooms.com](mailto:enquire@heritagebathrooms.com) Call us **0330 026 8503** Website [www.heritagebathrooms.com](http://www.heritagebathrooms.com)

UK: Heritage Bathrooms, Pooley Hall Drive, Birch Coppice Business Park, Dordon, Tamworth B78 1SG

EU: Masco Europe S.à.r.l., 14 Rue Strachen, 6933 Mensdorf, Luxembourg.