

Features:

- Large 6" fixed head
- Available in a selection of finishes

Product Certifications:



WRAS Cert. Number: 2309908
WRAS Expiry Date: 30/09/2028

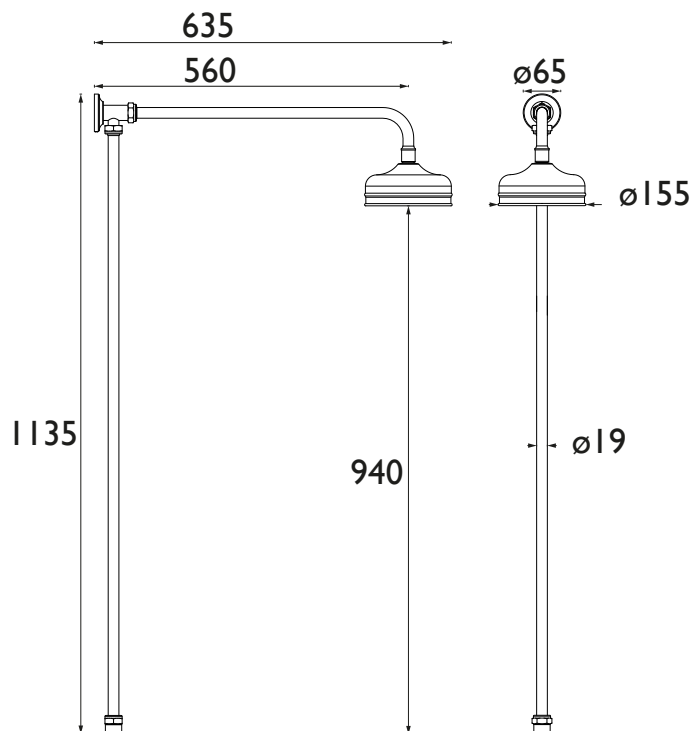


Additional Information:

Specification

Finish/Colour:	Chrome Plated
Main Construction Material:	Brass
Shower Kit:	Rigid Riser with Fixed Head
Shower Head Type:	Fixed Head
Rub Clean Nozzles:	No
Mounting Type:	Wall
Plumbing System Suitability:	Suitable for all plumbing systems
Minimum Dynamic Pressure (bar):	0.1 bar
Maximum Dynamic Pressure (bar):	5 bar
Maximum Static Pressure (bar):	10 bar
Maximum Hot Water Supply Temperature °C:	65
Connection Inlet:	G1/2"
Isolation Included:	No
Check Valve Included:	No
What's Included:	1x Fixed Head, 1x Riser Rail Connector, 1x Riser Rail, 1x Wall Arm, 1x Wall Bracket, 1x Fixing Kit

Dimensions (measurements in mm)



Flow Rates (l/min)

System Pressure (bar)	0.1	0.5	1	2	3	5
Through Fixed Head (mixed)	2.3	5.2	6.1	6.6	7.2	8.1

