



### Specification

Finish/Colour:	Gold Plated
Main Construction Material:	Brass
No of Controls:	1
Shower Type:	Exposed Sequential
Shower Head Type:	N/A
Shower Kit:	Valve Only
Valve/Cartridge Type:	Sequential Cartridge
Maximum Hot Water Supply Temperature °C:	65
Plumbing System Suitability:	Suitable for all plumbing systems
Minimum Dynamic Pressure (bar):	0.1
Maximum Dynamic Pressure (bar):	5
Maximum Static Pressure (bar):	10
Connection Inlet:	15mm Compression
Connection Outlet:	G 1/2"
Isolation Valve Included:	No
Check Valve Included:	Yes

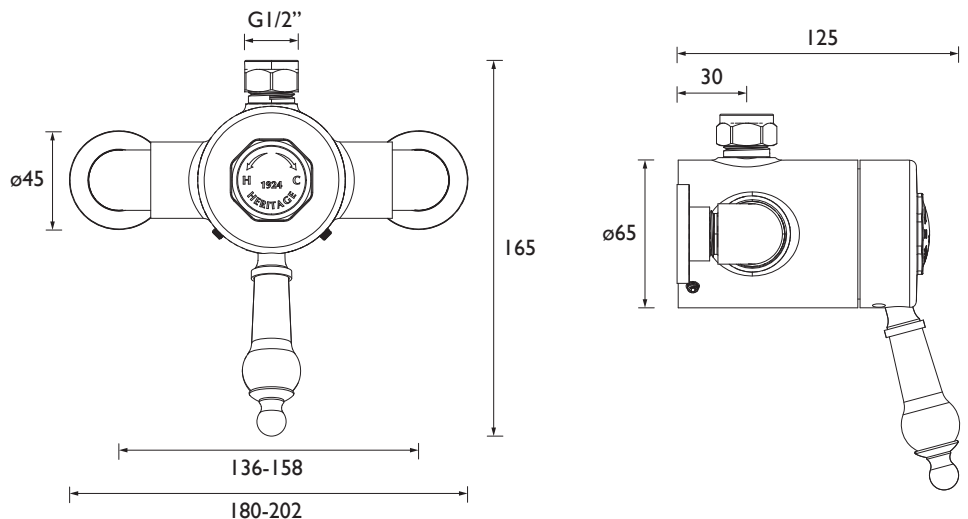
### Features:

- Optimised for UK market, designed to work at pressure range of 0.1 - 5.0bar
- Thermostatic temperature control and automatic stop prevent surges of hot or cold water
- Performance Flow to provide a drenching experience
- Adjustable inlet centres, allowing you to use existing pipework with centres measuring anything between 136mm and 158mm.

### Product Certifications:

### Additional Information:

### Dimensions (measurements in mm)



### Flow Rates (l/min)

System Pressure (bar)	0.1	0.5	1	2	3	5
With Flow Regulators (mixed)	5.7	14.8	16.2	14.1	15.1	16
Without Flow Regulators (mixed)	6.7	17.8	24.5	33.3	40.6	53