

SDCT06

DAWLISH Shower Range Dawlish Exposed Shower Valve with Top Outlet Connection Chrome



Specification

Finish/Colour:	Chrome Plated
Main Construction Material:	Brass
No of Controls:	2
Shower Type:	Exposed Concentric
Shower Head Type:	None
Shower Kit:	None
Valve/Cartridge Type:	Concentric Cartridge
Maximum Hot Water Supply Temperature °C:	65
Plumbing System Suitability:	Suitable for all plumbing systems
Minimum Dynamic Pressure (bar):	0.1
Maximum Dynamic Pressure (bar):	5
Maximum Static Pressure (bar):	10
Connection Inlet:	15mm Compression
Connection Outlet:	G 1/2"
Isolation Valve Included:	No
Check Valve Included:	Yes

Features:

- Optimised for UK market, designed to work at pressure range of 0.1 - 5.0bar
- Thermostatic temperature control and automatic stop prevent surges of hot or cold water
- Performance Flow to provide a drenching experience
- Adjustable inlet centres, allowing you to use existing pipework with centres measuring anything between 136mm and 158mm.

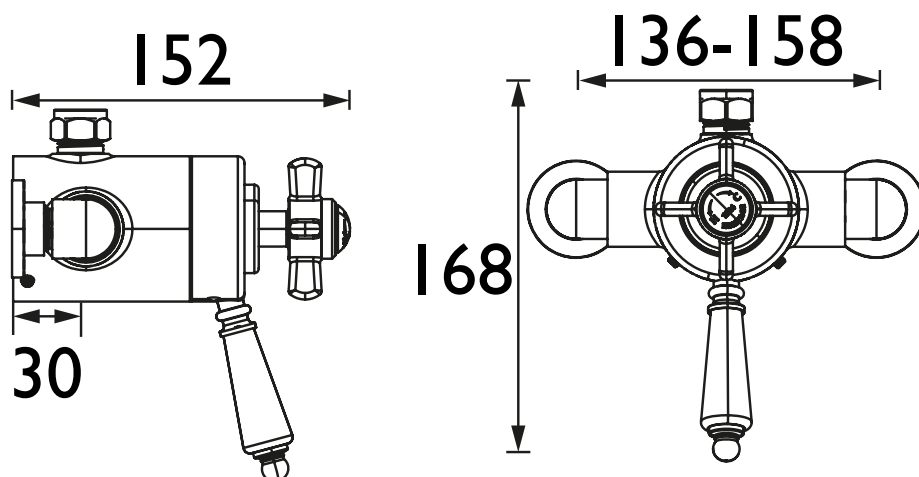
Product Certifications:



WRAS Certificate No: 2207919
WRAS Expiry Date: 31/07/2027

Additional Information:

Dimensions (measurements in mm)



Flow Rates (l/min)

System Pressure (bar)	0.1	0.5	1	2	3	5
Valve Only (mixed)	6.9	19.9	28.7	41.3	50.9	66.2

Technical Data Sheet



HERITAGE[®]
BATHROOMS

D6