

HERITAGE

BATHROOMS

Installation Guide



Models Covered:

Lynton Furniture
Lynton Basins

Please keep this booklet for future reference.

Installer: When you have read these instructions, please ensure you leave them with the user.

INTRODUCTION

Thank you for buying a Heritage Product. When you buy a Heritage product, you can be confident that it not only features a beautiful, distinctive, classic design, but that it has also been made to the very highest quality standards.

To ensure that it works to its full potential, it needs to be fitted correctly.

These fitting instructions have been created to give you all of the information you need and, if you need any further help, please do not hesitate to give us a call on: 0330 026 8503.

CONTENTS

SAFETY NOTES	3
TOOLS REQUIRED	3
INSTALLER GUIDELINES	4
INSTALLATION - WC UNIT	5
INSTALLATION - WC LIDS	6
INSTALLATION - FREESTANDING & WALL HUNG TALL CABINETS	7-9
INSTALLATION - WALL HUNG CLOAKROOM UNIT	10-11
INSTALLATION - WALL HUNG CABINET	12-13
INSTALLATION - FREESTANDING CLOAKROOM UNIT	14-15
INSTALLATION - FREESTANDING CABINET	16-17
DRAWER REMOVAL	17
DRAWER ADJUSTMENTS	18
INSTALLATION - BASINS	19
INSTALLATION - HINGES	20
HINGE ADJUSTMENTS	21
CARING FOR YOUR PRODUCT	22
GUARANTEE	22
NEED HELP?	23



SAFETY NOTES

Please make sure you read these instructions and retain for future use. All products manufactured by Heritage Bathrooms are safe, providing they are installed and used correctly and also receive maintenance when needed.

Basins, including the connection water and waste system need to be installed in accordance with and meet the requirements of the Water Supply Regulations 1999 (Water Fittings) and current by-laws.

If you are in any doubt about your ability to install this product safely you must employ the services of a competent person who has experience of fitting products of this nature.

This product must not be modified in any way otherwise this will invalidate the guarantee.

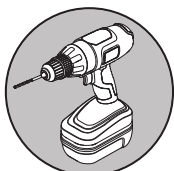
Consider the following whilst using power tools:

- Prior to drilling into walls, check there are no hidden electrical cables or wires and there are also no water pipes. These can potentially be found using an electrical or metal detector. You may also need to know some of the schematics of previous installations to determine the suitability and accommodation of the installation.
- Wear the correct PPE, especially ear, eye and hand protection when using power tools. Unplug any mains equipment after use.
- Keep electrical equipment away from sources of water.

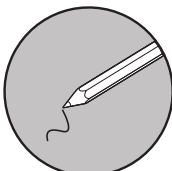
Furniture and basins can be very heavy; a lifting aid or second person at minimum will be required to manoeuvre safely.



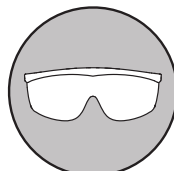
TOOLS REQUIRED



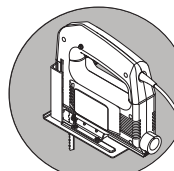
Electric Drill



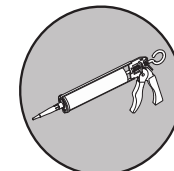
Pencil



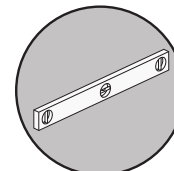
Safety Goggles



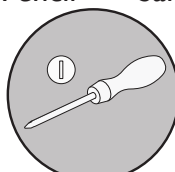
Jigsaw



Silicon Sealant



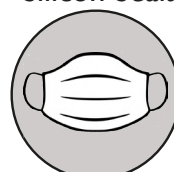
Spirit Level



Flat Screwdriver



Cross Screwdriver



Ventilation Mask



INSTALLER GUIDELINES

The installation of these products greatly depends on the floor and wall being level. If this is not the case, it must be corrected before installation.

Installing this product requires experience within plumbing. No responsibility will be taken for poor workmanship resulting in leaks and injuries. Please ensure that the installation and accommodation is designed with future serviceability of the product in mind. It is strongly advisable to fit isolation valves before the water fixtures in case isolation is required at any point during maintenance.

Failure to observe crucial information in these fitting instructions will nullify your guarantee. In the event a future claim is made under the product warranty, compensation costs may be affected if the ability to service the product has not been considered in the original design.

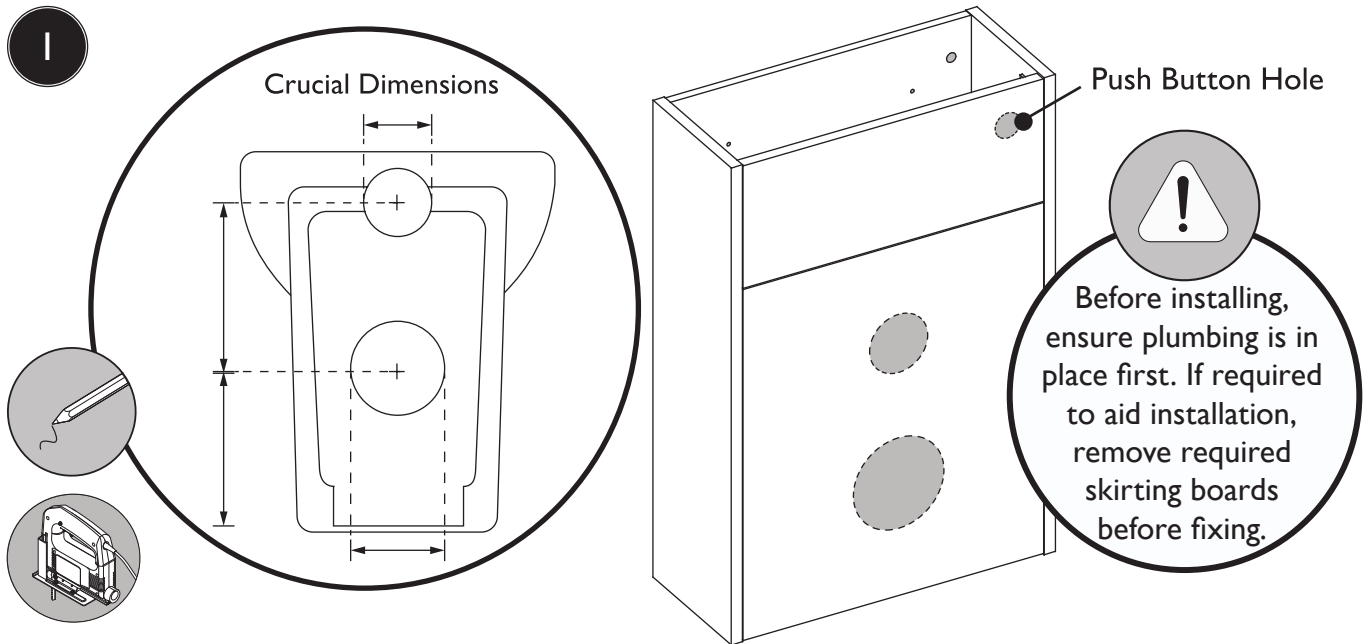
The furniture in this booklet comes mostly assembled. Shelves will need to be installed once furniture is in position and fixed. Wall Cabinets need to be fitted to solid walls capable of some load bearing. Use wall fixings suitable for your wall construction (not supplied). Plasterboard or stud walls can be screwed directly into timber frame, but may require specialist fixings to secure the furniture. Appropriate wall plugs will need to be used for any masonry walls. Please Note: Your furniture is not a load bearing fixture after installation. Make sure appropriate fixings are used to secure, and to ensure the weight is supported.

Consider and plan the installation of your basin taps and waste while installing the basin. They may have to be pre-fitted before fitting the basin to the furniture unit. Careful planning is also required to ensure the waste and water supply pipes are contained within the confines of the unit.

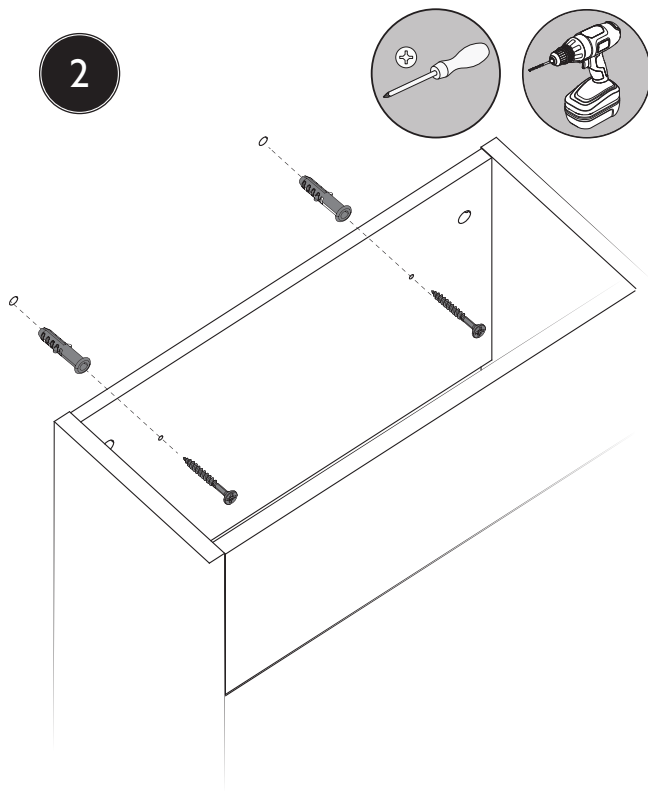
Please Note: taps and wastes are supplied separately. Please follow those instructions for information on how to prepare for installation. Do not over-tighten taps and wastes to the basin as this may damage the ceramic surface. Place your basin on a soft surface to prevent scratches and damage during installation.



INSTALLATION - WC UNIT



The WC unit fascia is not pre-cut. Using your toilet pan as a guide, cut out necessary areas to allow for installation. Take these crucial dimensions and cut out accordingly. The cistern push button should be installed in the upper fascia (measure the button before cutting). Seal cut out areas using a suitable sealant to prevent water ingress.



Fasten the unit to the wall using suitable fixings (not supplied) through the back of the brace unit.

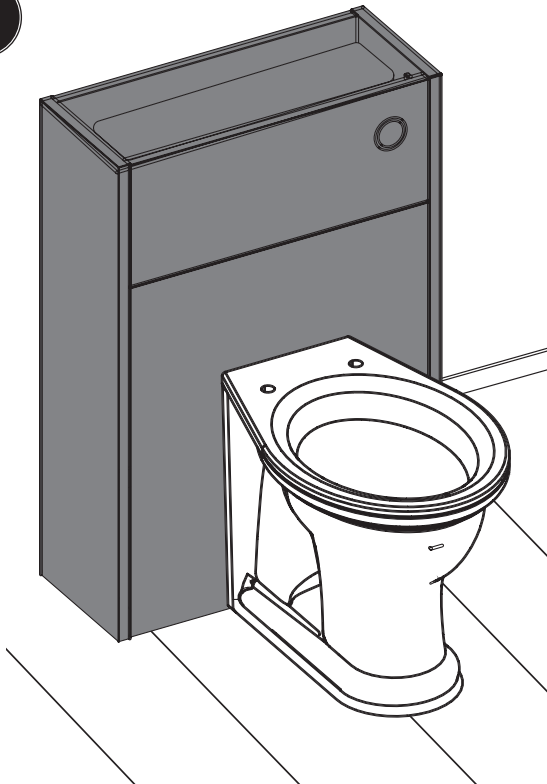


INSTALLATION - WC LIDS

Your WC Unit comes supplied with a painted lid - this can be fitted, or you have the option to purchase a separate worktop for your bathroom. Both will follow the same installation steps. Scan the QR code below to check on our website, to see the available worktops in our range.

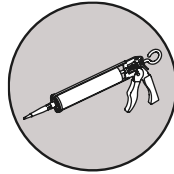


1



Once the sanitaryware is fitted, turn on the water supply and check all joints and connections for any leaks.

2



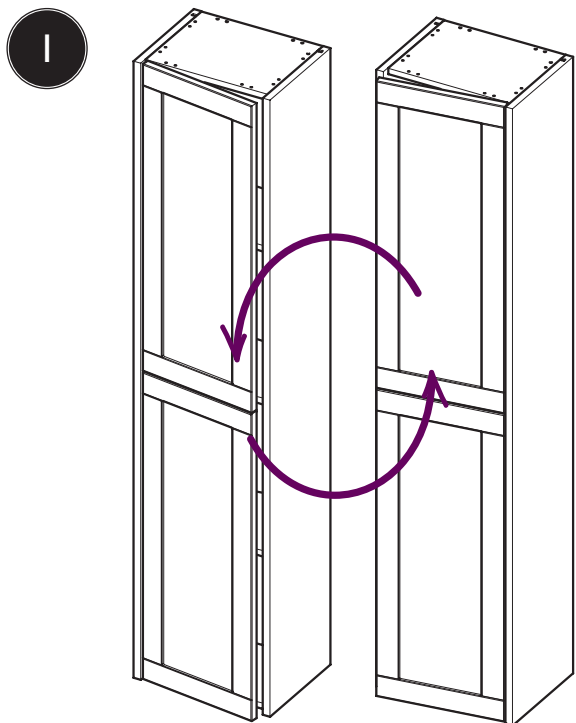
Apply silicone sealant along the furniture unit before placing the worktop. Carefully place the worktop on the unit and secure in place. Once the worktop is in the correct position, apply silicone sealant along the back of the worktop. This will prevent any water from getting behind the unit. Wipe any excess sealant with a soft, damp cloth.

TOP TIP!

The top panel on the unit is removable. To access, break the sealant on the worktop and remove. The front panel will push out.



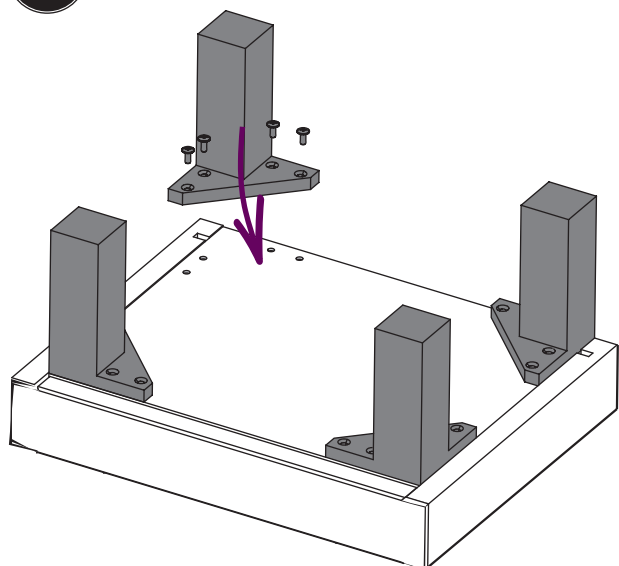
INSTALLATION - FREESTANDING & WALL HUNG TALL CABINETS



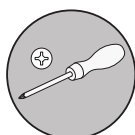
If required to aid installation, remove required skirting boards before fixing.

Our tall cabinets give you the option to fit the door left or right handed by changing the orientation of the unit.

2 FREESTANDING UNITS ONLY

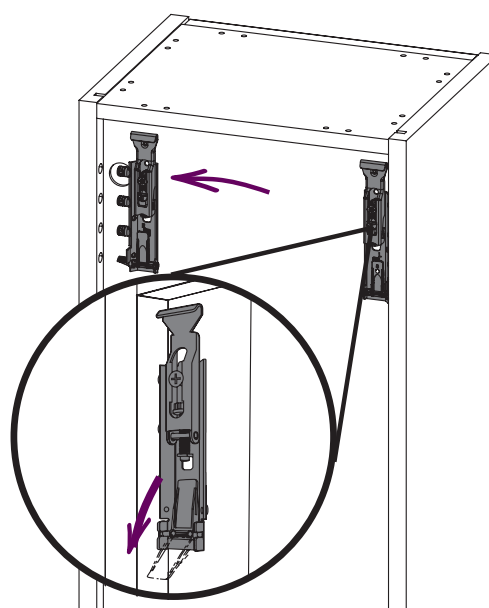


Once the orientation of the cabinet has been decided; attach the legs to the bottom of the unit using the screws provided.



3

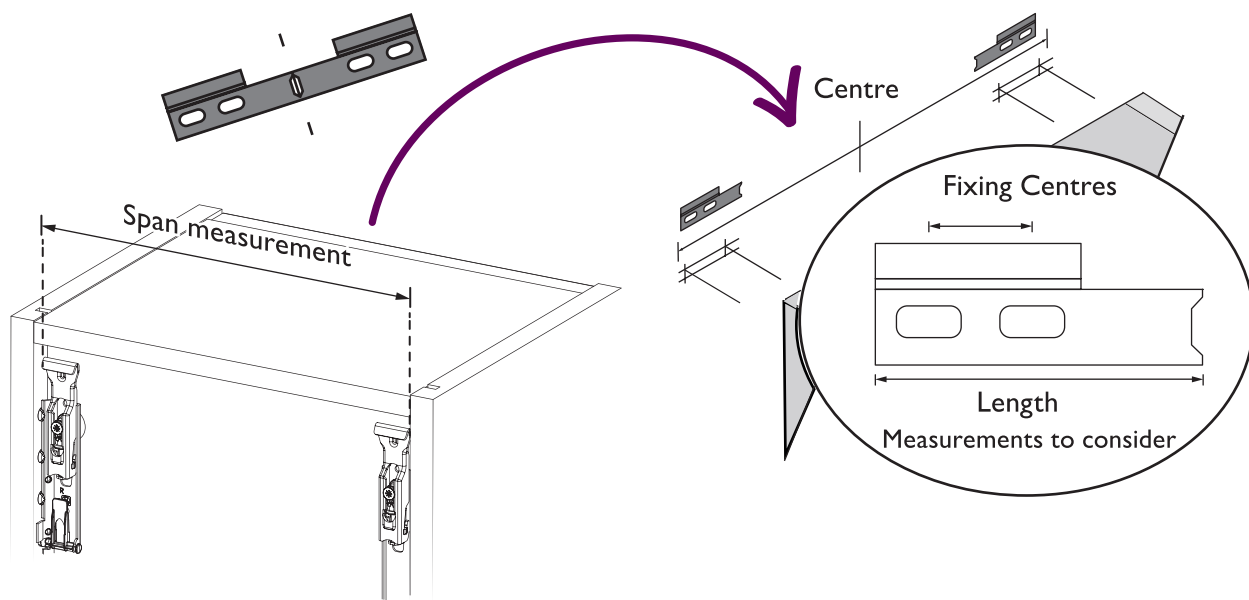
Both the freestanding and wall hung cabinets must be fixed to the wall. Push the wall brackets into the holes that are on the top inner sides of the back on the unit. Pull down the levers to lock in place.



INSTALLATION - FREESTANDING & WALL HUNG TALL CABINETS

4

Snap the wall plate in half.

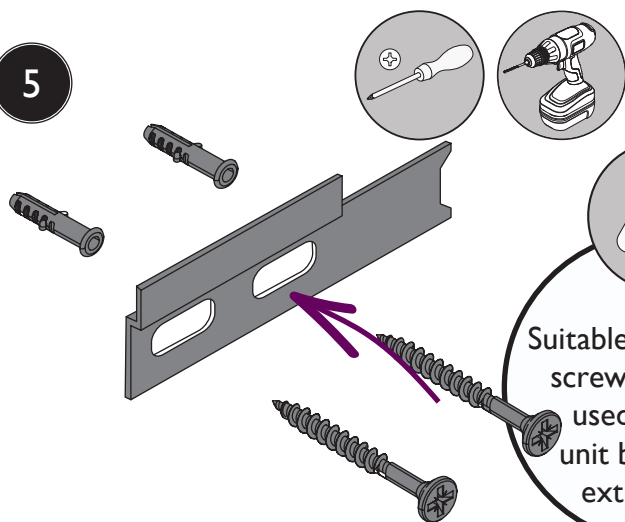


Determine the position of the cabinet, and mark a vertical centre point on the wall.

Measure the span of the brackets and transfer the measurement on the wall.

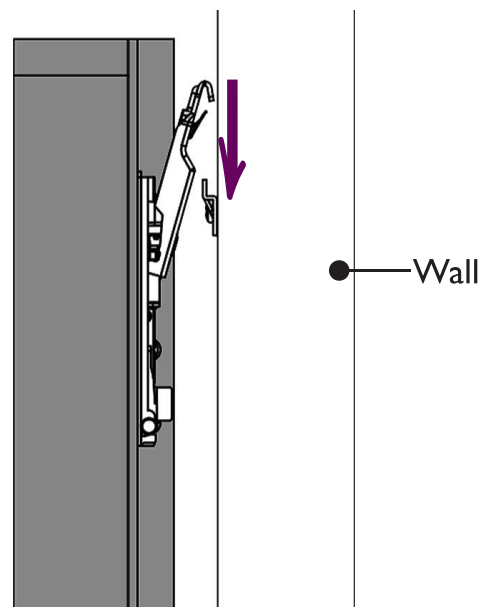
From this, measure out from the centre point to give a central position for the cabinet.

5



6

Suitable load bearing screws should be used with the unit bracket for extra safety.



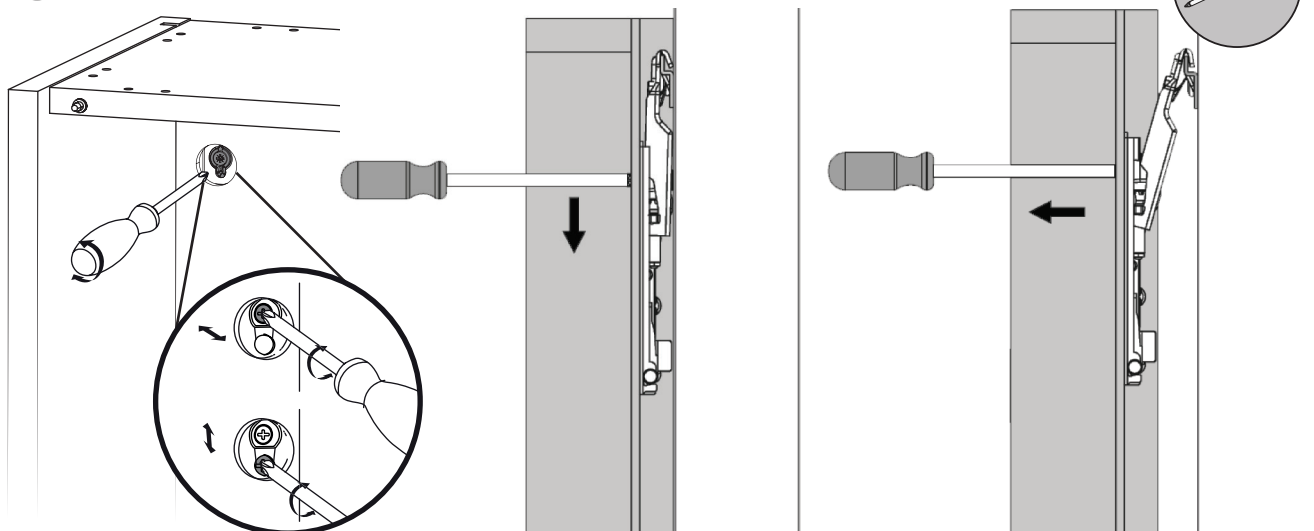
Fit the wall plates to the wall using appropriate fixings (not supplied). Use a long spirit level to make sure levelling is accurate. Plates should not be any further apart than the spanned measurement of the wall hanging brackets.

Hang the cabinet on the wall plates by adjusting the brackets to allow enough of the hanger to protrude and hook on to the plate.



INSTALLATION - FREESTANDING & WALL HUNG TALL CABINETS

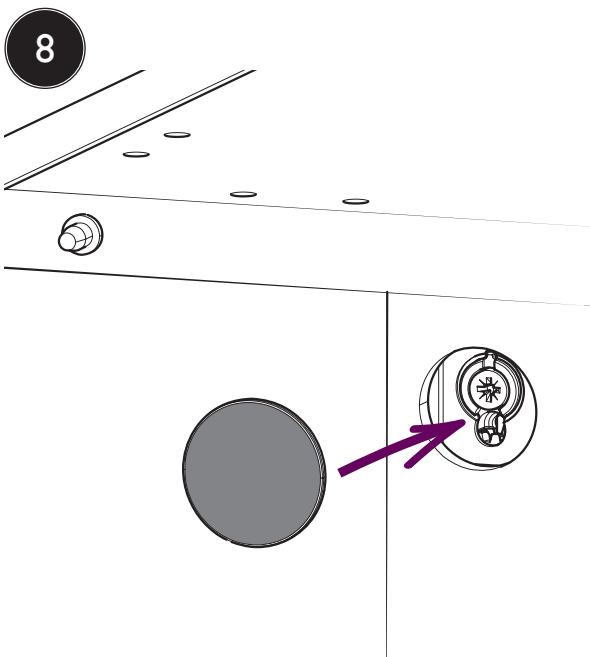
7 WALL BRACKET ADJUSTMENT



The wall brackets can be adjusted from inside the unit. Turn the top adjustment screw to adjust the unit front to back. This allows the unit to tilt forwards or backwards from the wall to lock on to the wall plates.

Insert the screwdriver into the hole below the top screw to move the unit up or down.

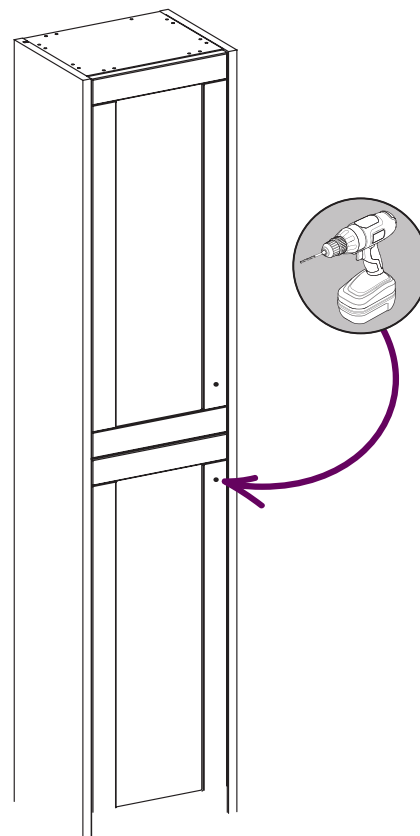
By adjusting at both sides the unit can be levelled.



Once adjustments have been completed, the covering caps can be pressed on to conceal all holes.


9

Once suitable handles have been chosen (not supplied); holes will need to be drilled to fit them.



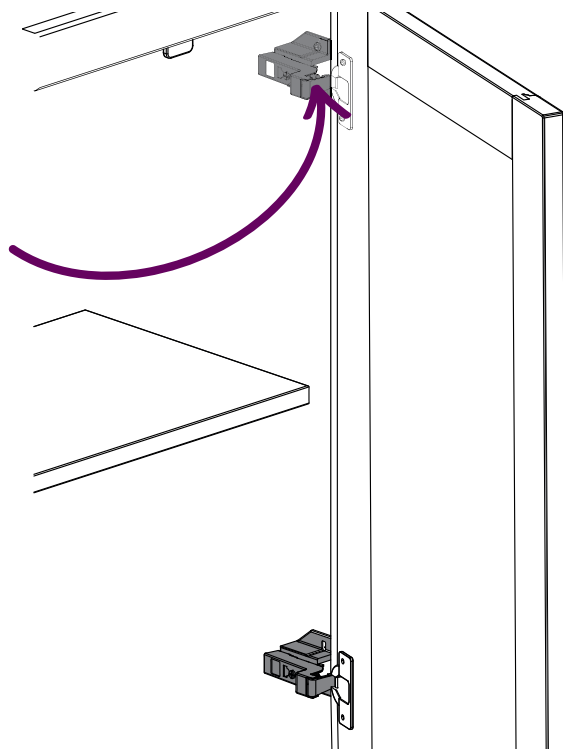
INSTALLATION - WALL HUNG CLOAKROOM UNIT

1

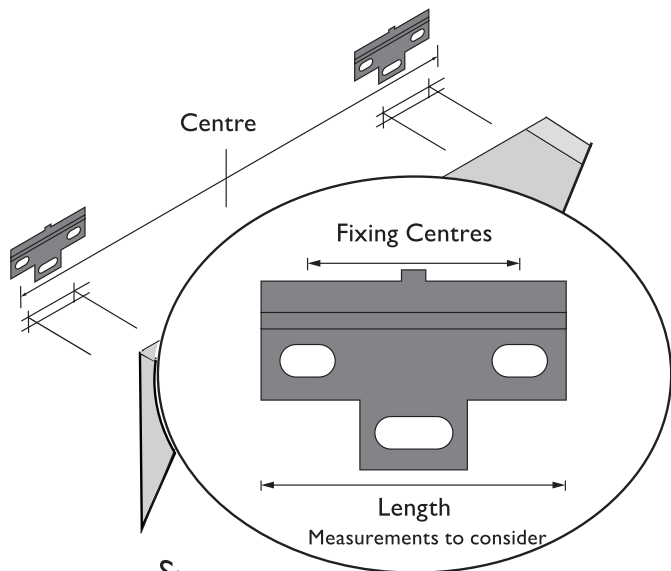


Before installing, ensure plumbing is in place first. Ensure plumbing will fit in the confines of the cabinet.

Fit the mounting plate on for the desired orientation of your door. Secure on the inside using the screws supplied. To fit the hinges, go to the hinge section.

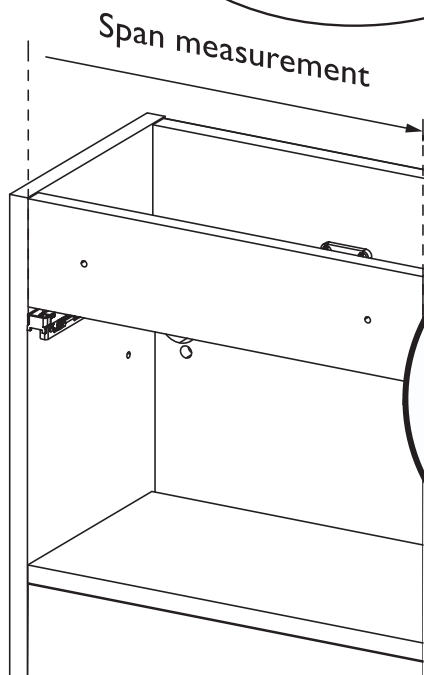


CRUCIAL MEASUREMENTS



2

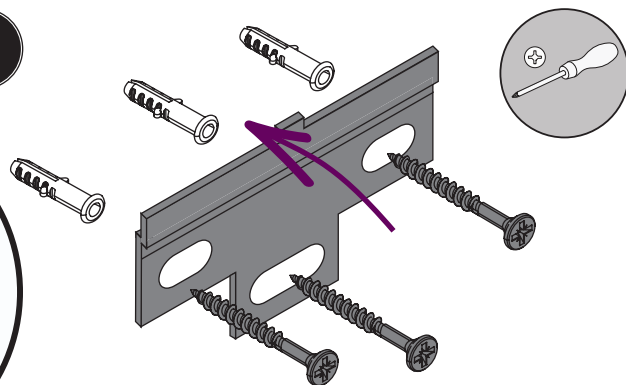
Determine the position of the cabinet and mark a vertical centre point on the wall. Use a spirit level to make sure levelling is accurate. Measure the span of the pre-fitted brackets and transfer the measurement on to the wall. Measure out from the centre point to give a central position for the cabinet.



3

IMPORTANT

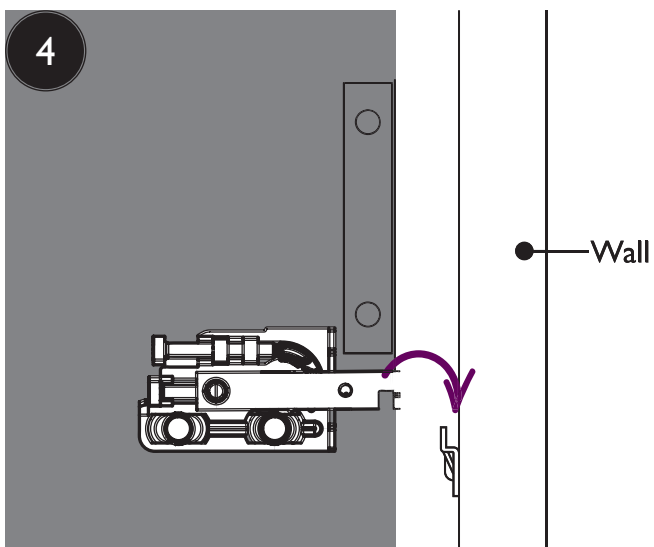
Suitable load bearing screws should be used with the wall hung brackets for extra safety.



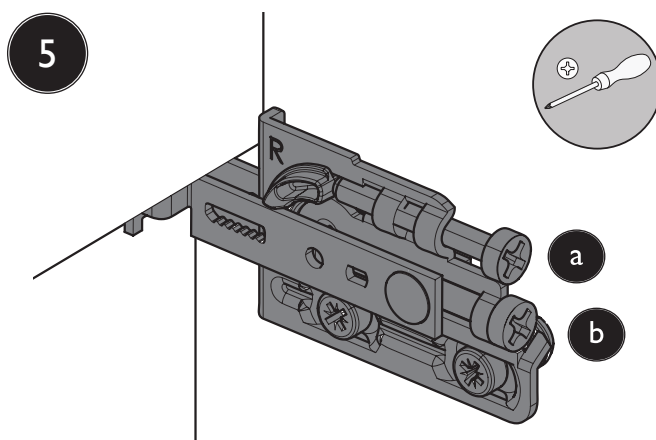
Fit the wall plates to the wall using suitable fixings (not supplied). Plates should not be further apart than the spanned measurement of the wall hanging brackets.



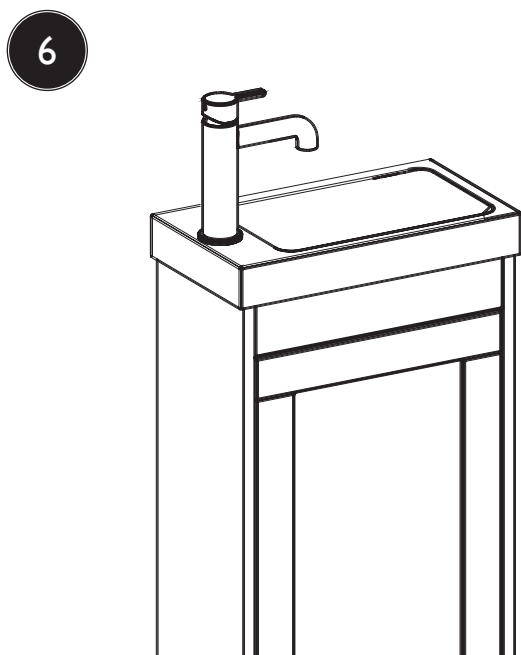
INSTALLATION - WALL HUNG CLOAKROOM UNIT



Hang the cabinet in position on the wall plates.



Use the two screws shown above to adjust the wall brackets. The top screw (a) adjusts unit height. The bottom screw (b) adjusts the unit projection from the wall and locks the unit on to the wall plates.



Go to the basin installation steps to install the basin to the furniture unit. Turn on the water supply to check all joints and connections for any leaks.



TOP TIP!
Door hinges can be adjusted. Go to the Hinge Adjustment section to find out more.

Once suitable handles have been chosen (not supplied), holes will need to be drilled to fit them.

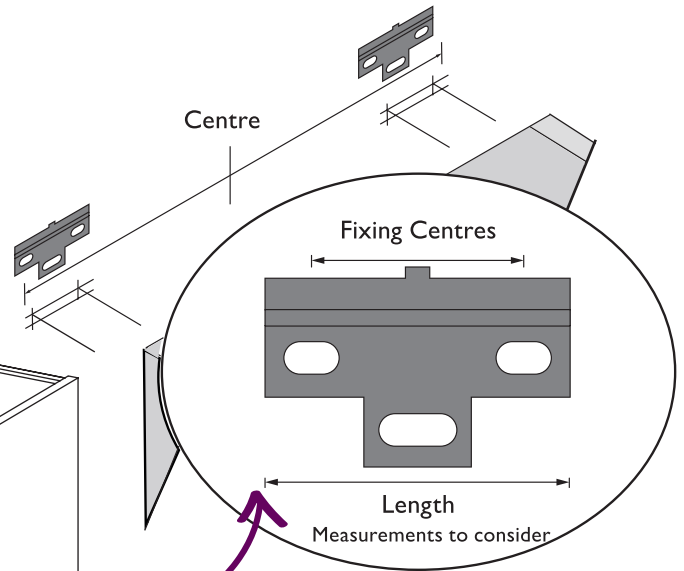


INSTALLATION - WALL HUNG CABINET

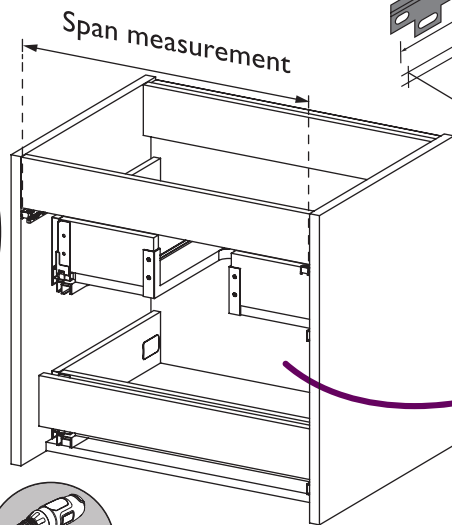
1

Determine the position of the cabinet and mark a vertical centre point on the wall. Use a spirit level to make sure levelling is accurate. Measure the span of the pre-fitted brackets and transfer the measurement on to the wall. Measure out from the centre point to give a central position for the cabinet.

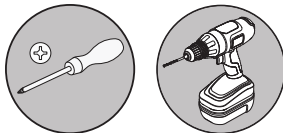
CRUCIAL MEASUREMENTS



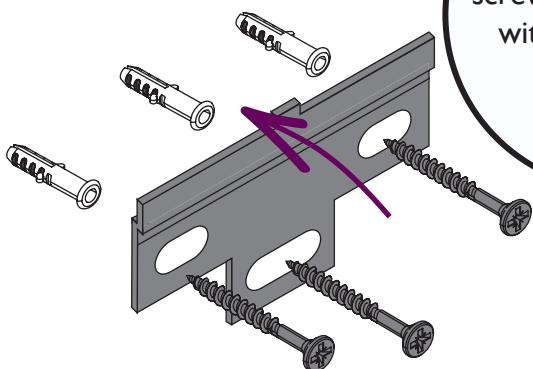
Before installing, ensure plumbing is in place first. Ensure plumbing will fit in the confines of the cabinet.



2



Fit the wall plates to the wall using suitable fixings (not supplied).



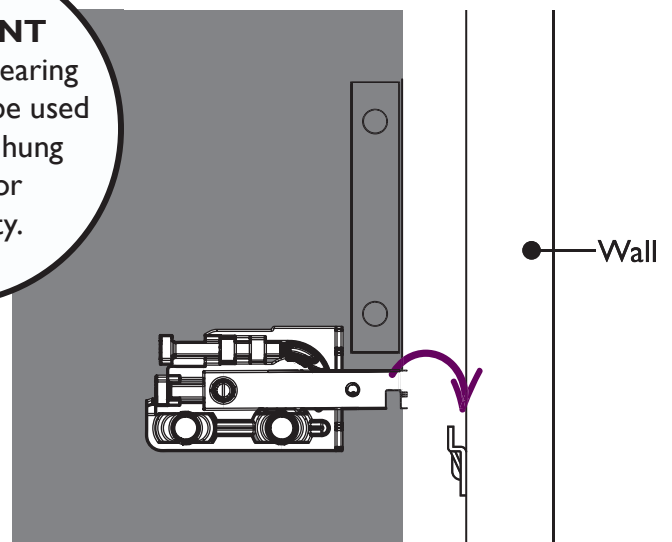
Plates should not be further apart than the spanned measurement of the wall hanging brackets.



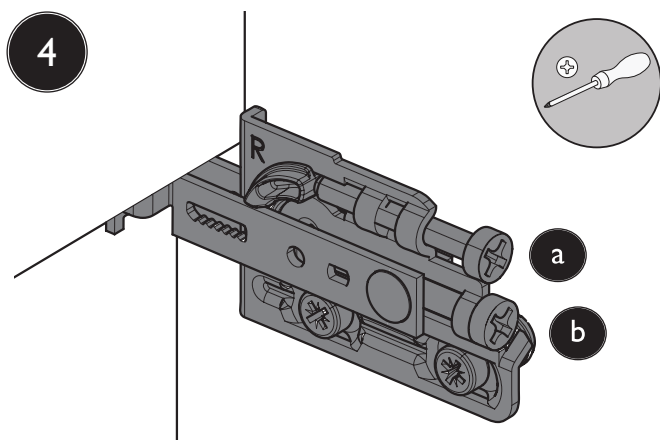
3

IMPORTANT
Suitable load bearing screws should be used with the wall hung brackets for extra safety.

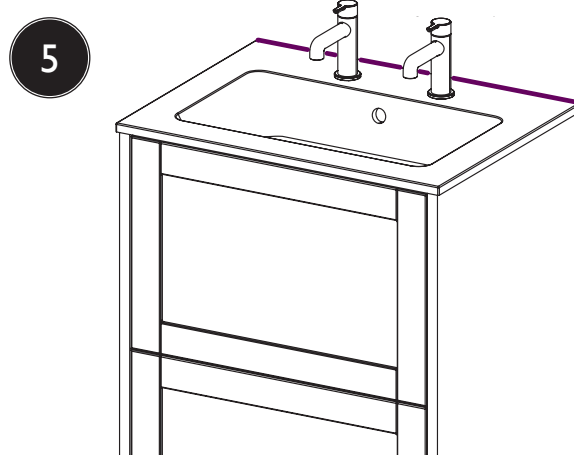
Hang the cabinet in position on the wall plates. You can remove the drawers to aid installation - see the Drawer Removal section for more details.



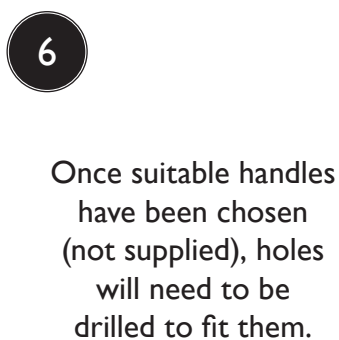
INSTALLATION - WALL HUNG CABINET



4 Use the two screws shown above to adjust the wall brackets. The top screw (a) adjusts unit height. The bottom screw (b) adjusts the unit projection from the wall and locks the unit on to the wall plates.

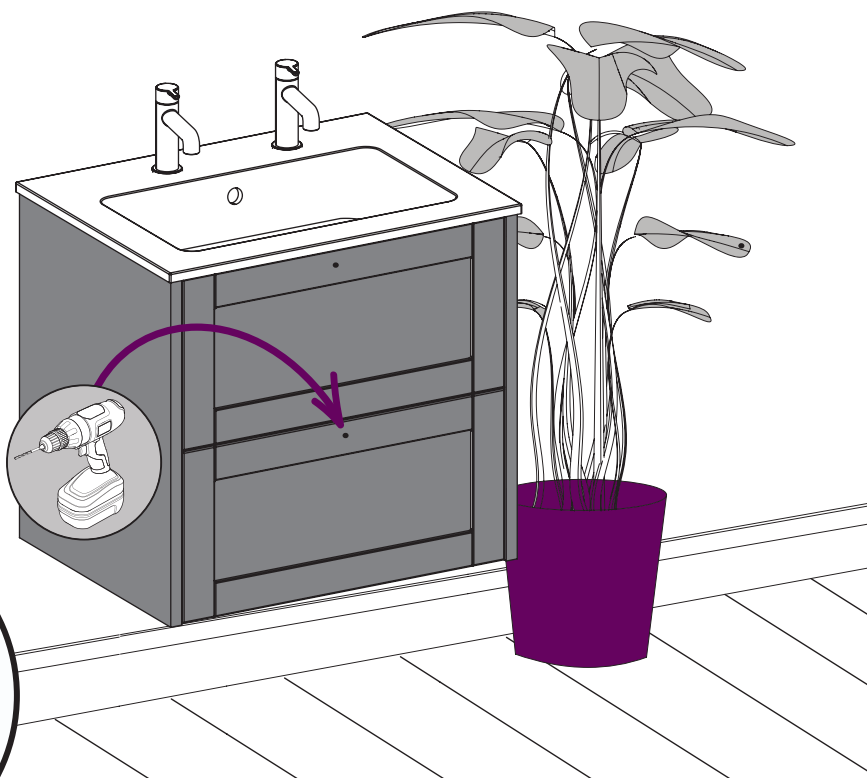


5 Go to the basin installation steps to install the basin to the furniture unit. Turn on the water supply and check all joints and connections for any leaks.



6 Once suitable handles have been chosen (not supplied), holes will need to be drilled to fit them.

TOP TIP!
Drawers can be removed and adjusted. Go to the Drawer Adjustment section to find out more.



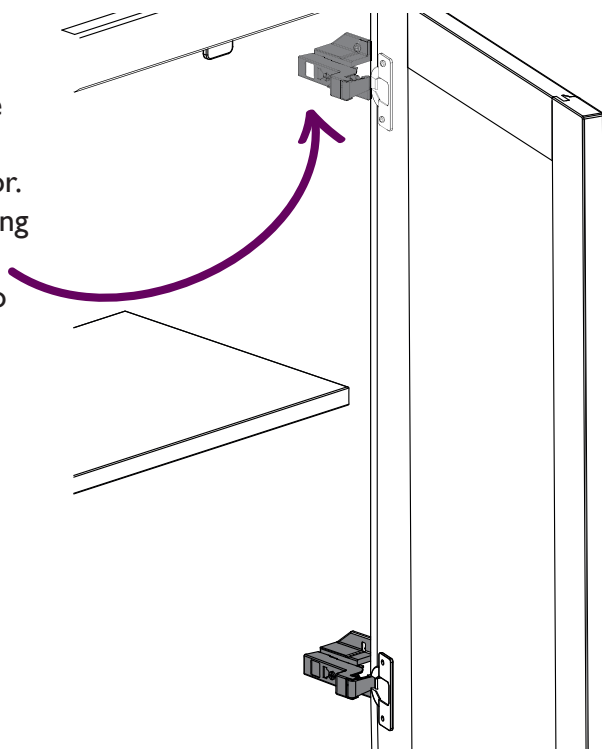
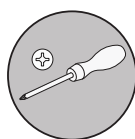
INSTALLATION - FREESTANDING CLOAKROOM UNIT

1



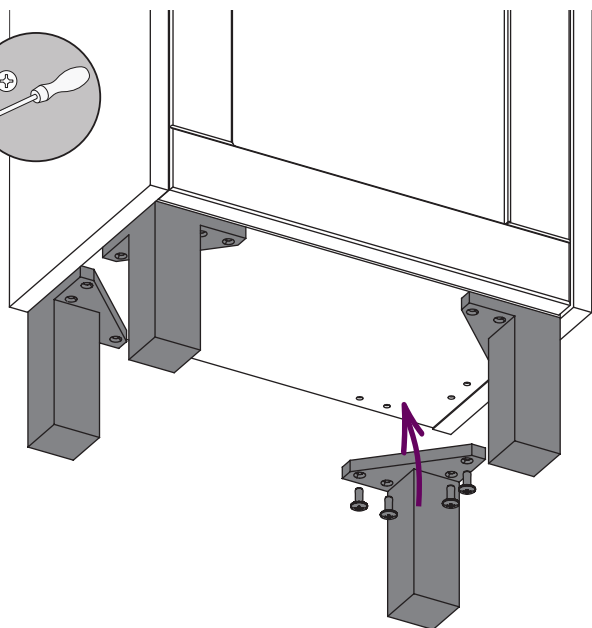
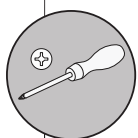
Before installing, ensure plumbing is in place first. If required to aid installation, remove required skirting boards before fixing.

Fit the mounting plate on for the desired orientation of your door. Secure on the inside using the screws supplied. To fit the hinges, go to the hinge section.



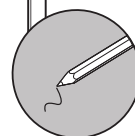
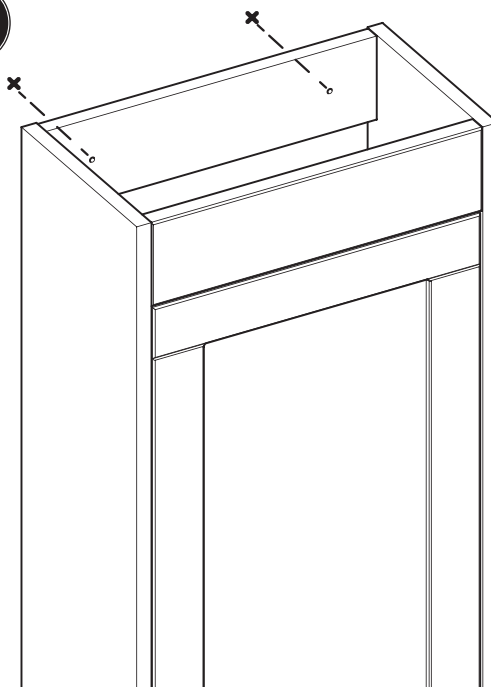
2

Attach the legs to the bottom of the unit using the screws provided.

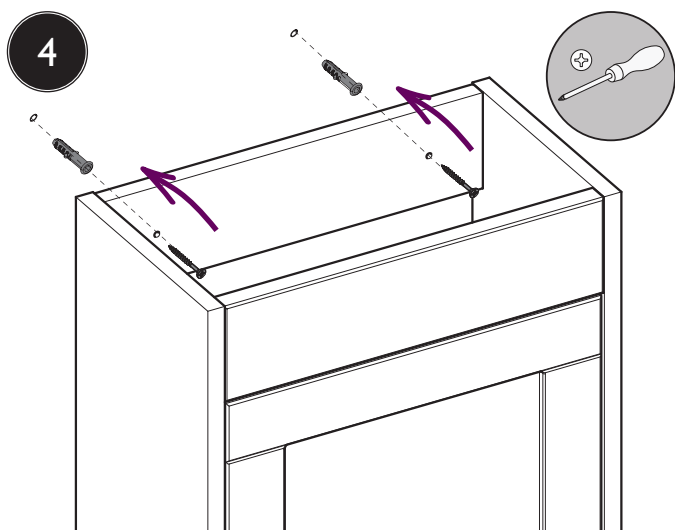


3

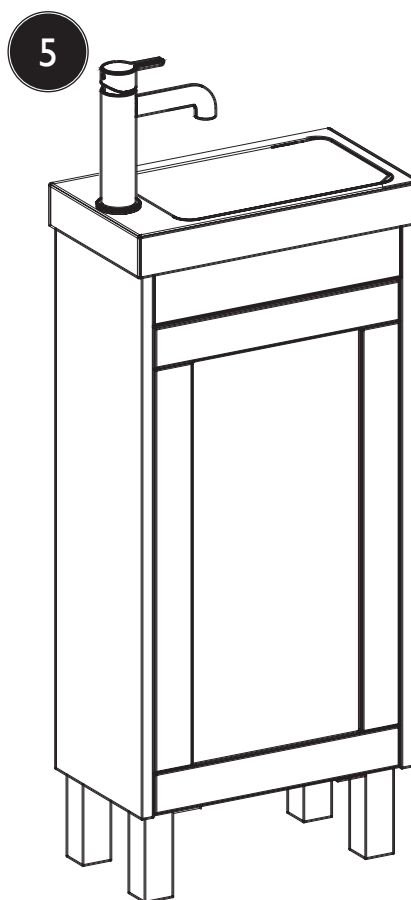
Position the cabinet in the required location. Check with a spirit level to ensure the unit is level, and mark where the pilot holes are on the back brace, on to the wall.



INSTALLATION - FREESTANDING CLOAKROOM UNIT



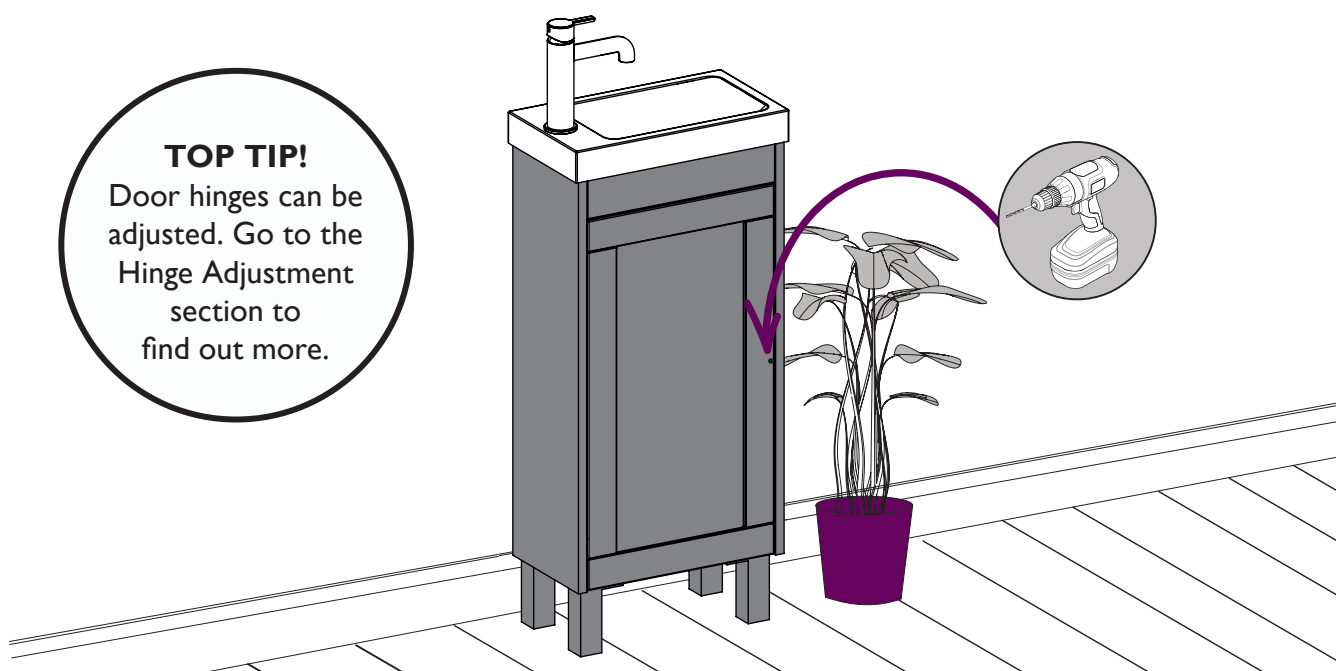
Fasten unit to the wall using suitable, load bearing screws (not supplied) through the back brace of the unit.



Go to the basin installation steps to install the basin to the furniture unit. Turn on the water supply and check all joints and connections for any leaks.

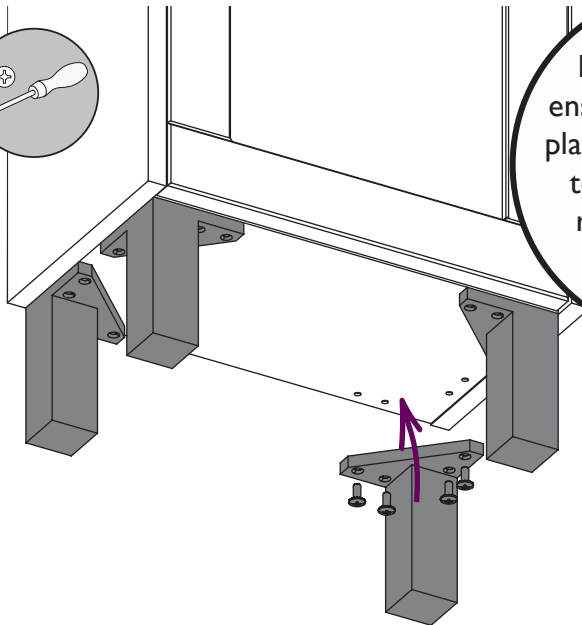
6 Once suitable handles have been chosen (not supplied), holes will need to be drilled to fit them.

TOP TIP!
Door hinges can be adjusted. Go to the Hinge Adjustment section to find out more.



INSTALLATION - FREESTANDING CABINET

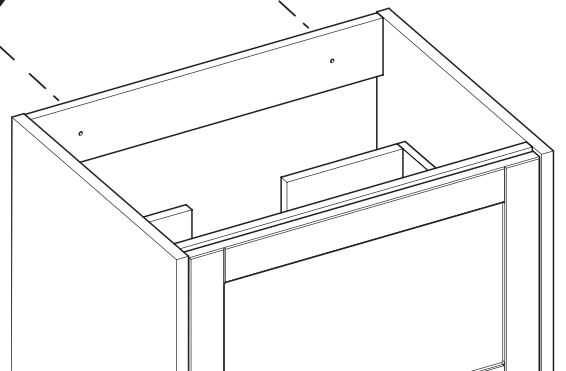
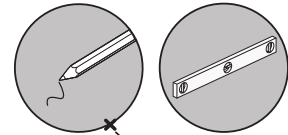
1 Attach the legs to the bottom of the unit using the screws provided.



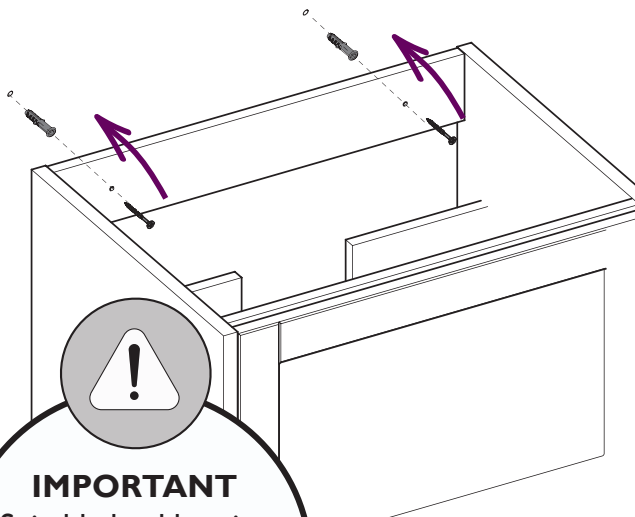
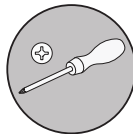
Before installing, ensure plumbing is in place first. If required to aid installation, remove required skirting boards before fixing.

2

Position the cabinet in your required location. Check to ensure the product is straight and mark the fixing holes on to the wall.



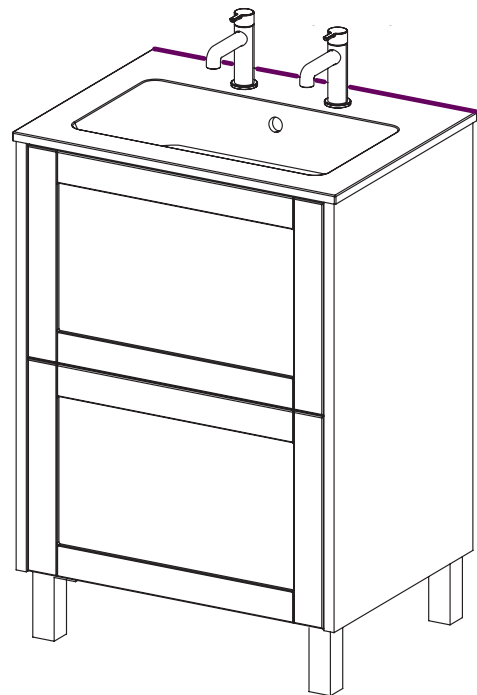
3 Fasten the unit on to the wall through the back brace of the unit using appropriate fixings (not supplied).



IMPORTANT

Suitable load bearing screws should be used with the unit for extra safety.

4

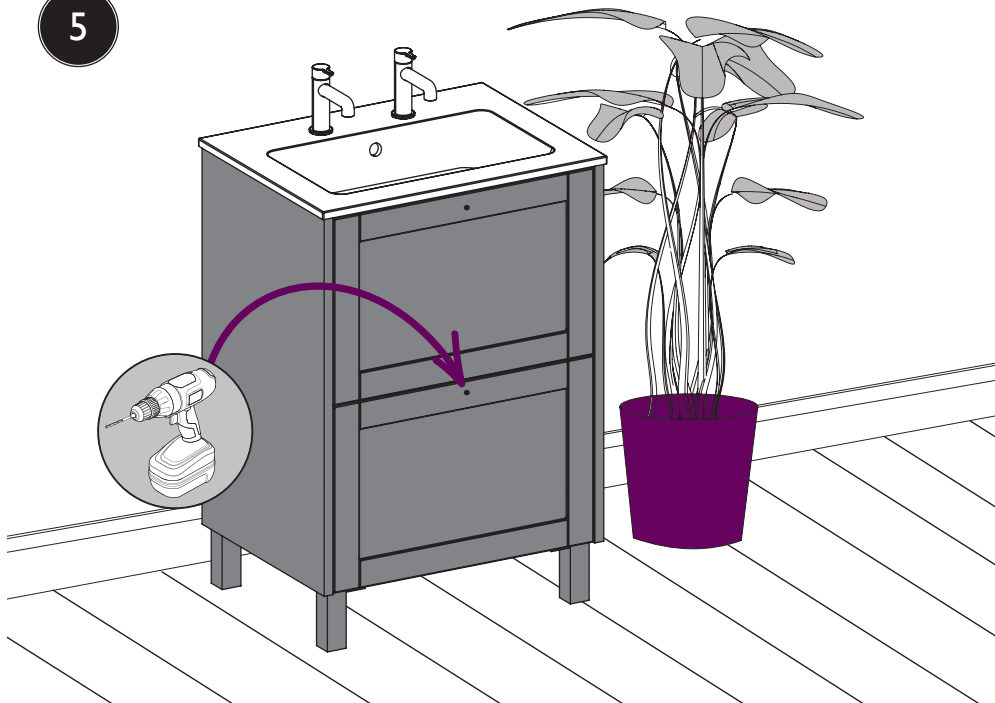


Go to the basin installation steps to install the basin to the furniture unit. Turn on the water supply and check all joints and connections for any leaks.



INSTALLATION - FREESTANDING CABINET

5



Once suitable handles have been chosen (not supplied), holes will need to be drilled to fit them.

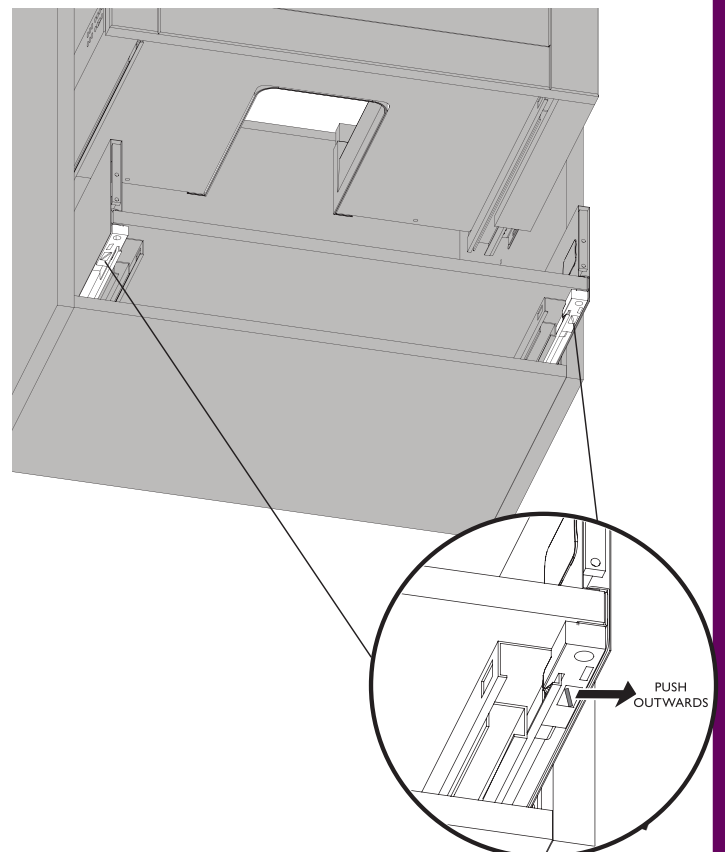
TOP TIP!

Drawers can be removed and adjusted. Go to the Drawer Adjustment section to find out more.

DRAWER REMOVAL

Locate the grey tabs, one each side underneath the drawer and push both outwards at the same time to release.

Gently pull the drawer off and out of the unit. For fitting back into place, the drawer can be placed directly on top of the rails and pushed in until a click is heard.



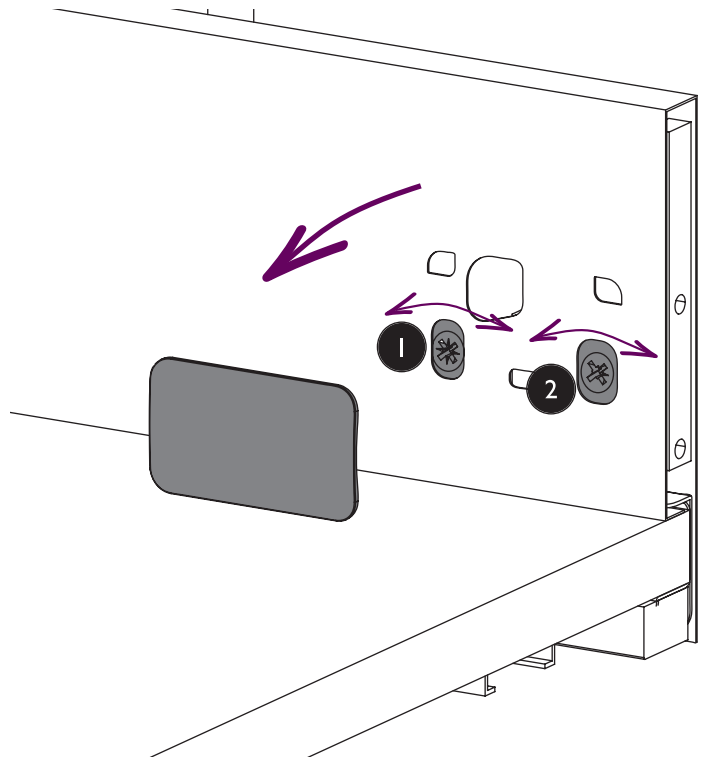
DRAWER ADJUSTMENTS

Drawer Adjustments

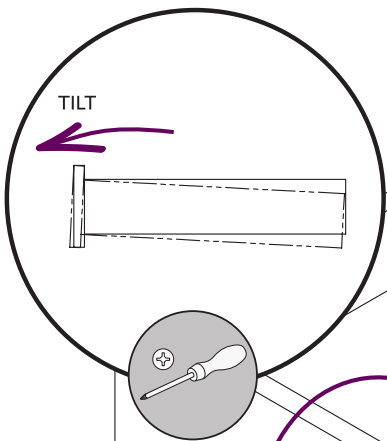
Remove grey cover on the inside of the drawer.

Turn screw 1 to adjust the height of the drawer.

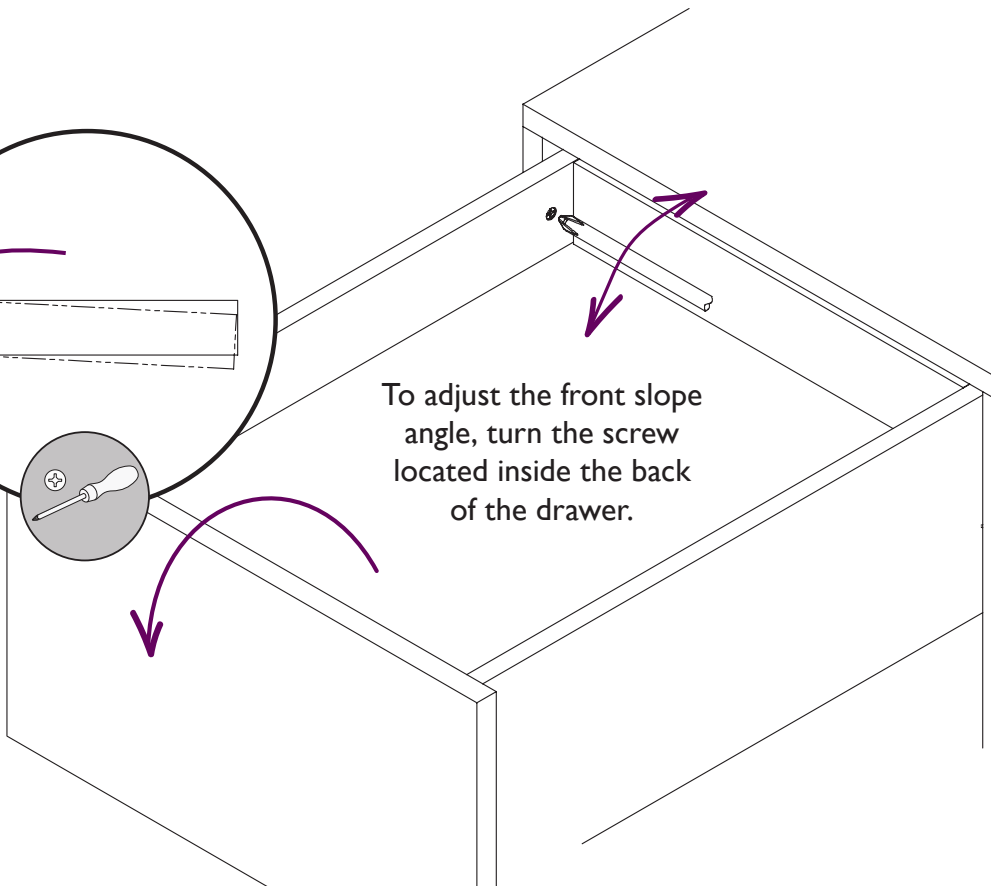
Turn screw 2 to adjust the drawer from left to right.



Drawer Slope Adjustment

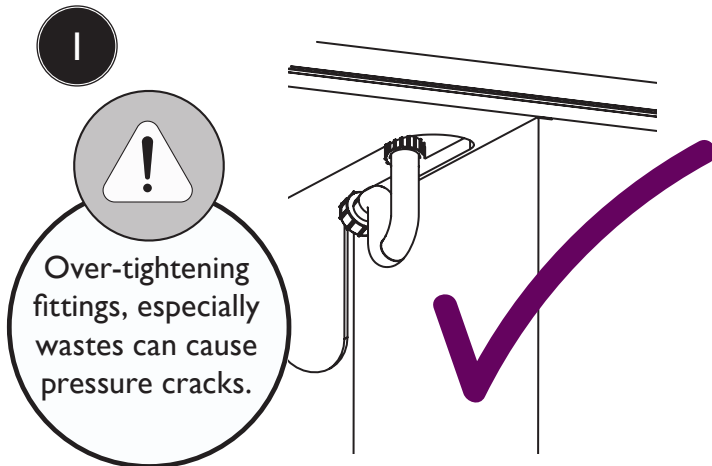


To adjust the front slope angle, turn the screw located inside the back of the drawer.



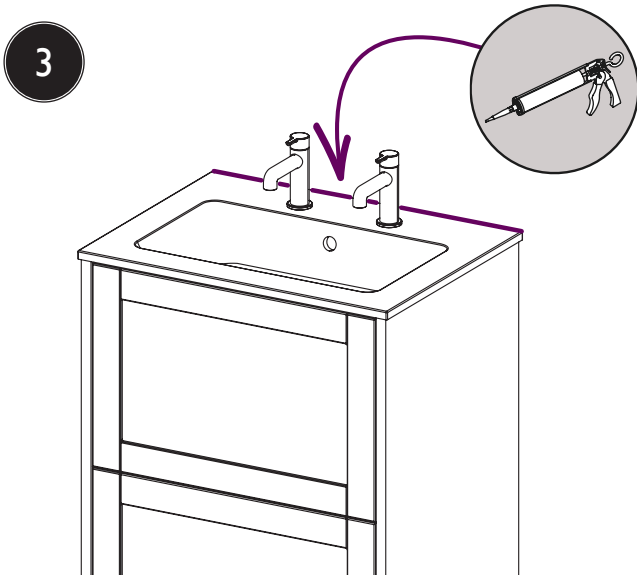
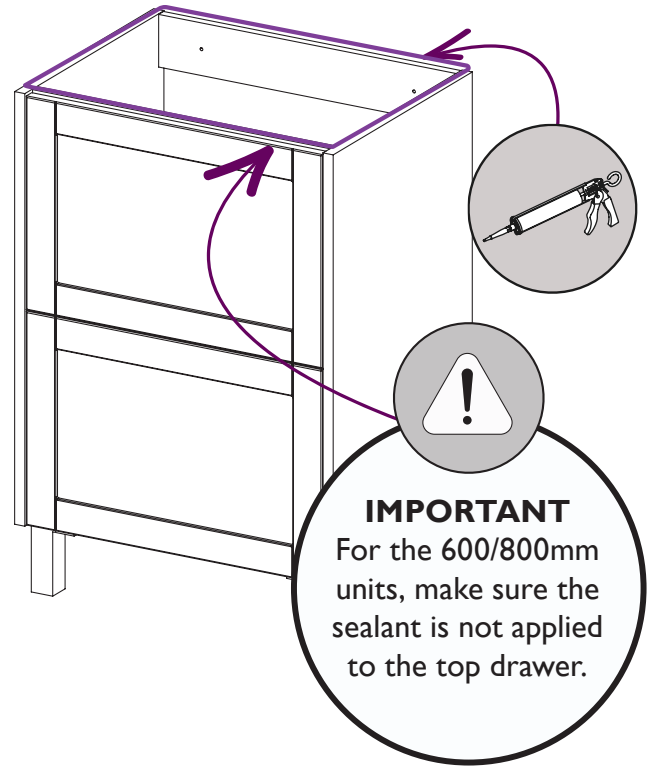
INSTALLATION - BASINS

All Lynton basins can be fitted using the guide below. Basins are available with no holes, 1, 2, or 3 holes pre-drilled. Cloakroom basins are available with 1 tap hole.

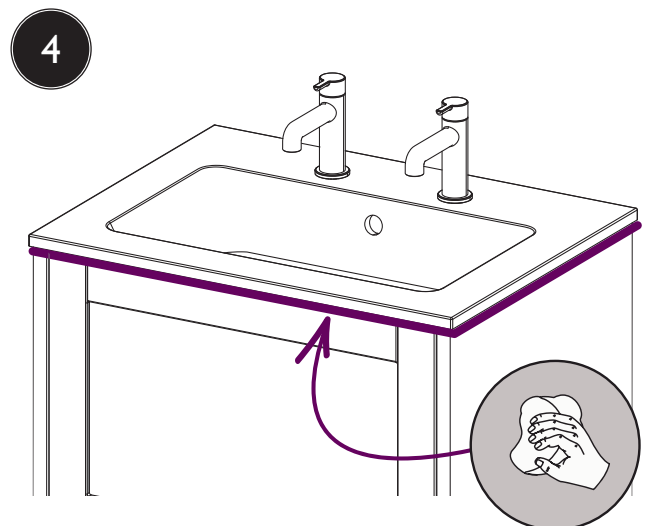


First, refer to your tap and waste instructions (not included) to fit them to the basin. 600/800mm basins come supplied with an overflow kit. Refer to the instructions on the overflow kit packaging for installation. Access the waste connections via the main doors/drawers of the furniture unit.

2 Once your Lynton basin is ready to install, apply silicone sealant along the furniture unit.



Carefully place the basin on the unit and secure in place. Once the unit is in the correct position, apply silicone sealant along the back of the basin. This will prevent any water from getting behind the unit.

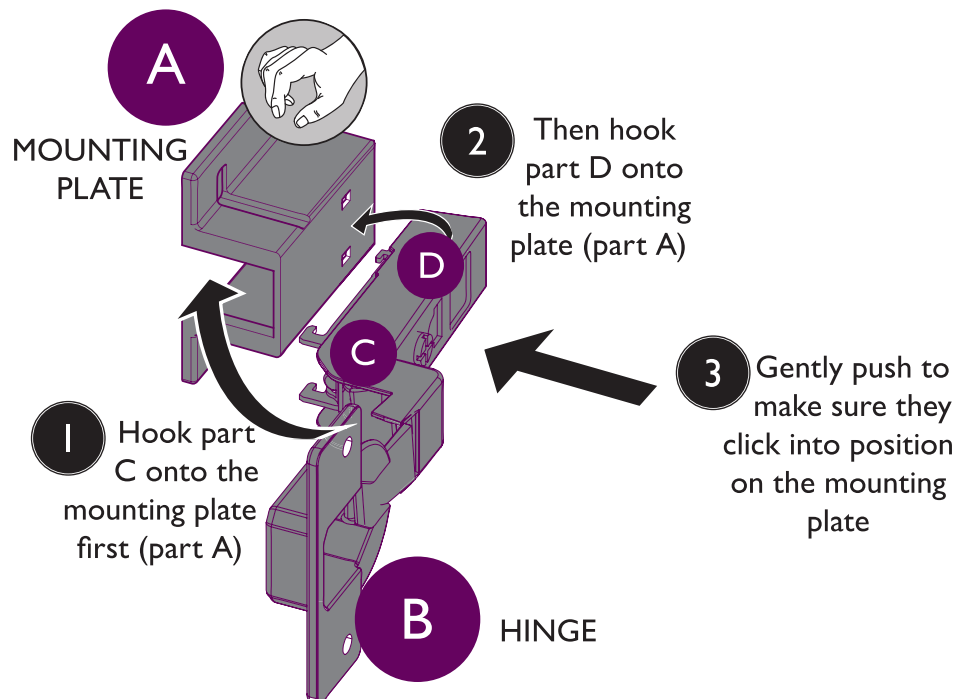
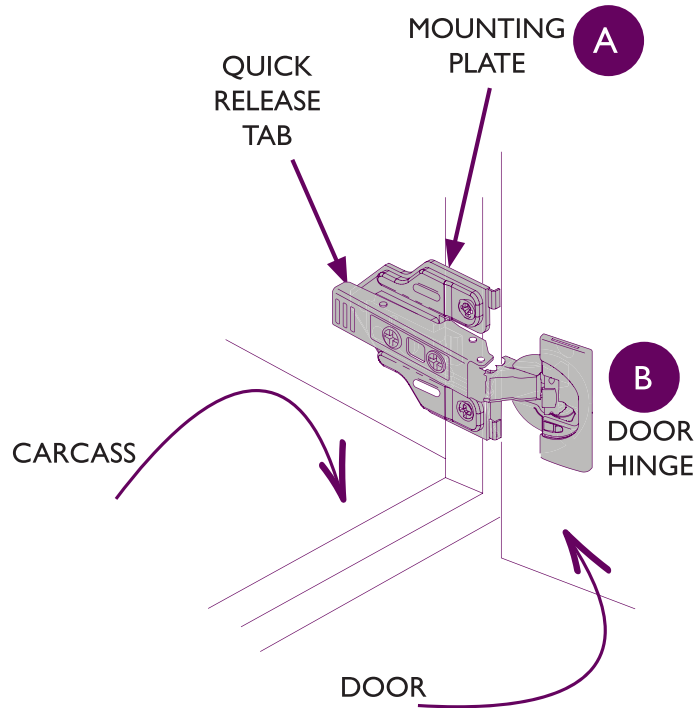


Immediately wipe any excess silicone sealant with a soft, damp cloth. Leave to cure.



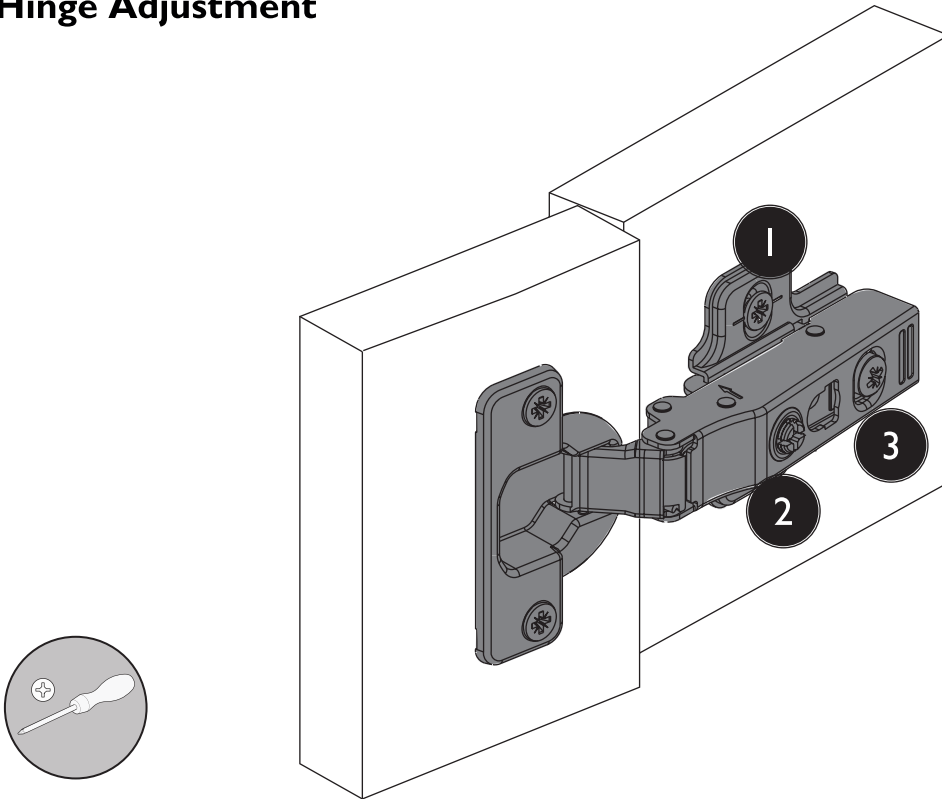
INSTALLATION - HINGES

FITTING HINGE ONTO MOUNTING PLATE

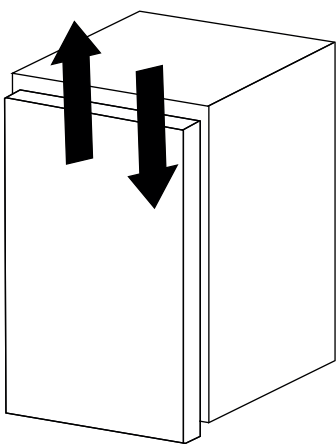


HINGE ADJUSTMENTS

Hinge Adjustment

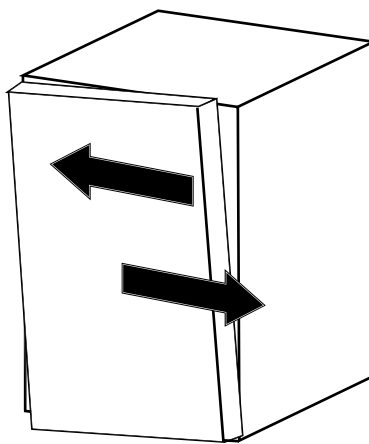


1



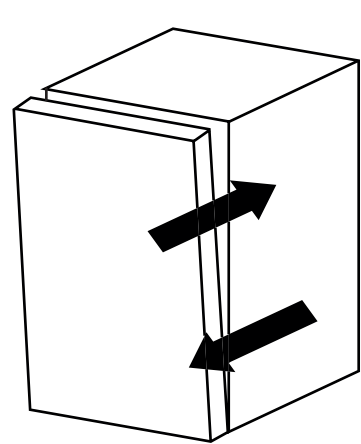
To adjust the door up and down tighten/loosen screw 1 on the mounting plate.

2



To adjust the doors side to side tighten/loosen screw 2.

3



To adjust the door forwards and backwards tighten/loosen screw 3.



CARING FOR YOUR PRODUCT

Furniture and Basins

Your fittings have high quality finishes and should be treated with care to preserve the visible surface.

A few tips for preventing defects from forming:

- When installing taps, do not over-tighten as this may damage the basin
- Take care when adjusting the tap and basin position, this may result in scratching.
- Sliding hard/sharp objects (cups, bottles etc.) across the surface may result in scratching

Occasionally wipe the surface with a soft, damp cloth and dry with a dry cloth. Wipe away any spillages or excess moisture immediately. Do not use any abrasive cleaning agents or materials. These will change the surface condition from the standard finish.

Heritage Furniture Handles

To prolong the life of this product, we recommend cleaning when required using lukewarm water on a damp, well wrung-out, lint free cloth. Also, the use of a soft-bristled toothbrush can be used for the removal of dirt trapped in the knurling or grooves.

Once clean, ensure to thoroughly dry with a soft cloth; paying particular attention to the base of the stem of the product. A light coating of natural wax will help seal any chips or scratches. We strongly advise to never use commercial chemical or abrasive cleaning products on any products, including anti-bacterial cleaners. These will remove the protective coating and the product may become damaged, possibly changing the appearance as a result. Also, little chips and scratches in the lacquer will allow the air to tarnish the metal over time. So particular care is required by following these instructions, otherwise you may invalidate the guarantee.

GUARANTEE

The confidence we have in the quality of our products and services enables us to offer a free peace-of-mind product guarantee from 2 years up to a lifetime guarantee against any manufacturing faults, with proof of purchase. In addition, our attentive customer service team are available to help solve any problems which may arise quickly and effectively so you can enjoy your bathroom.

To see the specific guarantee for this product, scan the QR Code or visit the following URL:

<https://www.heritagebathrooms.com/service-centre/guarantee>



NEED HELP?

If your product does not function correctly when you first use it, contact your plumber and make sure that it has been installed and commissioned in line with this Installation and User Guide supplied with the product. If this doesn't solve the problem, then please visit <https://www.heritagebathrooms.com/service-centre/help-and-advice> for some helpful hints and tips; or contact Heritage Customer Service on 0330 026 8503 where our expert team of advisors will be able to offer you, or your plumber, help and advice.



HERITAGE[®]

BATHROOMS

We love to see how Heritage products are used so please keep in touch and share pictures of your new bathroom with us.



@heritagebathrooms

If you have any queries, our dedicated customer service teams and products experts are available to help.

Email us enquire@heritagebathrooms.com Call us **0330 026 8503** Website www.heritagebathrooms.com

UK: Heritage Bathrooms, Pooley Hall Drive, Birch Coppice Business Park, Dordon, Tamworth B78 1SG

EU: Masco Europe S.à.r.l., 14 Rue Strachen, 6933 Mensdorf, Luxembourg.