

# KGRWCU600

## CAVERSHAM Furniture Range Caversham 600mm WC Unit - Graphite



### Features:

- Available in a selection of finishes
- Stylish yet functional storage solution
- Durable to withstand everyday use in a busy household

### Product Certifications:

### Additional Information:

This product is supplied with a painted lid, but can be upgraded to use one of our Caversham Worktops (sold separately).

### This Product is Shown With:

PCNWF00 - Clinton Back to Wall Pan  
TSWGL1 - Clinton Toilet Seat

### This Product Also Needs:

CFC35 - Concealed Cistern inc.  
Push Button

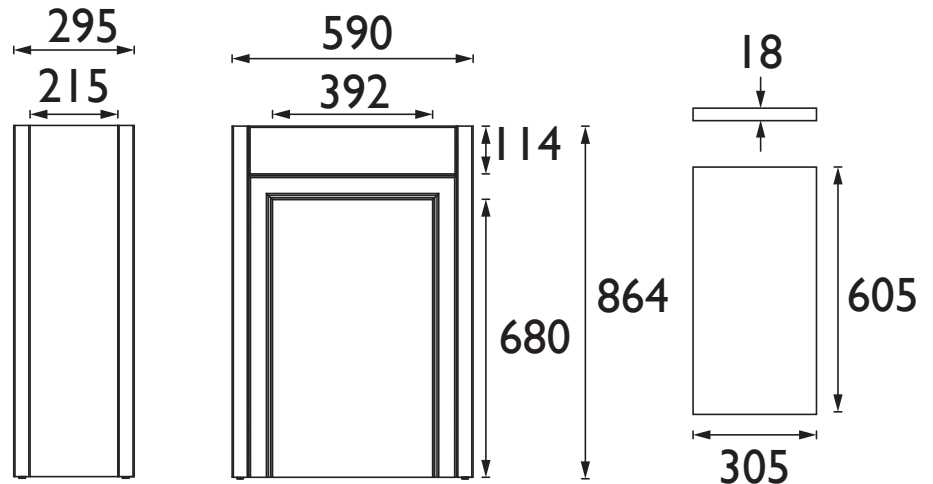
### Variant SKUs:

KCHWCU600 - Caversham WC Unit  
Chantilly  
KMBWCU600 - Caversham WC Unit  
Maritime Blue

### Specification

Main Construction Material:	MDF; MFC
Finish:	Graphite
Weight (kg):	15.6
Weight Including Packaging (kg):	19
Height (mm):	864
Width (mm):	590
Depth (mm):	295
Assembly Required:	No
What's Included?:	1x Freestanding Unit, 1x Front Access Panel, 2x Panel Brackets, 2x Front Fascia Brackets, 4x Caps, 4x Foot Pads, 1x Painted Worktop

### Dimensions (measurements in mm)



## Technical Data Sheet



**HERITAGE**<sup>®</sup>  
BATHROOMS

D2