

HERITAGE

BATHROOMS

Installation Guide



Models Covered:

Caversham Furniture
Winterbourne Furniture

Please keep this booklet for future reference.

Installer: When you have read these instructions, please ensure you leave them with the user.

INTRODUCTION

Thank you for buying a Heritage Product. When you buy a Heritage product, you can be confident that it not only features a beautiful, distinctive, classic design, but that it has also been made to the very highest quality standards.

To ensure that it works to its full potential, it needs to be fitted correctly.

These fitting instructions have been created to give you all of the information you need and, if you need any further help, please do not hesitate to give us a call on: 0330 026 8503.

CONTENTS

SAFETY NOTES	3
INSTALLER GUIDELINES	3
TOOLS REQUIRED	4
INSTALLATION - FREESTANDING UNIT	4-5
INSTALLATION - WALL HUNG MIRRORED DOOR UNITS	6-7
INSTALLATION - TALL BOY UNIT	8
FITTING DOOR HINGES	9
INSTALLATION - WC UNIT	10
INSTALLATION - WC LIDS	11
INSTALLATION - WALL HUNG UNIT	12
INSTALLATION - WALL HUNG VANITY UNIT	13-14
INSTALLATION - FRAMED MIRRORS	15
DOOR ADJUSTMENT	16
CARING FOR YOUR PRODUCT	17
GUARANTEE	17
NEED HELP?	18
NOTES	19



SAFETY NOTES

Please make sure you read these instructions and retain for future use. All products manufactured by Heritage Bathrooms are safe, providing they are installed and used correctly and also receive maintenance when needed.

If you are in any doubt about your ability to install this product safely you must employ the services of a competent person who has experience of fitting products of this nature. **This product must not be modified in any way otherwise this will invalidate the guarantee.**

Consider the following whilst using power tools:

- Prior to drilling into walls, check there are no hidden electrical cables or wires and there are also no water pipes. These can potentially be found using an electrical or metal detector. You may also need to know some of the schematics of previous installations to determine the suitability and accommodation of the installation.
- Wear the correct PPE, especially ear, eye and hand protection when using power tools. Unplug any mains equipment after use.
- Keep electrical equipment away from sources of water.

Furniture can be very heavy; a lifting aid or second person at minimum will be required to manoeuvre safely. Please note additional safety information for any units with a mirror including single door and double door mirror units and framed mirror

- Glass – Silver Float Glass; approved to EN 1036-2:2008
- If the glass is chipped or broken, stop using the product!



WARNING

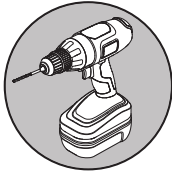
- Handle with Care
- Do not place very hot or very cold items directly on glass surfaces
- Do not sit or stand on glass surfaces
- Do not strike the glass with hard or pointed items, or use the glass as a chopping surface
- Do not use abrasive cleaning agents as this may scratch the glass
- Always supervise young children around glass products

INSTALLER GUIDELINES

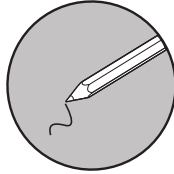
The furniture in this booklet comes mostly assembled. Shelves will need to be installed once furniture is in position and fixed. Wall Cabinets will need to be fitted on solid walls capable of some load bearing. The installation of these products greatly depends on the floor and wall being level. If this is not the case, it must be corrected before installation.



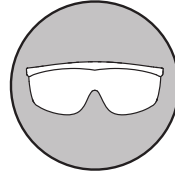
TOOLS REQUIRED



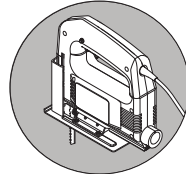
Electric Drill



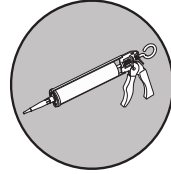
Pencil



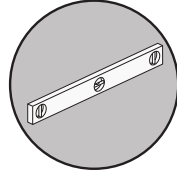
Safety Goggles



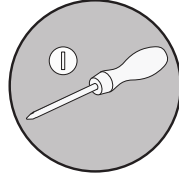
Jigsaw



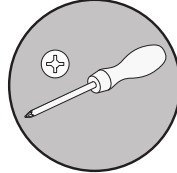
Silicon Sealant



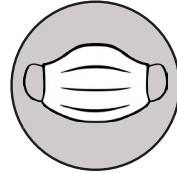
Spirit Level



Flat Screwdriver



Cross Screwdriver



Ventilation Mask

INSTALLATION - FREESTANDING UNIT

Freestanding Cloakroom Unit, Dorchester Vanity Unit, Granley Vanity Unit

The units shown in these instructions are for illustration purposes only.

All products in this range can be fitted using the guide.

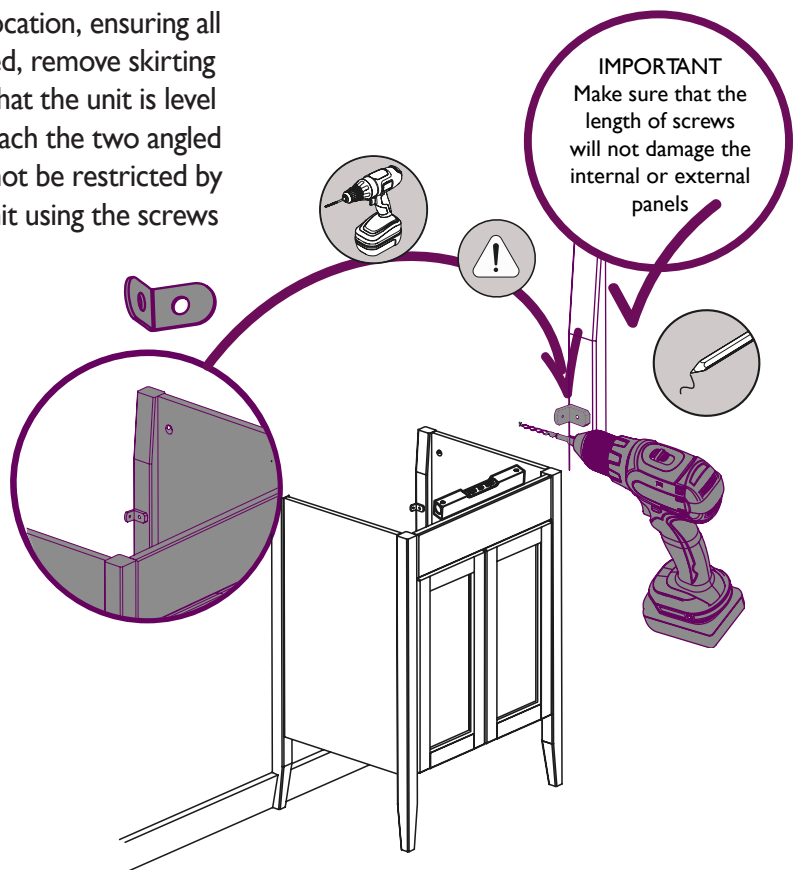
The cloakroom freestanding vanity unit door will need to be fitted depending on preferred orientation. Please see page 9 for information on how to fit. Single shelf supplied with 3 possible positions.



Follow installation instructions supplied with your worktop, basin, taps & waste (where applicable).

Position your vanity unit in the required location, ensuring all plumbing (if required) is in place. If needed, remove skirting boards before fixing in place and ensure that the unit is level once in position. Mark the position to attach the two angled brackets to the unit, ensuring access will not be restricted by your basin. Attach the brackets to the unit using the screws provided.

Remove the cabinet and drill holes of the appropriate size to accept the necessary screws or wall plugs used to secure. (Not supplied).



INSTALLATION - FREESTANDING UNIT

Freestanding Cloakroom Unit, Dorchester Vanity Unit, Granley Vanity Unit

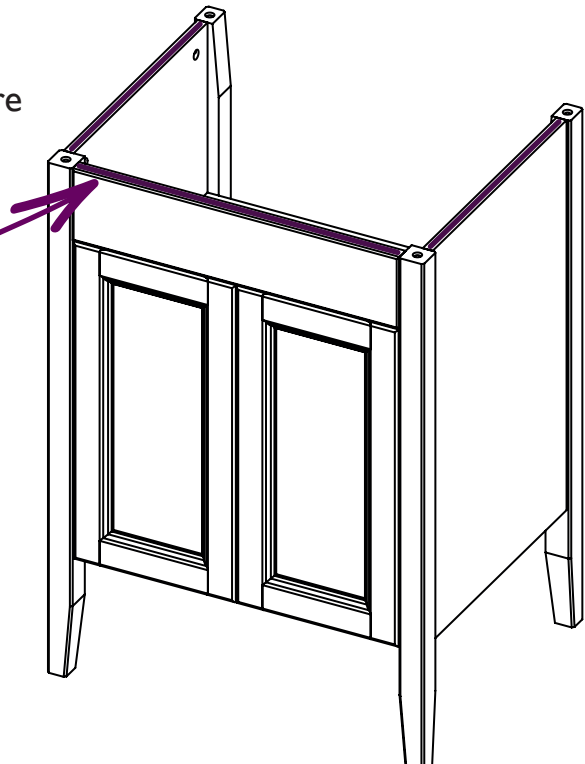
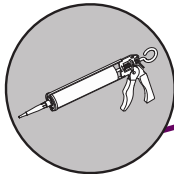
FITTING YOUR BASIN TO YOUR WORKTOP

Please refer to your worktop and basin instructions for information and installation steps.

Once your basin has been fitted to your worktop, continue to follow these install instructions to attach to your freestanding unit.

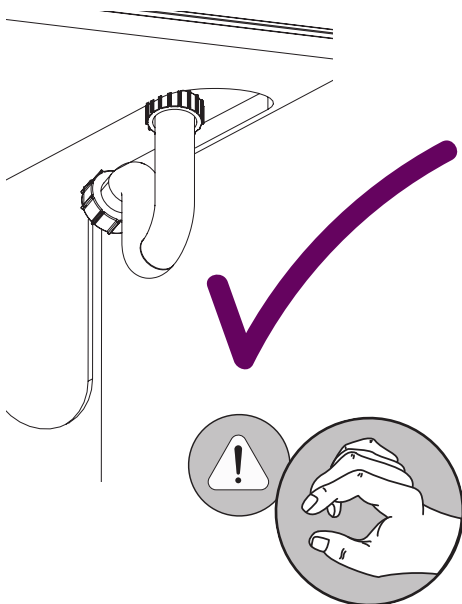
SECURING THE WORKTOP

Apply silicone sealant along the vanity unit before placing the worktop, secure and wipe off any excess with a warm, soft, damp cloth.

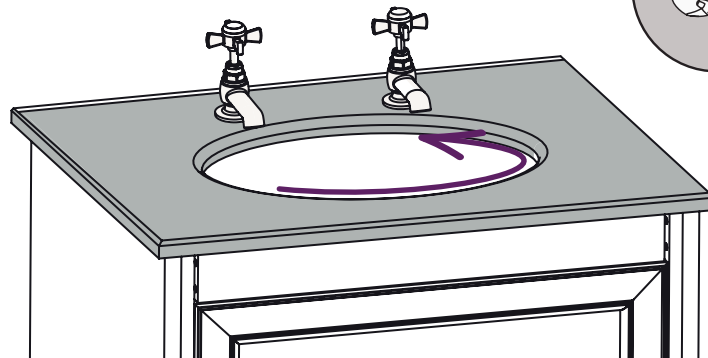


GOOD TO KNOW

Access to waste connections via the main doors of the vanity unit.



Wipe any excess silicone sealant and smooth around the rim of basin.



Over tightening fittings, especially wastes can cause pressure cracks in your sanitaryware.



INSTALLATION - WALL HUNG MIRRORED DOOR UNITS

Caversham Double Door Mirror Wall Unit & Caversham Single Door Mirror Wall Unit

Safety Notice- All Wall Hung Units must be installed with adequate load bearing screws (not supplied) and used with the supplied wall hung brackets and plates.

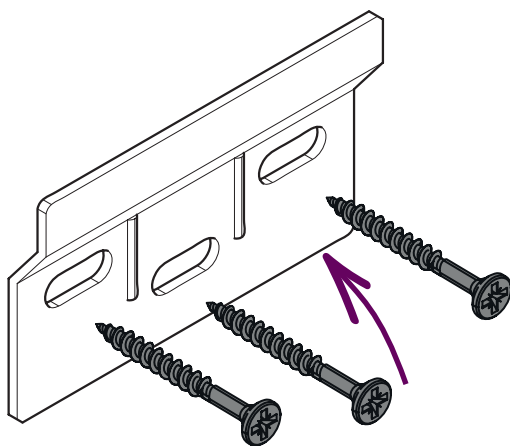
The units shown in these instructions are for illustration purposes only. All products in this range can be fitted using the guide.

The mirrored door on the single door unit will need to be fitted depending on preferred orientation. Please see Page 9 for information on how to fit. See page 15 for hinge adjustment.

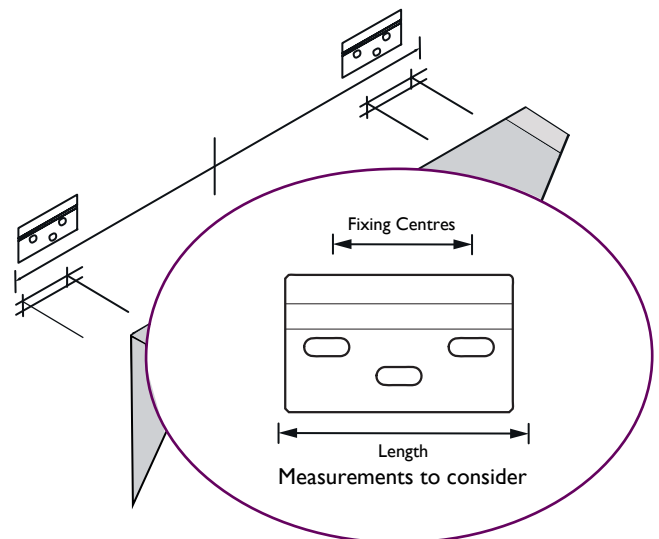
Single shelf supplied with 3 possible positions.

Mirrored door wall units are supplied with hanging brackets pre-fitted to the unit.

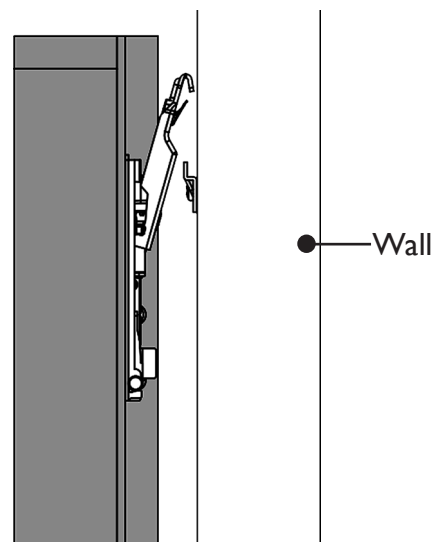
Determine favoured position of unit. Mark a vertical centre point on the wall. Measure the span of the pre-fitted brackets and transfer measurement to wall from centre point to give a central position for the cabinet.



Hang cabinet in position on wall plates.

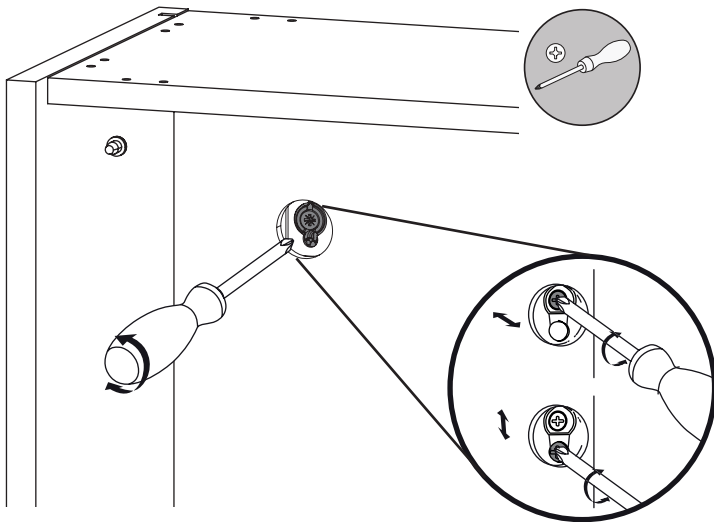


Fit the wall plates to the wall using appropriate fixings (not supplied) using a long spirit level to make sure levelling is accurate. Plates should be no more wide apart than the spanned measurement of the wall hanging brackets.

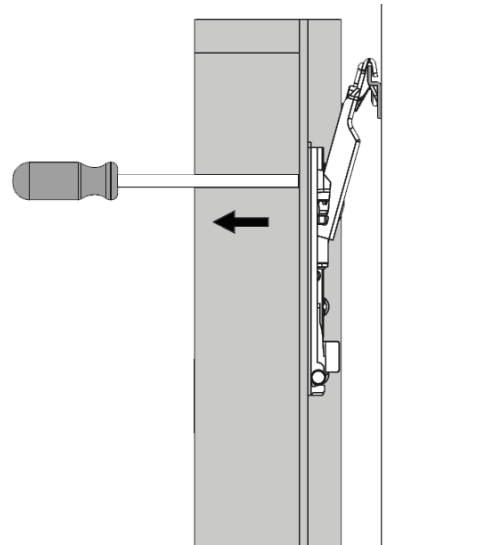


INSTALLATION - WALL HUNG MIRRORED DOOR UNITS

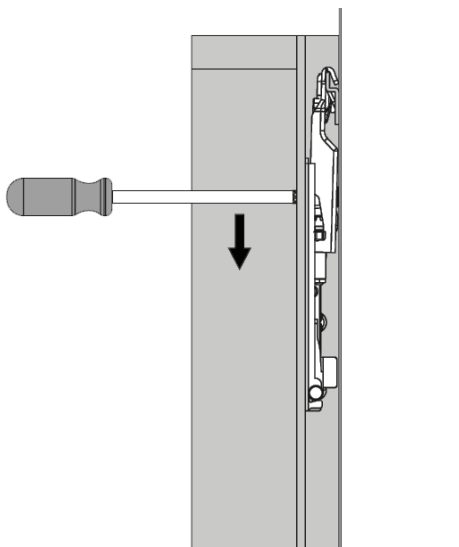
Caversham Double Door Mirror Wall Unit & Caversham Single Door Mirror Wall Unit



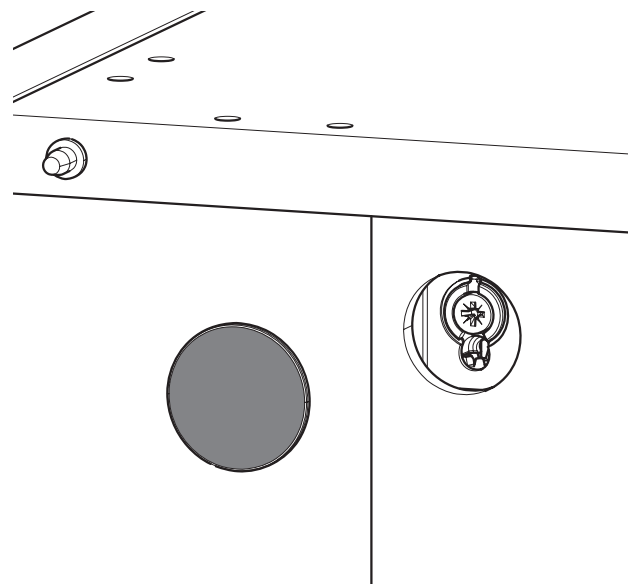
The wall brackets can be adjusted from the inside of the unit.



Turn the top adjustment screw to adjust the unit from front to back. This allows unit to tilt forwards or backwards from the wall and lock the unit onto the brackets.



Insert screwdriver into hole below the top screw and turn to move unit up and down, adjust unit for height. By adjusting at both sides the unit can be levelled.



Once adjustments have been completed, the covering caps can be pressed on to conceal all holes.

For extra security, the double door mirrored unit will need to be secured to the wall at the bottom of the unit as well. Drill suitable holes through the back of the unit/ wall and secure to wall using suitable fixings (not supplied)



INSTALLATION - TALL BOY UNIT

Caversham Freestanding Tall Boy Unit

Our Tall Boy units give you the option to fit the door left or right handed, see overleaf for the installation guide to fit our door hinges. See page 15 for hinge adjustment.

The Tall Boy Unit should be attached to the wall using the safety bracket included. Fixings are supplied to attach the bracket to the unit, but not to the wall.

There is a purpose access hole drilled for this on the lower part of the unit, use the provided screw and washer to attach the bracket to the unit.

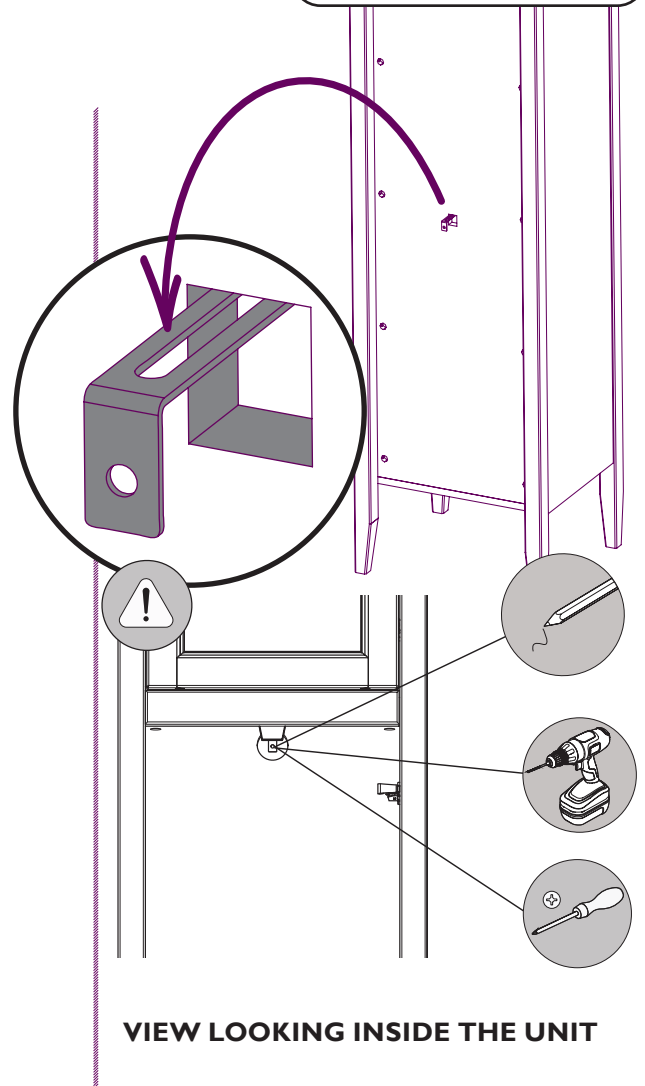
Single shelf supplied with 3 possible positions.

Note: Ensure you orientate the bracket as shown in the illustration.

INSTALLER TIPS

Mark the required hole using the bracket hole as a template.

Drill a suitable hole for the wall fixings used (not supplied). Attach the bracket to the wall.

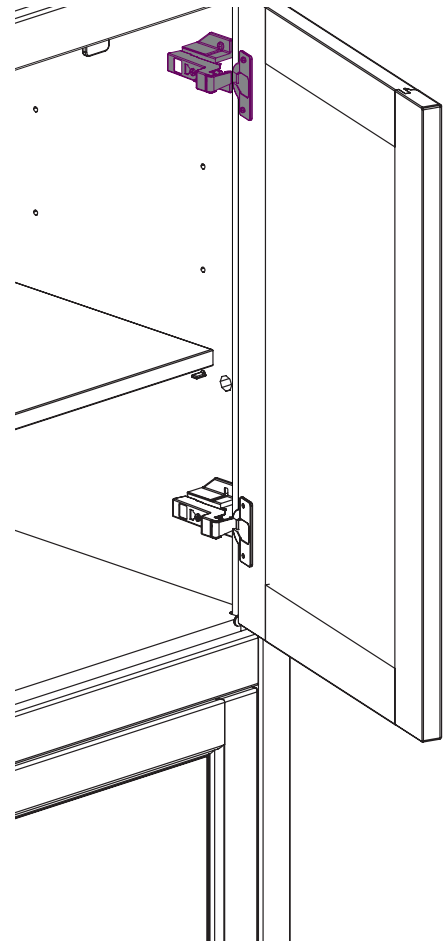
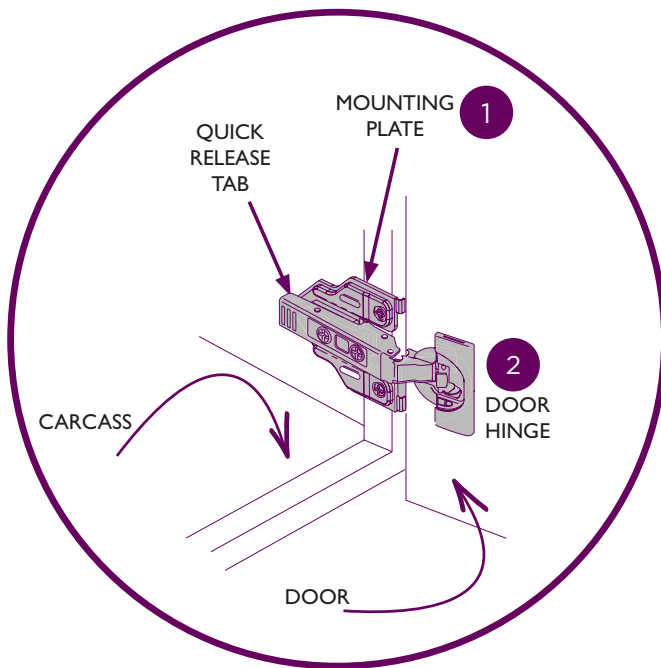


FITTING DOOR HINGES

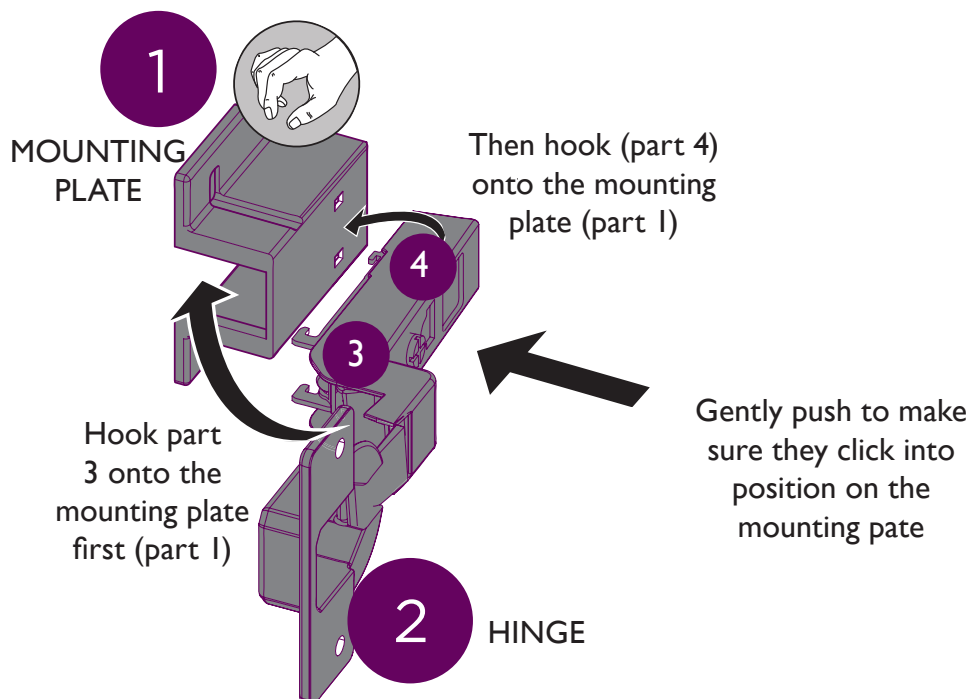
Fit mounting plate on the desired orientation of door, secure on the inside of the carcass using screws (supplied)

Fit the hinge onto the door using the supplied screws.

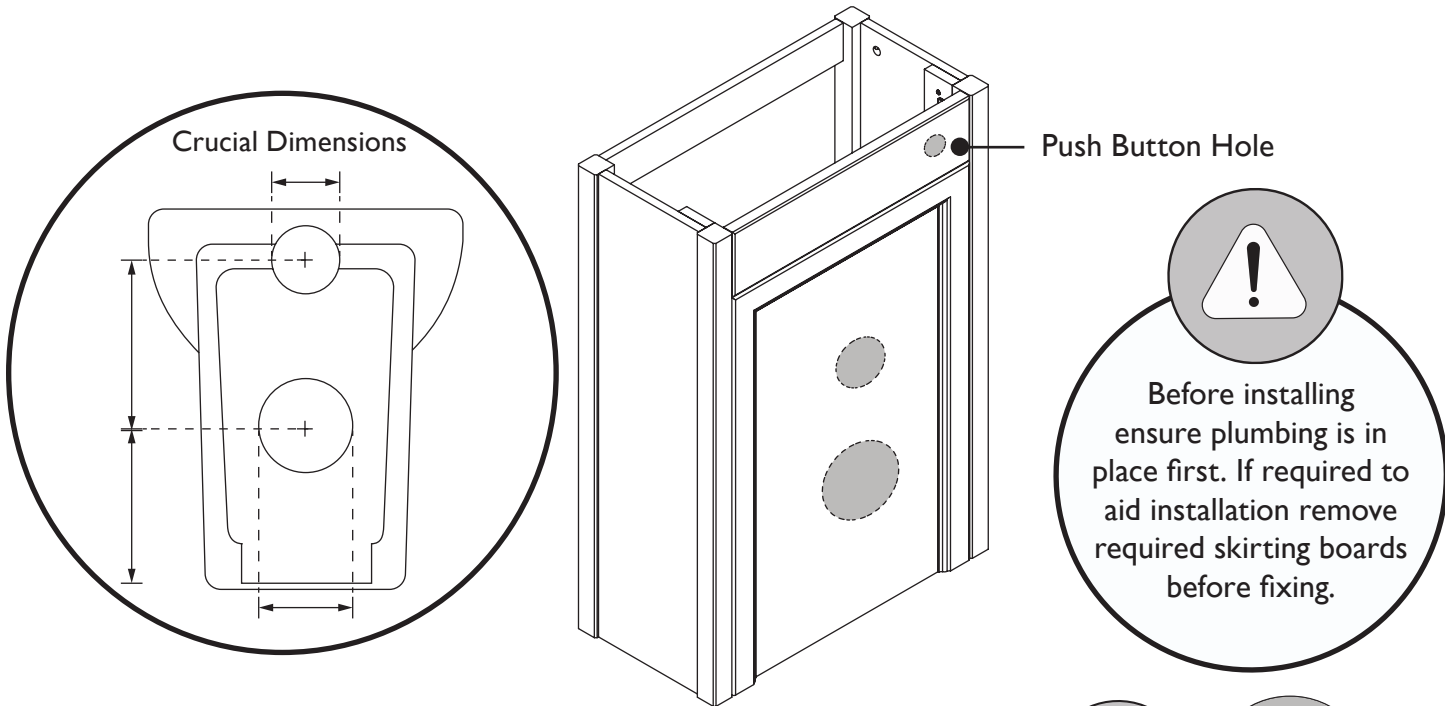
To secure the components follow illustration below



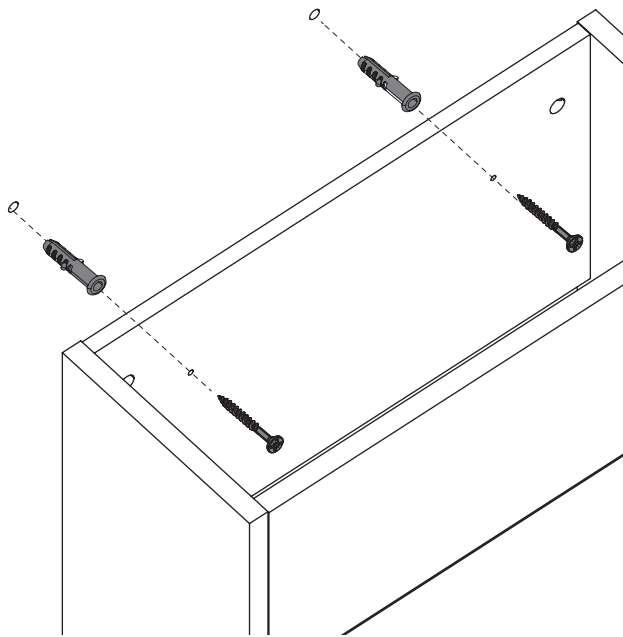
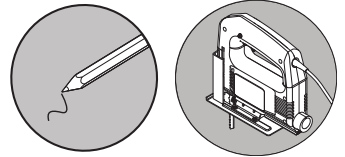
FITTING HINGE ONTO MOUNTING PLATE



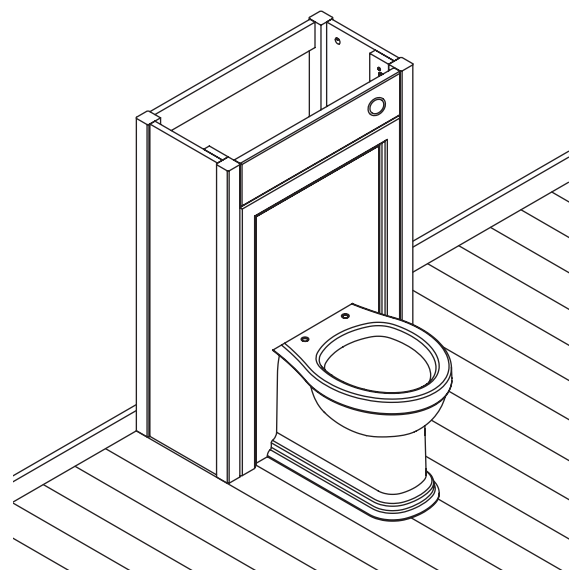
INSTALLATION - WC UNIT



The WC unit fascia is not pre-cut. Using your toilet pan as a guide cut out necessary area to allow installation. Take these crucial dimensions and cut out accordingly. The cistern push button should be installed in the upper fascia, measure the button before cutting. Seal cut out areas using suitable sealant to prevent water ingress.



Fasten unit to the wall using suitable bearing screws (not supplied) through the back brace of the unit.

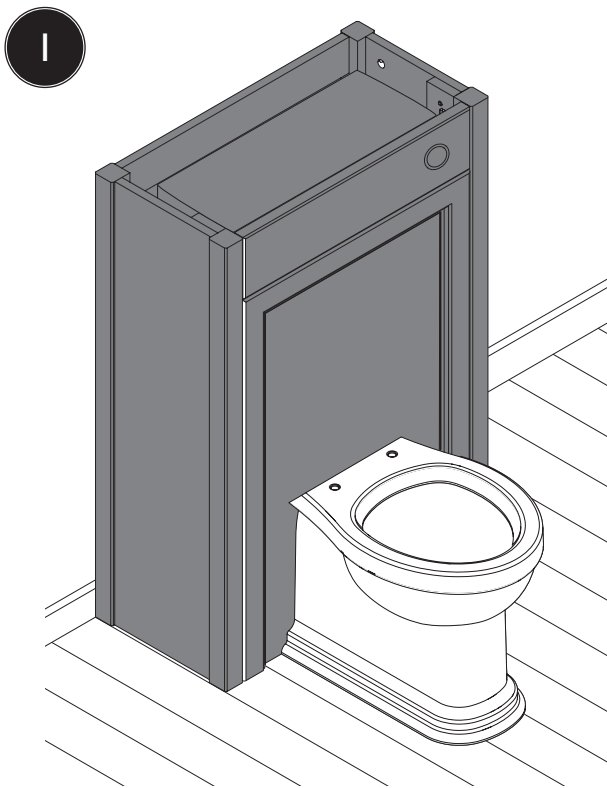
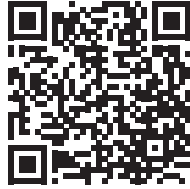


Refer to your concealed cistern and WC pan fitting instructions to fit the sanitaryware to the WC Unit.



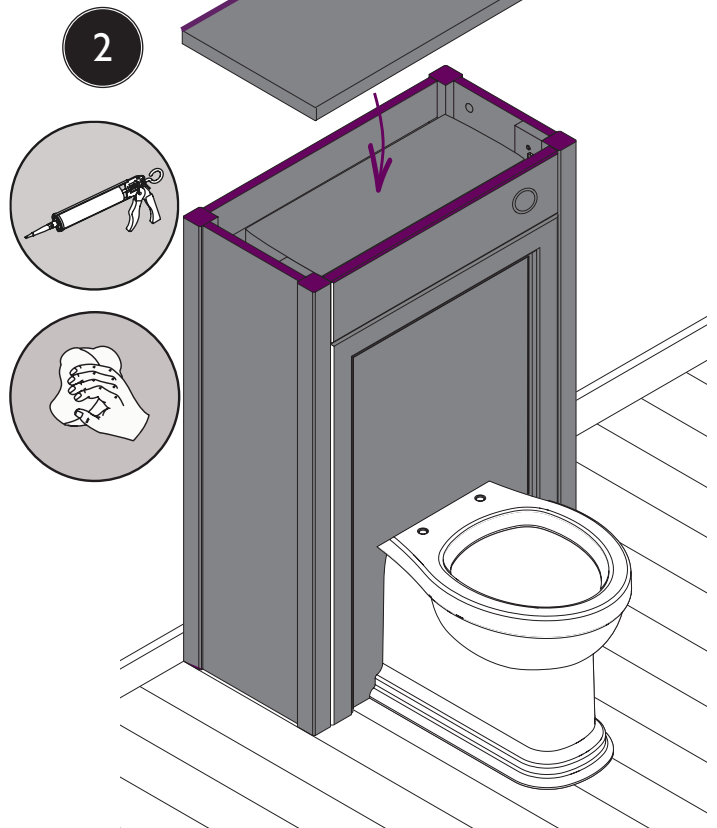
INSTALLATION - WC LIDS

Your WC Unit may come supplied with a painted lid - this can be fitted, or you have the option to purchase a separate worktop for your bathroom. Both will follow the same installation steps. Scan the QR code below to check on our website, to see the available worktops in our range.



Once the sanitaryware is fitted, turn on the water supply and check all joints and connections for any leaks.

TOP TIP!
The top panel on the unit is removable. To access, break the sealant on the worktop and remove. The front panel will push out.



Apply silicone sealant along the furniture unit before placing the worktop. Carefully place the worktop on the unit and secure in place. Once the worktop is in the correct position, apply silicone sealant along the back of the worktop. This will prevent any water from getting behind the unit. Wipe any excess sealant with a soft, damp cloth.



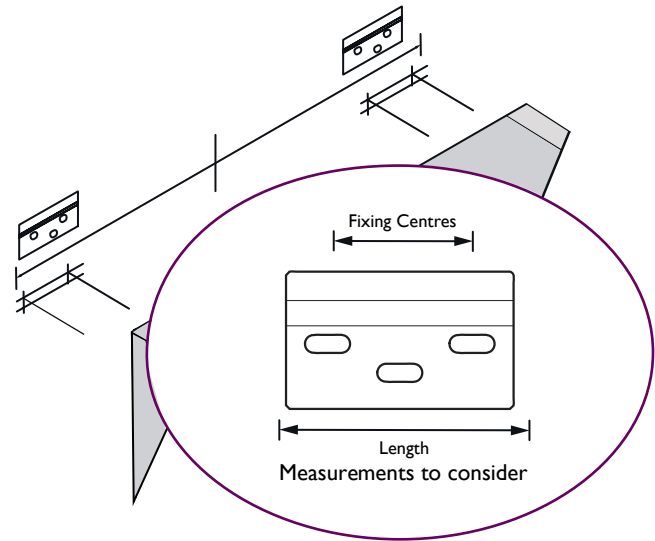
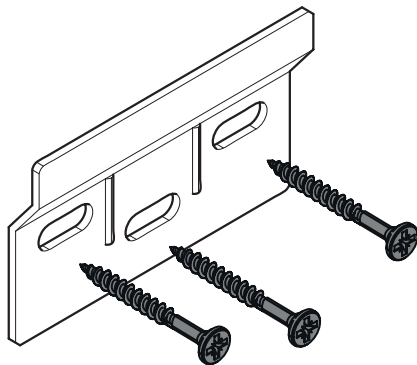
INSTALLATION - WALL HUNG UNIT

Our cloakroom wall hung unit comes pre-fitted with hanging brackets. The unit should be fitted to the wall using the supplied brackets and wall plates.

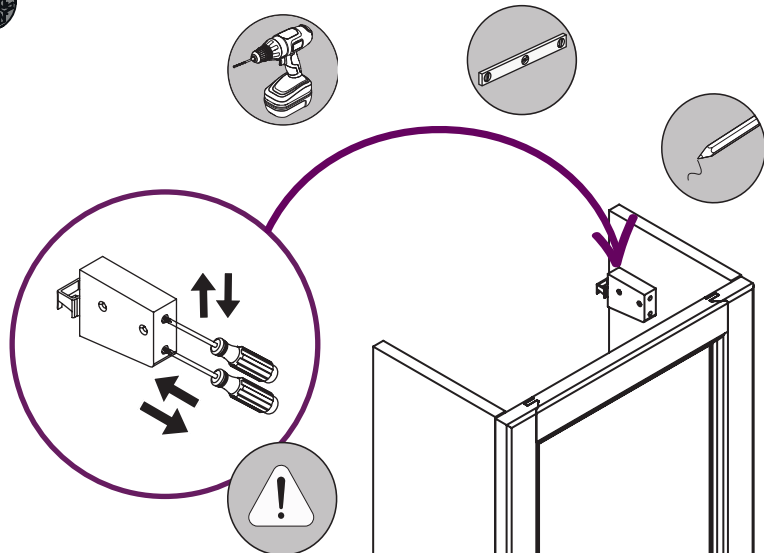
We also give you the option to fit the door left or right-handed. See page 9 for information on fitting door hinges.

Single shelf supplied with 3 possible positions.

Determine favoured position of unit, remembering to take into account any additional height for your basin/worktop. Mark a vertical centre point on the wall. Measure the span of the pre-fitted brackets and transfer measurement to wall from centre point to give a central position for the cabinet.



Fit the wall plates to the wall using appropriate fixings (not supplied) using a long spirit level to make sure levelling is accurate. Plates should be no more wide apart than the spanned measurement of the wall hanging brackets.



Hang cabinet on wall plates and adjust the fitted brackets if needed for the position required. Lock and tighten the unit onto the brackets.

Refer to your basin/worktop instructions to complete the installation.



INSTALLATION - WALL HUNG VANITY UNIT

Caversham Wall Hung One Drawer Vanity Unit & Caversham Wall Hung Two Drawer Vanity Unit

The units shown in these instructions are for illustration purposes only.
All products in this range can be fitted using the guide.



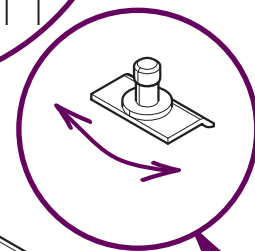
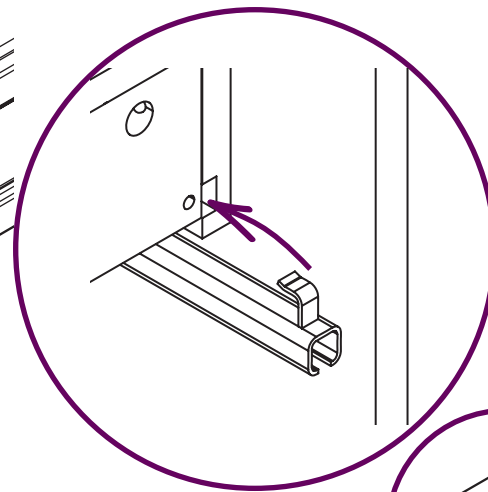
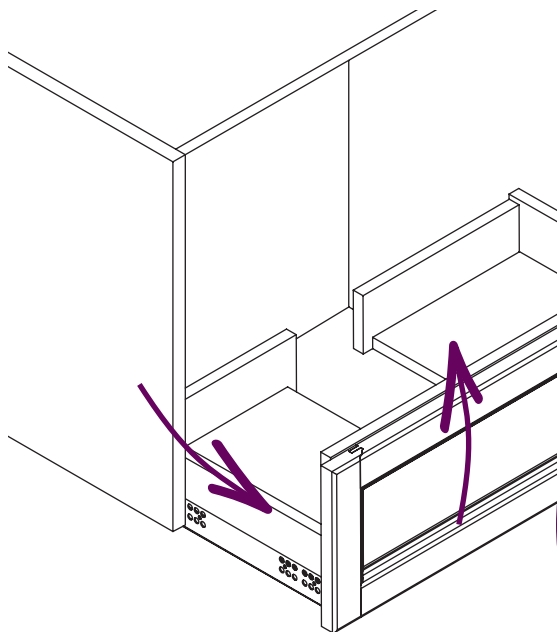
Follow installation instructions supplied with your worktop, basin, taps & waste (where applicable).



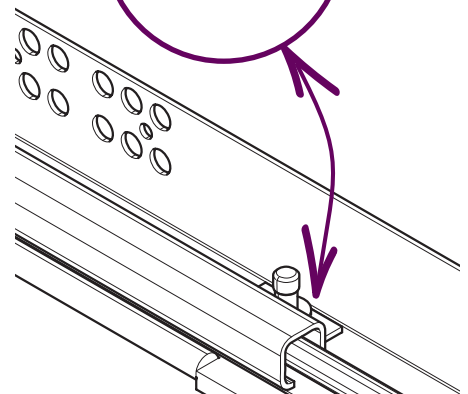
IMPORTANT

For ease of installation, drawers can be removed. Pull the drawer fully out and lift from the front centre to release from the runners.

To replace drawers, line up with drawer runner, ensuring metal hooks are pushed into the hole at the back of the drawer.



To adjust the height of the drawers, locate the adjustment pin and turn anti-clockwise to adjust the drawer upwards, turn clockwise to adjust the drawer downwards.



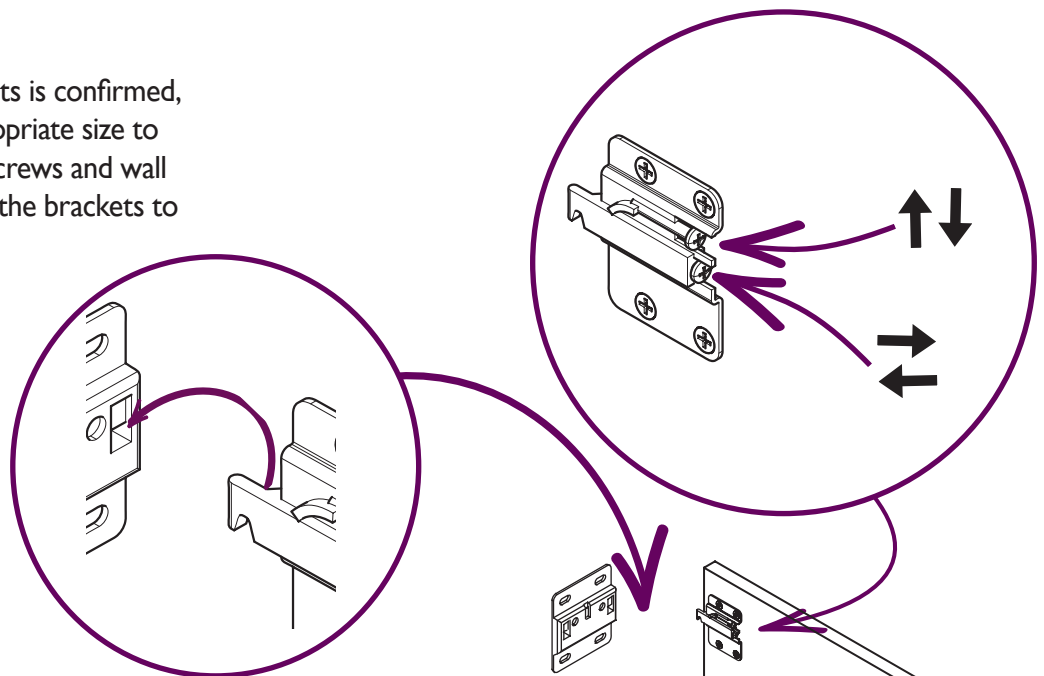
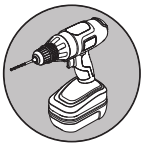
INSTALLATION - WALL HUNG VANITY UNIT

Caversham Wall Hung One drawer Vanity Unit & Caversham Wall Hung Two Drawer Vanity Unit

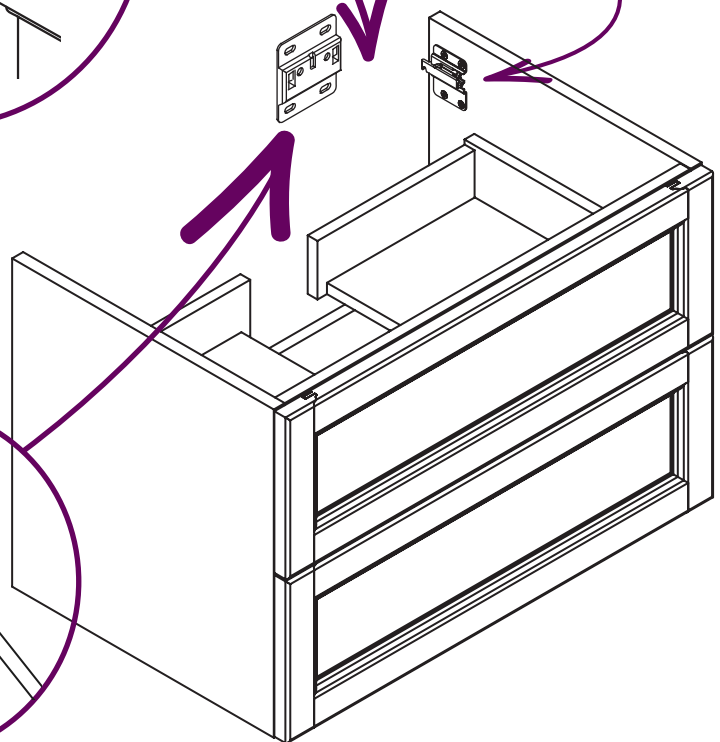
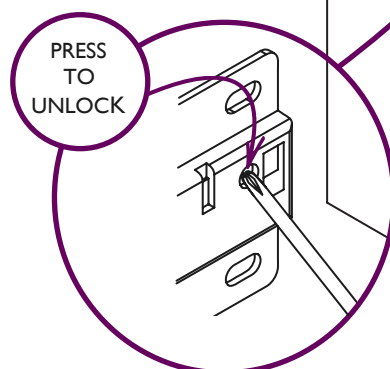
Determine favoured position of cabinet, remembering to take into account any additional height for your basin/worktop. Mark a vertical centre point on the wall. Measure the span of the pre-fitted brackets (hook to hook) and transfer measurement to wall from centre point to give a central position for the cabinet.



Once position of brackets is confirmed, drill holes of the appropriate size to accept the necessary screws and wall plugs needed to secure the brackets to the wall.



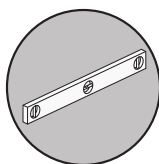
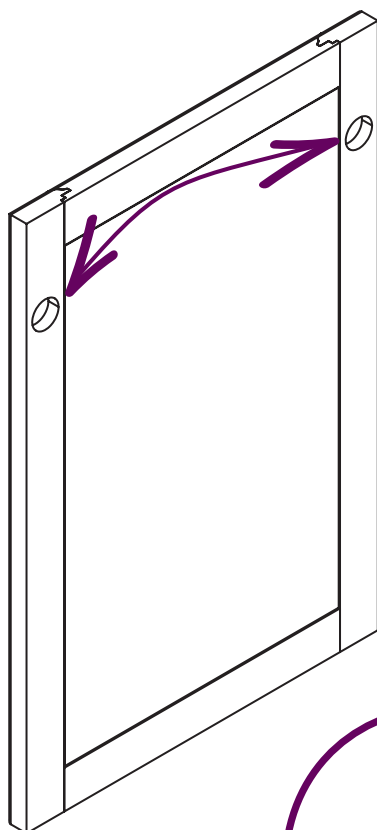
The wall bracket has a safety feature which prevents the unit from detaching from the wall bracket. To unlock this safety feature to remove the unit, press through the hole shown in the image below. This will allow the unit to be removed.



INSTALLATION - FRAMED MIRRORS



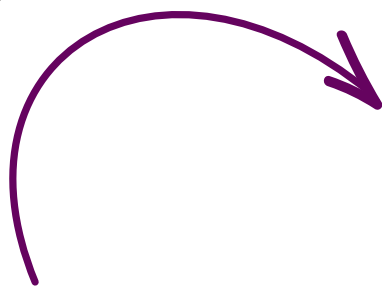
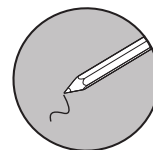
Mirror can only be hung in portrait position.



Take measurements from the centres in the pre-fitted brackets and transfer these to the wall, ensuring they are level.

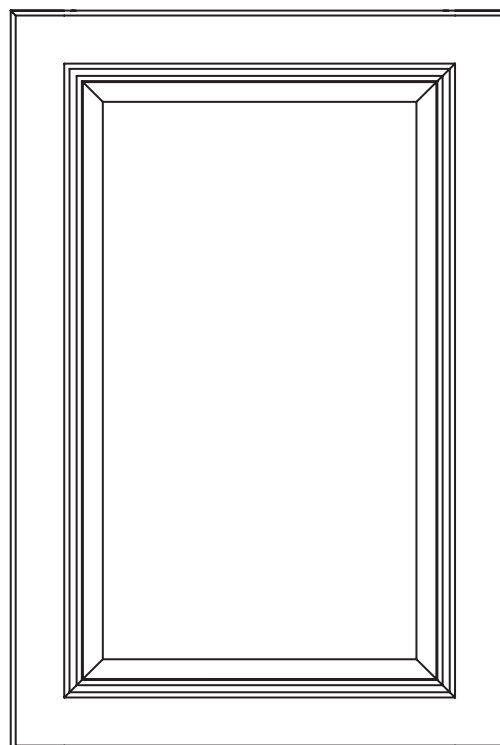


(Fixings for wall not supplied)



Please use suitable fixings for your wall type.

Once in place, hang mirror using the 2 brackets.

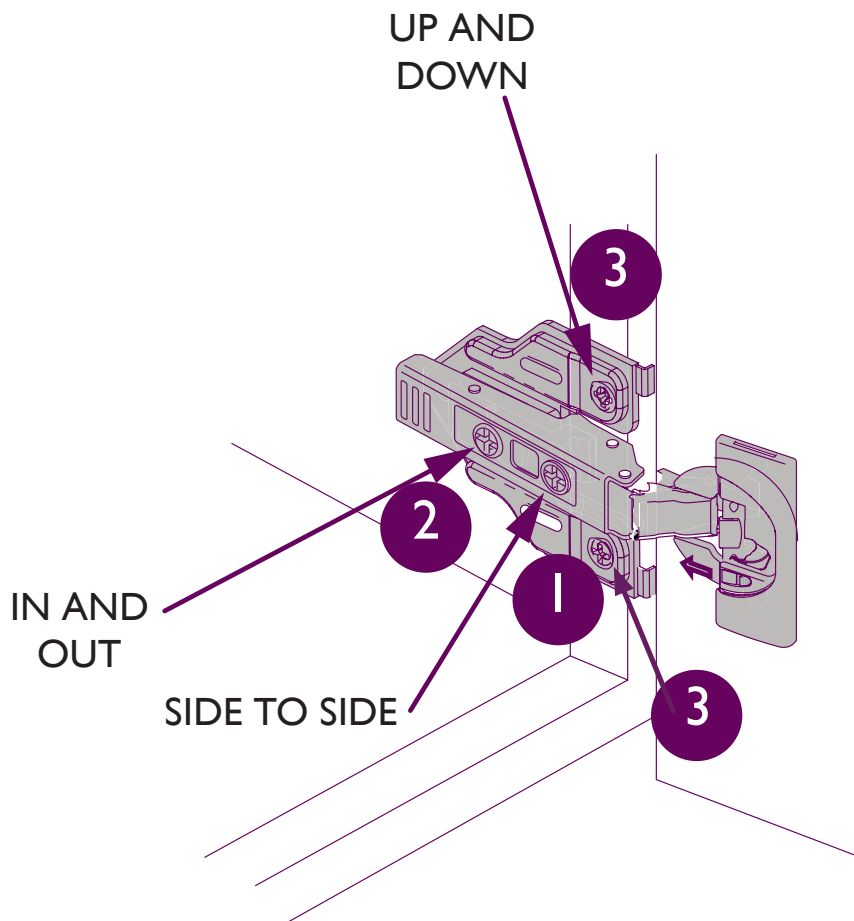


DOOR ADJUSTMENT

To adjust the doors side to side tighten/loosen screw 1

To adjust the door forwards and backwards tighten/loosen screw 2

To adjust the door up and down adjust screws 3 on the mounting plate.



CARING FOR YOUR PRODUCT

Furniture and Basins

Your fittings have high quality finishes and should be treated with care to preserve the visible surface.

A few tips for preventing defects from forming:

- When installing taps, do not over-tighten as this may damage the basin
- Take care when adjusting the tap and basin position, this may result in scratching.
- Sliding hard/sharp objects (cups, bottles etc..) across the surface may result in scratching

Occasionally wipe the surface with a soft, damp cloth and dry with a dry cloth. Wipe away any spillages or excess moisture immediately. Do not use any abrasive cleaning agents or materials. these will change the surface condition from the standard finish.

Heritage Furniture Handles

To prolong the life of this product, we recommend cleaning when required using lukewarm water on a damp, well wrung-out, lint free cloth. Also, the use of a soft-bristled toothbrush can be used for the removal of dirt trapped in the knurling or grooves.

Once clean, ensure to thoroughly dry with a soft cloth; paying particular attention to the base of the stem of the product. A light coating of natural wax will help seal any chips or scratches. We strongly advise to never use commercial chemical or abrasive cleaning products on any products, including anti-bacterial cleaners. These will remove the protective coating and the product may become damaged, possibly changing the appearance as a result. Also, little chips and scratches in the lacquer will allow the air to tarnish the metal over time. So particular care is required by following these instructions, otherwise you may invalidate the guarantee.

GUARANTEE

The confidence we have in the quality of our products and services enables us to offer a free peace-of-mind product guarantee from 2 years up to a lifetime guarantee against any manufacturing faults, with proof of purchase. In addition, our attentive customer service team are available to help solve any problems which may arise quickly and effectively so you can enjoy your bathroom.

To see the specific guarantee for this product, scan the QR Code or visit the following URL:

<https://www.heritagebathrooms.com/service-centre/guarantee>



NEED HELP?

If your product does not function correctly when you first use it, contact your plumber and make sure that it has been installed and commissioned in line with this Installation and User Guide supplied with the product. If this doesn't solve the problem, then please visit <https://www.heritagebathrooms.com/service-centre/help-and-advice> for some helpful hints and tips; or contact Heritage Customer Service on 0330 026 8503 where our expert team of advisors will be able to offer you, or your plumber, help and advice.



NOTES



HERITAGE[®]

BATHROOMS

We love to see how Heritage products are used so please keep in touch and share pictures of your new bathroom with us.



@heritagebathrooms

If you have any queries, our dedicated customer service teams and products experts are available to help.

Email us enquire@heritagebathrooms.com Call us **0330 026 8503** Website www.heritagebathrooms.com

UK: Heritage Bathrooms, Pooley Hall Drive, Birch Coppice Business Park, Dordon, Tamworth B78 1SG

EU: Masco Europe S.à.r.l., 14 Rue Strachen, 6933 Mensdorf, Luxembourg.