

ACA07

CLIFTON Accessory Range

Clifton Double Towel Rail Vintage Gold



Specification

Contemporary or Traditional:	Traditional
Main Construction Material:	Brass
Product Orientation:	Landscape
Adjustable Brackets:	No
What's in the Box?:	1x Towel Rail 2x Backplates, 4x Screws, 4x Wall Plugs, 1x Hex Key

Features:

- Brass construction to resist rust and humidity in a bathroom environment
- Beautiful traditional styling
- Available in 2 colour finishes to match your brassware
- Concealed fixings

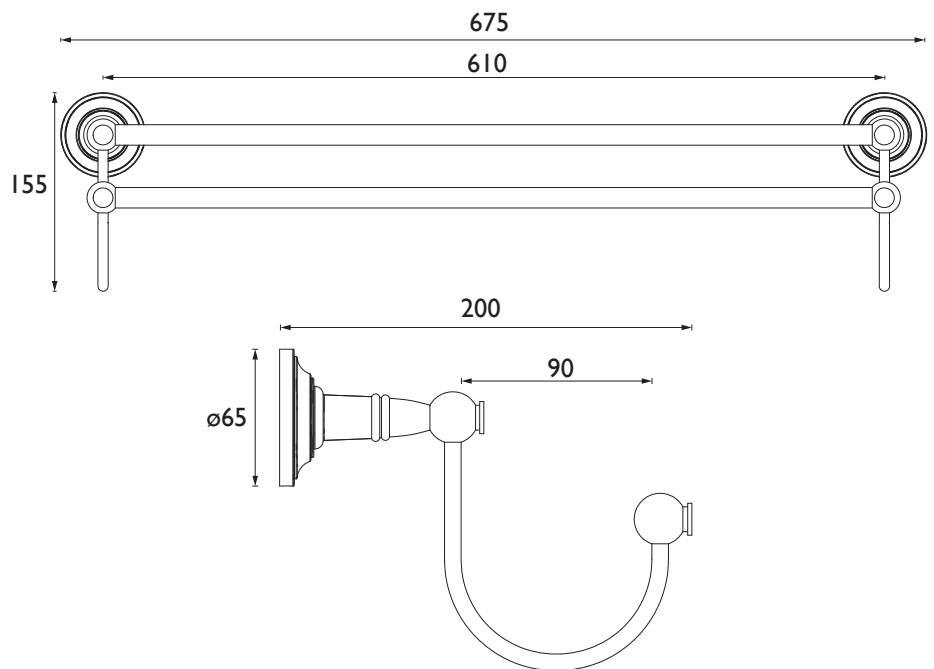
Product Certifications:

Additional Information:

Variant SKUs:

ACC07 - Double Towel Rail Chrome

Dimensions (measurements in mm)



TECHNICAL DATA SHEET



HERITAGE[®]

BATHROOMS

D5