

HERITAGE[®]

BATHROOMS

Installation Instructions and User Guide

Models covered:

Sherborne Curved Bath Screen

Please keep this booklet for future reference.

Installer: when you have read these instructions please ensure you leave them with the user.

Contents

When you buy a Heritage product, you can be confident that it not only features a beautiful, distinctive, classic design, but that it has also been made to the very highest quality standards.

To ensure that it works to its full potential, it needs to be fitted correctly.

These fitting instructions have been created to give you all of the information you need and, if you need any further help, please do not hesitate to give us a call on **0844 701 8503**.

Safety Notice

Installer Guidelines

Installation

Maintenance

Guarantee

Safety Note

- Please read these instructions & retain for future use. All products manufactured & supplied by Heritage are safe, provided they are installed correctly, used correctly, and receive regular maintenance in accordance with these instructions.
- **If you are in any doubt about your ability to install this product safely you must employ the services of an experienced qualified plumber.**



Before starting any installation project please consider the following:

- Prior to drilling into walls, check there are no hidden electrical wires or cables or water supply pipes with the aid of an electrical detector.
- If you use power tools do not forget:
 - Wear eye protection.
 - Unplug equipment after use.
- This product must not be modified in any way as this will invalidate the guarantee.
- These fittings need to be installed in accordance with and meet the requirements of the Water Supply (Water Fittings) Regulations 1999 and Scottish Byelaws 2004.

Every care has been taken to ensure that your bath screen arrives in perfect condition. Before installation please remove protective packaging and inspect. We will not accept responsibility for the installation of faulty or damaged items. We recommend the bath screen be recovered for protection during the installation.



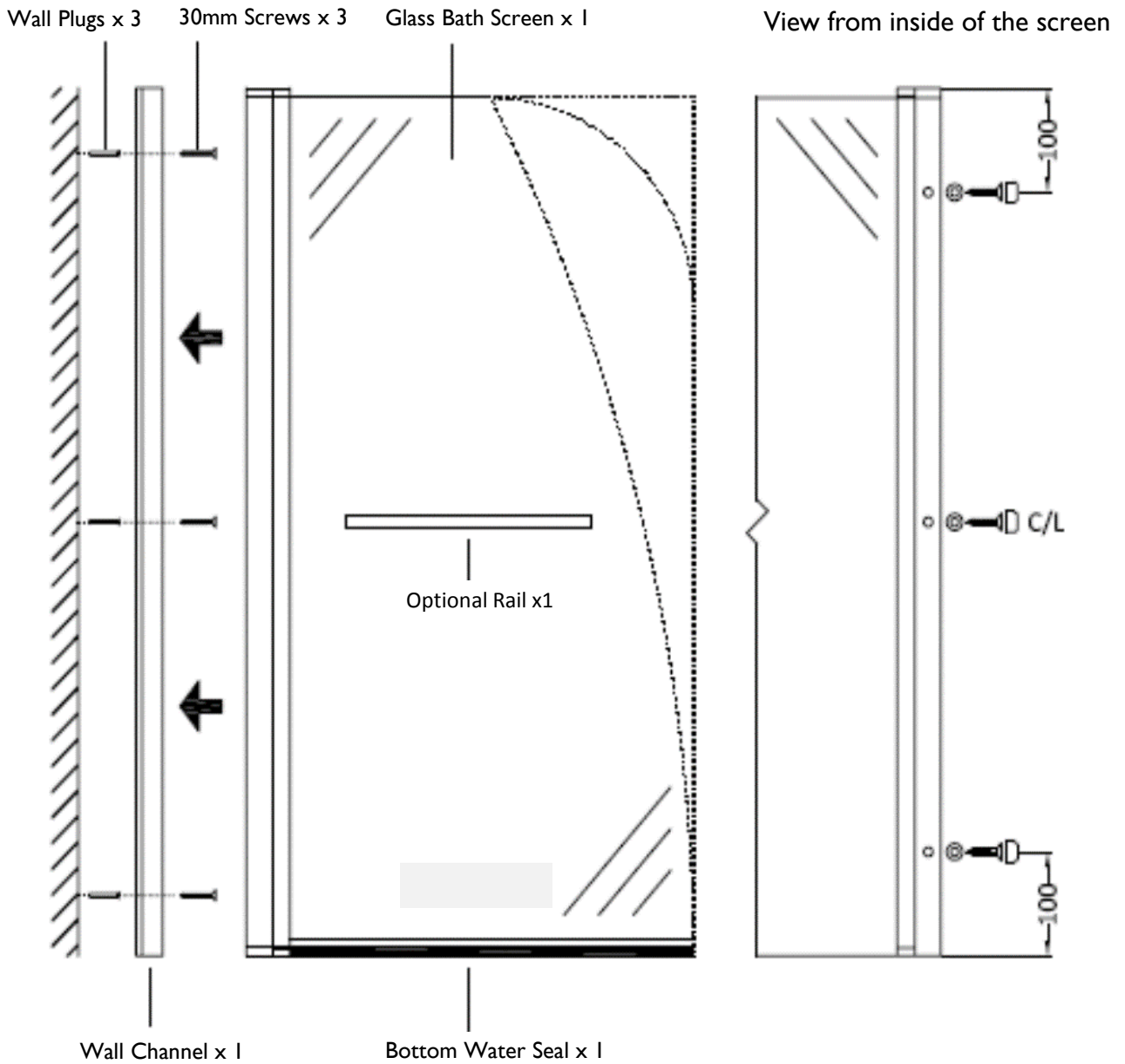


Fig 1



Installation Steps:

1. Insert the screen side pillar into the wall channel.
2. When the bath has been aligned, mark the position of the wall channel on the wall. Remove the screen, re-align the wall channel & mark the wall channel screw hole positions on the wall.
3. Using a 4mm masonry drill bit, drill 3 x 35mm deep holes in the marked screw positions on the wall
4. Insert the 3 x wall plugs into the holes. Using a hammer knock them in until they are flush with the wall.
5. Attach the adjustable wall channel to the wall using 3 x 30mm screws supplied.
6. Insert the side panel into the wall channel.
7. Adjust the position of the bath screen assembly until it is level (parallel) with the bath.
8. From inside of the bath screen assembly, make a mark in the wall channel approx. 100mm from the top. Note: the wall channel design, allows for shower screens to be adjusted so that they can be used on wall surfaces that are not vertical. When marking the hole position, please check to ensure that the drilled hole will go through both the wall channel & the side panel.
9. Using a 3.2. Diam HS Twist drill bit, drill one hole through the upper marked hole position. The hole must be drilled through the wall channel & side pillar until it reaches the centre.



DO NOT DRILL THROUGH BOTH SIDES.

10. Secure the upper section of the wall channel to side pillar by using 1 x inner screw support & 1 x 10mm screw. (Do Not Over Tighten).
11. Ensuring that the bath screen is still aligned as required, mark the position of the lower bath screen support screw position approx. 100mm from the bottom of the wall channel.
12. Repeat items 9 & 10 for the lower bath screen support screw position.
13. Mark the centre support screw position approx. equal distance between top & bottom screws & repeat steps 9 & 10.
14. Fit the screw caps x 3 onto the inner screw support cups.
15. Fit the bottom water seal x 1 & assemble to the lower edge of the screen **(see Fig 2)**.
16. It is recommended that a bead of silicone is run down the length of the wall channel & around the screen barrel on the outside of the bath screen.
17. If a rail is to be fitted, please ensure that it is fitted to the outside of the bath screen only.





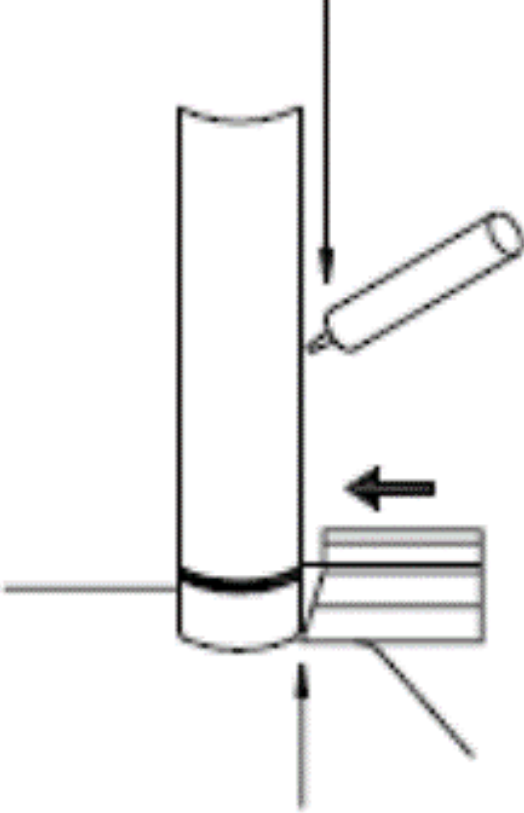
Step 15- Bottom Seal Fitting
<p data-bbox="258 511 1158 585">It is recommended that a small bead of silicone is applied from the top edge of the seal on the inside approx. 150mm in an upwards direction.</p>  <p data-bbox="277 1439 1143 1508">Cut the bottom door seal on an angle so that it sits tight up against the barrel hinge, then trim to length on the open side of the screen.</p>

Fig 2



Heritage Bathrooms Guarantee

When you buy a Heritage product, you can be confident that it not only features distinctive design, but that it has also been made to meet our rigorous quality standards.

We offer robust guarantees and an attentive aftercare service to ensure that if you do experience any issues, we can deal with a problem quickly, and effectively.

Please note that guarantees are only valid with proof of purchase.

Our guarantees are as follows:



2 Years on
Mirrors &
WC Seats



5 Years on
Bath Screens,
Furniture,
Shower Valves,
Taps, Wastes
& Accessories



Lifetime Guarantee
on Acrylic &
Cast Iron Baths
And Sanitaryware

Register now for additional peace of mind

Register your product with us now and, if you do have any queries after installation, we'll be able to quickly identify the product and give you the best advice. It also means that you won't have to keep your proof of purchase to validate your guarantee. To register, simply go online at www.heritagebathrooms.com/register

Guarantee Terms and Conditions

This guarantee is in addition to your statutory and other legal rights and is subject to the following conditions:

- The product was purchased within the United Kingdom or Republic of Ireland
- The product is used in domestic applications only
- The guarantee applies solely to the original purchaser with proof of purchase
- The installation must allow ready access to all products for the purpose of inspection, maintenance or replacement
- Repair under this guarantee does not extend the original expiry date. The guarantee on any replacement parts or product ends at the original expiry date

Any part found to be defective during the guarantee period will be replaced without charge, providing that the product has been installed in accordance with the instructions given in this guide and used as the manufacturer intended. If the product is no longer available, Heritage will endeavour to provide the nearest equivalent.





Heritage Bathrooms Guarantee Cont.

The guarantee does not cover:

- Damage or defects caused by
 - General wear and tear (including special non-chrome finishes; components such as filters, seals, 'O' rings and washers)
 - Incorrect installation
 - Repair using non-Heritage parts
 - Accidental or wilful misuse
 - Corrosion and the use of inappropriate cleaning products.
 - System debris including the build-up of limescale (which can be controlled through regular servicing and maintenance)
- Compensation for loss of use of the product or consequential loss of any kind.

In the interests of continuous product improvement, Heritage reserves the right to alter product specifications without notice.

Need help?

In the unlikely event that you encounter a problem with your Heritage product, you must, in the first instance, contact the retailer you purchased it from. They will advise as to whether it is due to a manufacturing fault or an installation fault. If the problem is due to a manufacturing fault, they will contact us to arrange a supply of a replacement product as soon as possible. To speak to a Heritage customer service advisor, please contact our technical helpline on **0844 701 8503**.





Heritage Bathrooms
Birch Coppice Business Park
Dordon
Tamworth
B78 1SG

Website: www.heritagebathrooms.com

Telephone: 0844 701 8503

Email: technical@heritagebathrooms.com

HFI (SBSHE05) REV. D1

