

# HERITAGE

## BATHROOMS

### *Installation Guide*



Models Covered:

**Sequential and Concentric  
Exposed Shower Valves**

Please keep this booklet for future reference.

Installer: When you have read these instructions, please ensure you leave them with the user.

---

# INTRODUCTION

---

Thank you for buying a Heritage Product. When you buy a Heritage product, you can be confident that it not only features a beautiful, distinctive, classic design, but that it has also been made to the very highest quality standards.

To ensure that it works to its full potential, it needs to be fitted correctly.

These fitting instructions have been created to give you all of the information you need and, if you need any further help, please do not hesitate to give us a call on: 0330 026 8503.

---

## CONTENTS

---

SAFETY NOTES	3
SPECIFICATION	4
INSTALLATION REQUIREMENTS	5-7
PRIOR TO INSTALLATION	8-9
TOOLS REQUIRED	10
INSTALLATION	10-11
OPERATION	11
MAINTENANCE	12-17
TROUBLESHOOTING	18
CARING FOR YOUR PRODUCT	19
GUARANTEE	19
NEED HELP?	19



---

# SAFETY NOTES

---

Please make sure you read these instructions and retain for future use.

All products manufactured by Heritage Bathrooms are safe, providing they are installed and used correctly and also receive maintenance when needed.

These fittings, including the connecting water and waste system need to be installed in accordance with and meet the requirements of the Water Supply Regulations 1999 (Water Fittings) and current by-laws. If you are in doubt about your ability to install this product correctly or safely, you should employ the services of an experienced qualified plumber.

This product must not be modified in any way otherwise this will invalidate the guarantee.

Remove all packaging and check the contents for damage before starting installation.

**Warning:** Before installing the new mixer valve it is essential that you thoroughly flush through the pipework in order to remove any remaining swarf, solder, etc. Failure to carry out this procedure could cause problems or damage to the workings of the mixer tap.

Fitting isolating valves to the inlet feeds is required for ease of maintenance.

**Warning:** Do not operate the mixer if you suspect it is frozen. Do not site the mixer valve where it might be subjected to freezing conditions.

Consider the following whilst using power tools:

- Prior to drilling into walls, check there are no hidden electrical cables or wires and there are also no water pipes. These can potentially be found using an electrical or metal detector. You may also need to know some of the schematics of previous installations to determine the suitability and accommodation of the installation.
- Wear the correct PPE, especially ear, eye and hand protection when using power tools. Unplug any mains equipment after use.
- Keep electrical equipment away from sources of water.
- If a blow-lamp is used when plumbing, the flame must be kept well away from the product otherwise damage may occur.

If in doubt, contact a registered plumber, your Local Water Authority or the Secretary of The Institute of Plumbing, address as follows;-

The Institute of Plumbing,  
64 Station Lane,  
Hornchurch,  
Essex, RM12 6NB  
Tel:01708 472791



---

# SPECIFICATION

---

## Shower Valve:

Inlet connection: 15mm compression with 136-158mm adjustable centres.

Outlet connection: G 1/2"

Operating pressure range: Min. 0.2 Bar - Max. 5.0 Bar

Maximum recommended imbalance between hot and cold supply should not exceed a ratio of 5:1.

Maximum Static Pressure: 10 Bar

System Requirements: Suitable for all plumbing systems

Note: Nominally equal (balanced) inlet supply pressures are recommended for optimum performance.

If the fitting is installed at low pressure (tank fed), then the minimum distance from the outlet to the underside of the cold tank should be at least 1 metre to ensure adequate performance

## Supply Requirements:

Minimum cold water supply temperature: 5°C.

Maximum cold water supply temperature: 25°C.

Maximum hot water supply temperature: 80°C.

BS 8558 recommends hot water should be stored and distributed at a temperature of not less than 60°C which will help minimise the build-up of lime scale in hard water areas. A maximum hot water supply temperature of 60 - 65°C is recommended for ablutionary purposes.

Note: The inlet hot water temperature must be at least 10°C above the required blend temperature (eg. mixer temperature 41°C: minimum hot supply 51°C).

Maximum Outlet Temperature: Factory pre-set to 42°C

Recommended Usage			
Domestic	✓	Heavy Commercial	✗
Light Commercial	✗	Health Care	✗

These showers are designed to be used in conjunction with Heritage shower kits. We cannot guarantee compatibility or adequate performance when used with other kits. This would also invalidate your guarantee. Please refer to the installation manual supplied with your Heritage shower kits for their specification information.



# INSTALLATION REQUIREMENTS

This shower valve must be installed in compliance with current water regulations. If you have any doubts about the water regulation requirements contact your local water services provider or use the services of a professional plumber.

This shower valve is suitable for use with the following water supply systems:

- **Gravity Fed Hot and Cold**  
(pressure imbalance should not exceed a ratio of 5:1 - see Specification section)
- **Gravity Fed Hot and Mains Cold**  
(pressure imbalance should not exceed a ratio of 5:1 - see Specification section)
- **Instantaneous water heater**  
(combination boiler)
- **Unvented System**
- **Pumped System**

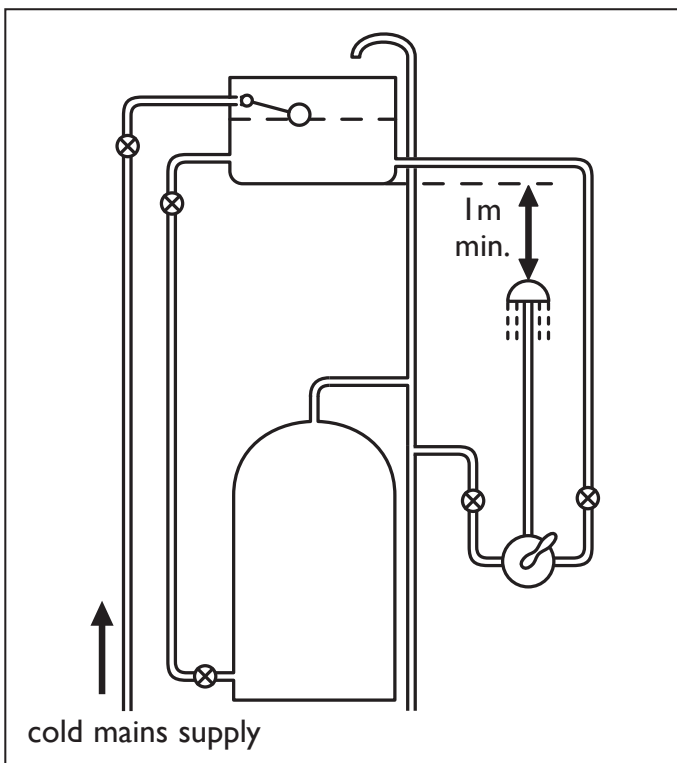
**⚠ Important:** If you install this shower valve with a gravity fed system, there must be a minimum head (vertical distance) from the underside of the cold water storage tank to the outlet of at least 1 metre .

**Note:** Pumped system (with Essex flange)  
If you install this shower valve to a pumped gravity fed system where the minimum head (vertical distance) from the underside of the cold water storage tank to the top of the hot water cylinder is less than 1 metre we recommend an Essex flange is used as shown.

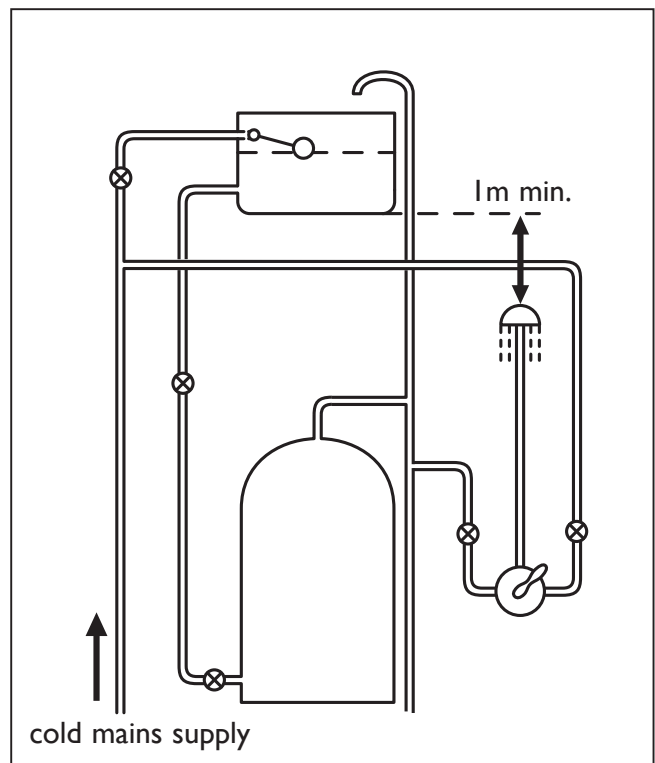
## Flushing Pipe-work

**Important:** Before connecting the shower valve (see 'Installation' on pages 11-12), the supply pipe-work must be flushed to clear debris before connecting the shower. Debris will reduce the performance and life of the mixer.

## Gravity Fed Hot and Cold



## Gravity Fed Hot and Mains Cold

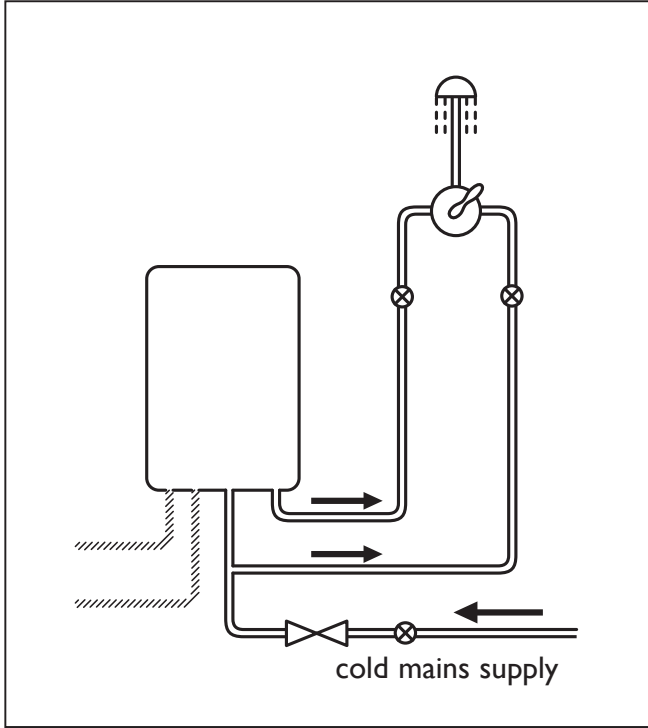


**Key:** ⊗ Isolating Valve    ⋈ Reducing Valve    ⦿ Shower Valve    ⚡ Pump    ⚒ Essex Flange

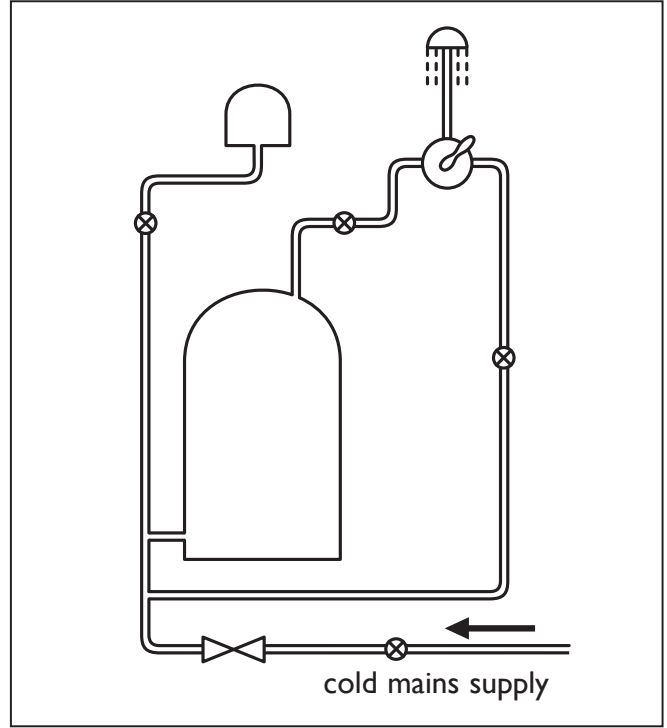


# INSTALLATION REQUIREMENTS

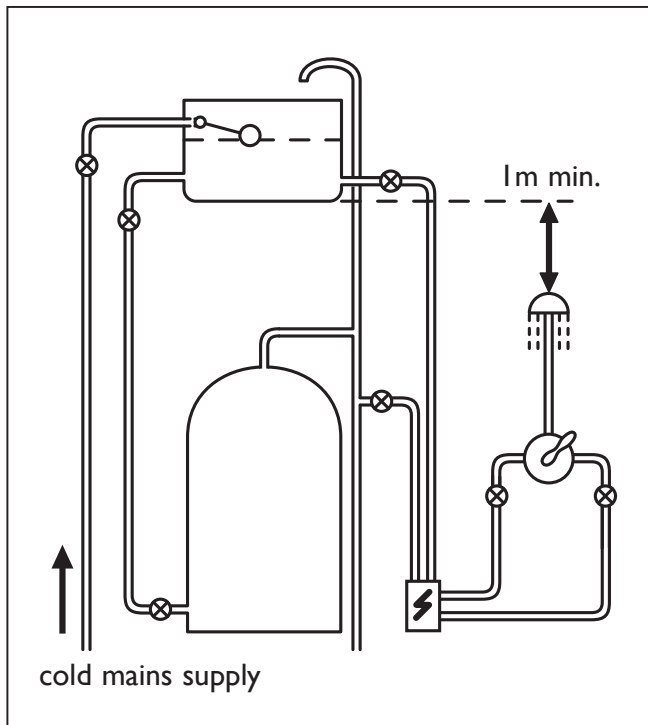
## Instantaneous Water Heater



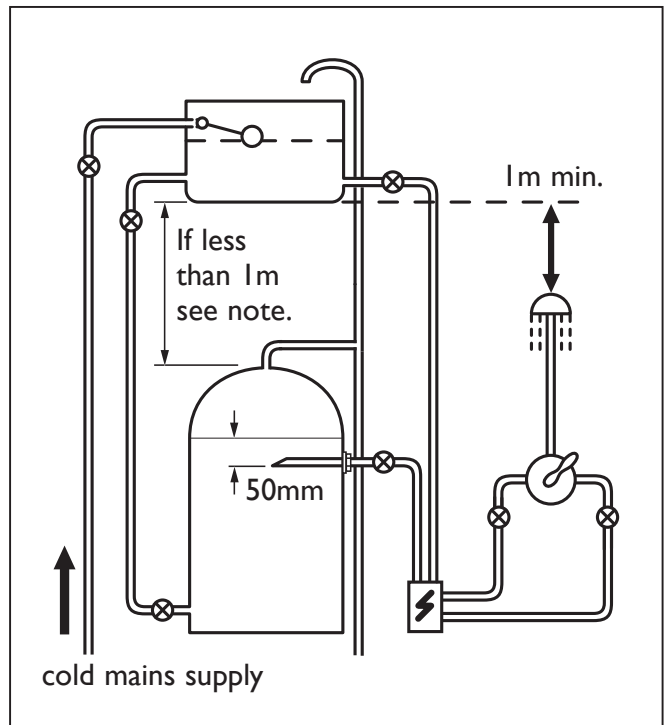
## Unvented System



## Pumped System



## Pumped System (with Essex flange)



**Key:** ⊗ Isolating Valve    ⋈ Reducing Valve    Ⓢ Shower Valve    ⚡ Pump    ⚒ Essex Flange

# INSTALLATION REQUIREMENTS

This fitting needs to be installed in accordance with the following Installation Requirements and Notes (IRN) to ensure they meet the requirements of the Water Supply (Water Fittings) Regulations 1999 and the Scottish Byelaws 2004.

IRN R001: See text of entry for Installation Requirements or Notes.

IRN R040 - Schedule 2-15 (1): The fitting shall be installed so that its outlet discharges above the spill-over level of any fixed appliance as indicated below:-

For backflow protection in domestic or installations up to, and including, Fluid Category 3.

If the fitting cannot be installed as indicated in the table opposite it shall be installed as either a or b below:

a: with an approved double check valve assembly or some other no less effective backflow prevention device immediately upstream of the inlet.

b: so that it draws water by gravity only from a cistern, or cylinder having a permanently open vent pipe, and the distributing pipe supplies no other fittings (other than a draining tap) at a lower level.

For backflow protection in premises or installations up to, and including Fluid Category 5.

The vertical distance of the outlet above the spill-over level shall be not less than 20mm or twice the diameter of the inlet pipe to the fitting, which ever is the greater. If the fitting cannot be installed as indicated it shall be installed with a backflow prevention arrangement suitable for the Fluid Category.

Size of tap or combination fitting	Vertical distance of outlet above spill-over level
1. Not exceeding 1/2"	20mm
2. Exceeding 1/2" but not exceeding 3/4"	25mm
3. Exceeding 3/4"	70mm



# PRIOR TO INSTALLATION

Two 8 litre per minute flow regulators have been pre-fitted to this product for water efficiency.

If you have low water pressure, or certain water supply systems these may need to be removed in order to achieve adequate flow. Please see the table to check whether the flow regulators need to be removed.

Supply System		Flow Regulator		Comments
Hot Supply	Cold Supply	Hot Supply	Cold Supply	
0.1 - 1.0 bar	0.1 - 1.0 bar	Not Required	Not Required	Maximum pressure loss ratio 5:1 between inlets
1.0 - 5.0 bar or pumped	1.0 - 5.0 bar or pumped	White (8 litre)	White (8 litre)	Optional, can be used if water economy is required
Gravity Fed 0.1 - 0.5 bar	Mains 1.0 - 10 bar	Not Required	White (8 litre)	
Gravity Fed over 0.5 bar		White (8 litre)	White (8 litre)	
Unvented Mains/ Mains Pressurised		White (8 litre)	White (8 litre)	
Instantaneous Water Gas Heater		White (8 litre)	White (8 litre)	It may not be necessary on some gas water heaters to have a flow regulator on the hot water supply.
Instantaneous Water Electric Heater		Not Required	White (8 litre)	It is a requirement that a stable flow of water passes through the heater. This can be achieved by fitting a flow stabiliser before the heater. The heater temperature should also be adjusted to 45-50°C
Any vented (open outlet) Heater Gas/Electric e.g. Electric Shower		<b>Do not use mixer valves with this type of water system; this would be extremely dangerous!</b>		

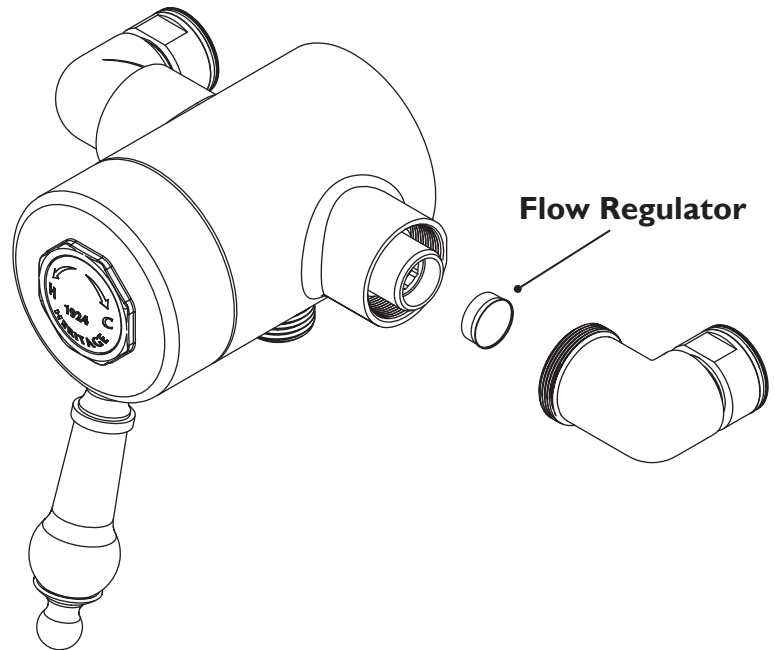




# PRIOR TO INSTALLATION

## To Remove/Replace:

1. Unscrew both inlet elbows anti-clockwise from the valve body.
2. Remove the flow regulators using long-nosed pliers.
3. Screw the inlet elbows clockwise to fit back into the valve body.



## Configuring the Inlet Elbows:

The shower valve is supplied with elbows (pre-fitted) that can adjust between 136-158mm. The elbows can be pointed to feed from the top, bottom or rear.

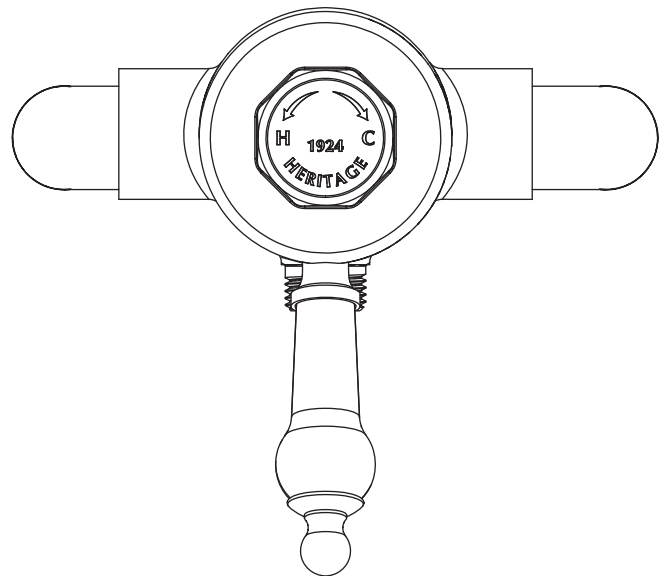
**Two full turns are required to fit the elbow into the body properly.**

136-158  
Centres

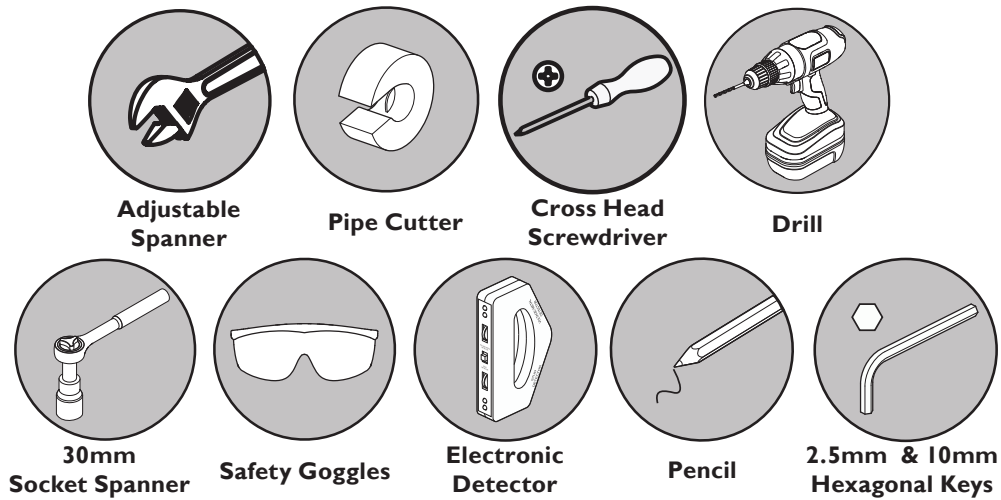
A horizontal dimension line with arrows at both ends, indicating the distance between the centers of the two inlet elbows. The text '136-158 Centres' is positioned above the line.

## To Adjust Elbows:

1. Unscrew both inlet elbows anti-clockwise from the valve body.
2. Screw in the desired elbows clockwise for two complete turns to fit. This will set to largest possible centre measurement.
3. The elbows can be screwed a maximum of 1.5 turns after fitting for adjustment. Screw further clockwise to reduce the centre measurement; anti-clockwise to increase.



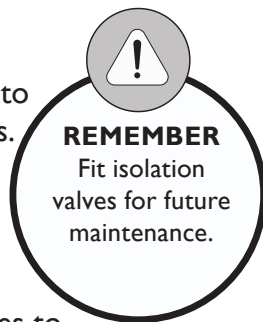
# TOOLS REQUIRED



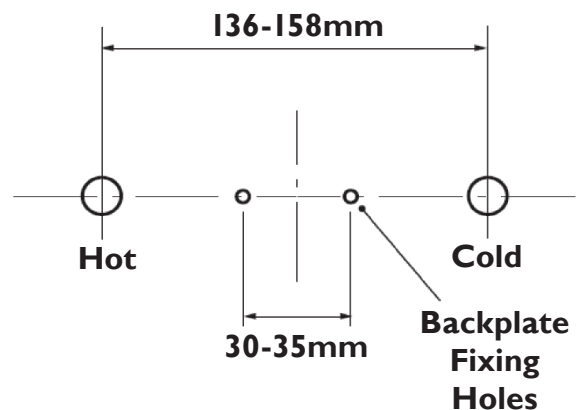
# INSTALLATION

1. Prepare the 15mm water pipework, leaving sufficient pipe protruding from the finished wall to fit into the elbows.

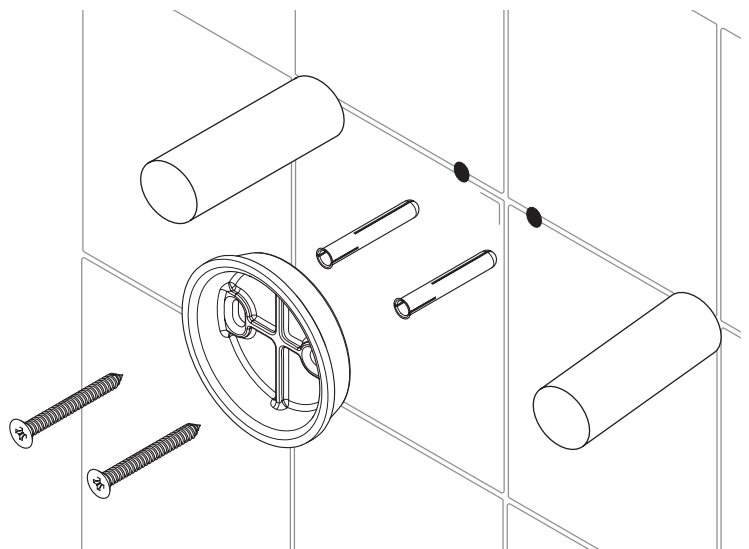
Flush through the pipework to ensure removal of any debris. Turn off the mains water supply and close any isolating valves.



- ⚠ Important:** Water supplies to the mixer must be with hot on the left and cold on the right when viewed from the front.



2. Measure the centre distance. Measure the half-way point between the centres and mark on the wall.
3. Configure the inlet elbows to meet the centre distance.
4. Undo the grub screws at the back of the shower valve to remove the backplate. Place the backplate on the marked half-way point between the centres and mark the fixing holes.

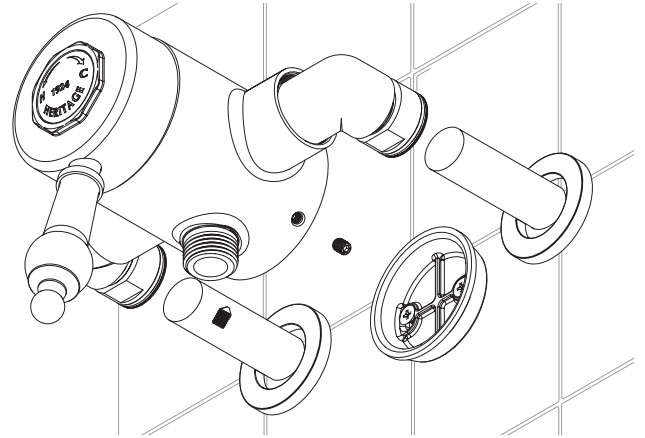


# INSTALLATION

5. Drill the fixing holes using a suitable drill bit. A pilot drill will be required if drilling into tiles. Insert the wall plugs and screw the backplate to the wall.

**Warning:** Please check for any hidden pipes and cables before drilling holes into the wall.

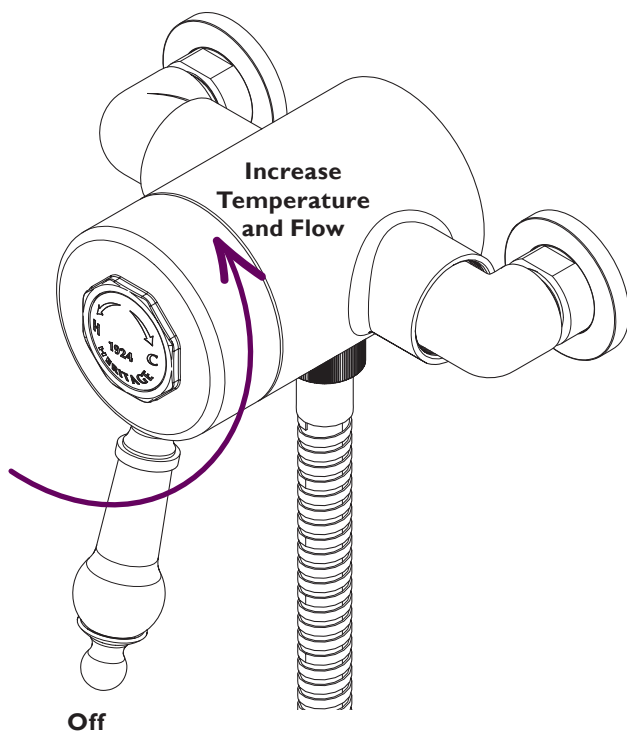
6. Place the plinths over the water supply pipes. Feed the shower valve on to the water supply pipes and tighten with the nut and olives. Secure the valve to the back plate using the grub screws.



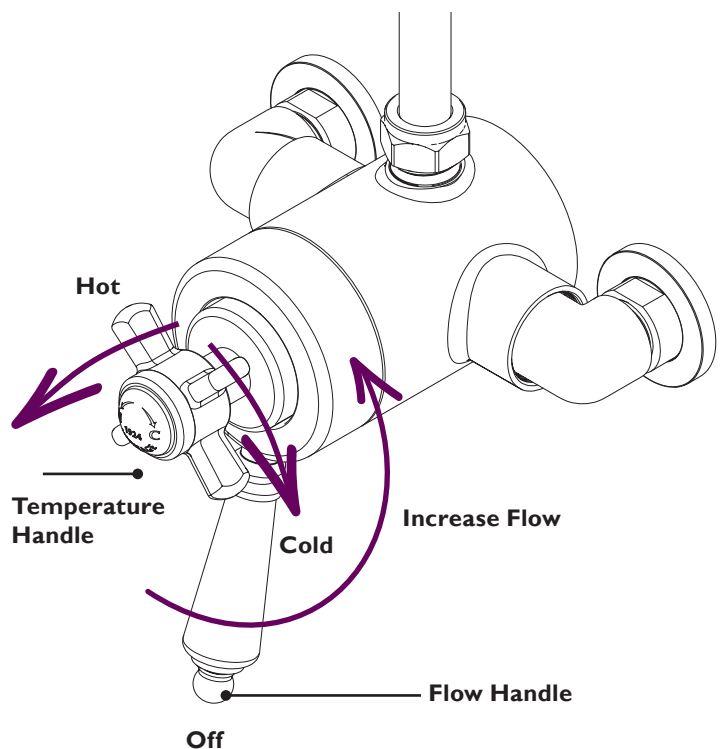
Please refer to your shower kit instruction manual to install the shower kit.

# OPERATION

## Sequential Shower Valves:



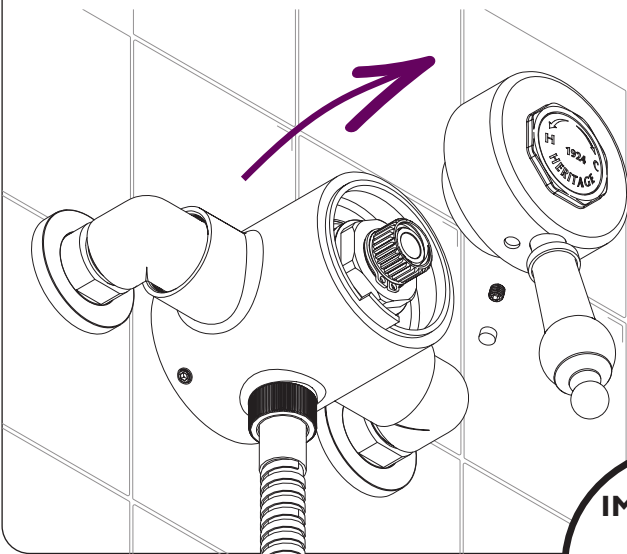
## Concentric Shower Valves:



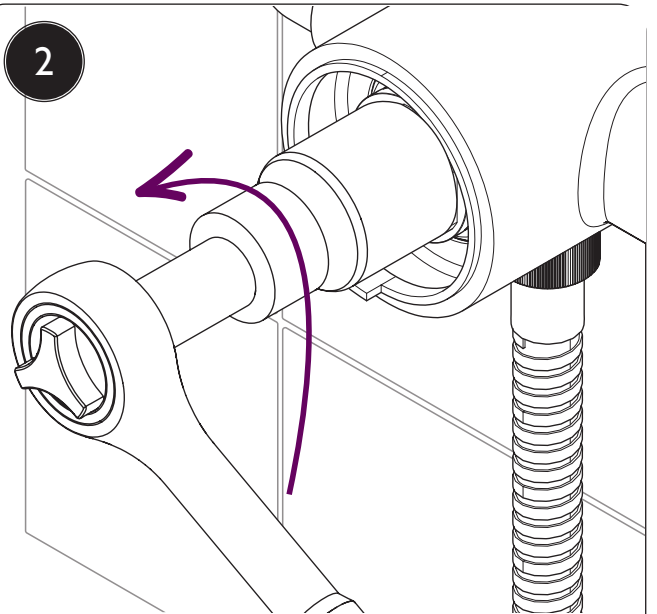
# MAINTENANCE - SEQUENTIAL SHOWER VALVES

## 1 Replace/Clean Cartridge:

Undo the grub screw to remove the handle.



2



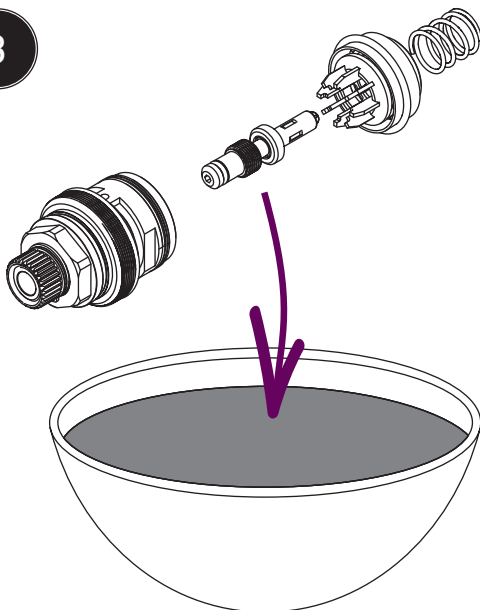
Use a 30mm socket spanner to unscrew the cartridge from the valve body. Carefully remove the cartridge and spring.



### IMPORTANT

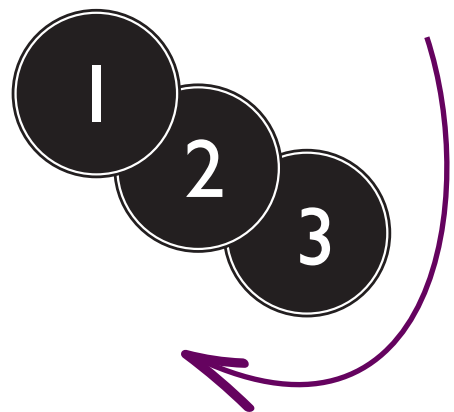
Isolate the water supply before starting!

3



Remove all seals and check for any damage. Place the cartridge in a suitable solution and soak until fully de-scaled. Rinse thoroughly. Replace all seals and grease with a WRAS approved sealant.

4



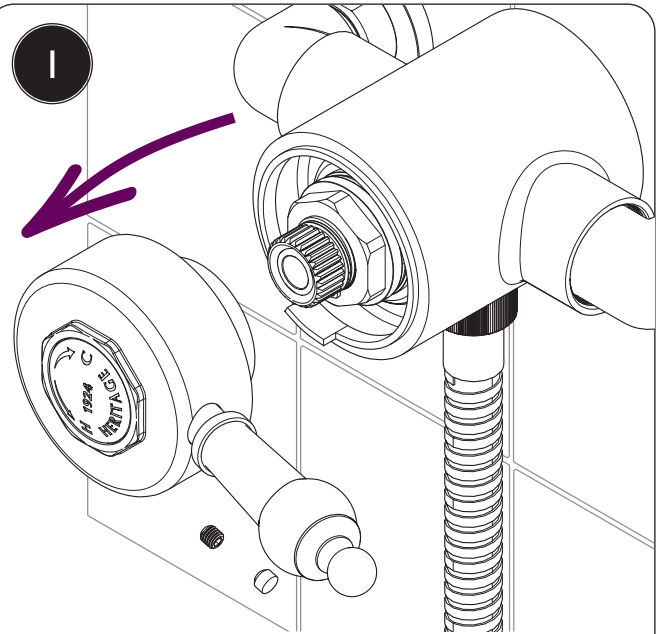
Reverse the steps to re-fit the cartridge and handle. Reset the maximum temperature.



# MAINTENANCE - SEQUENTIAL SHOWER VALVES

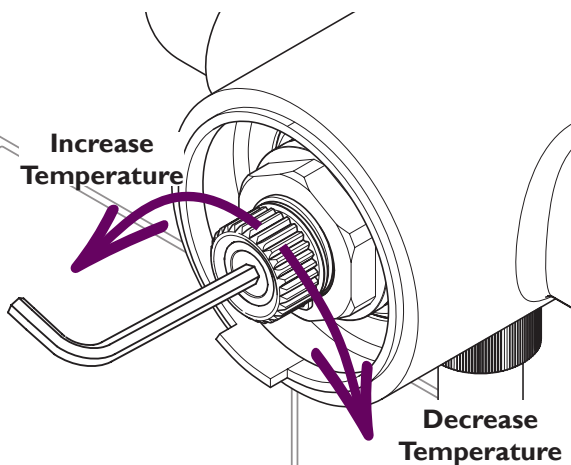
## Maximum Temperature Setting:

The shower has been pre-set to 41°C. This is based on being fitted with nominally balanced pressures with the hot water inlet supply at 65°C. If your operating conditions are different to the above your maximum outlet temperature may differ. We recommend setting the maximum outlet temperature no higher than 43°C.

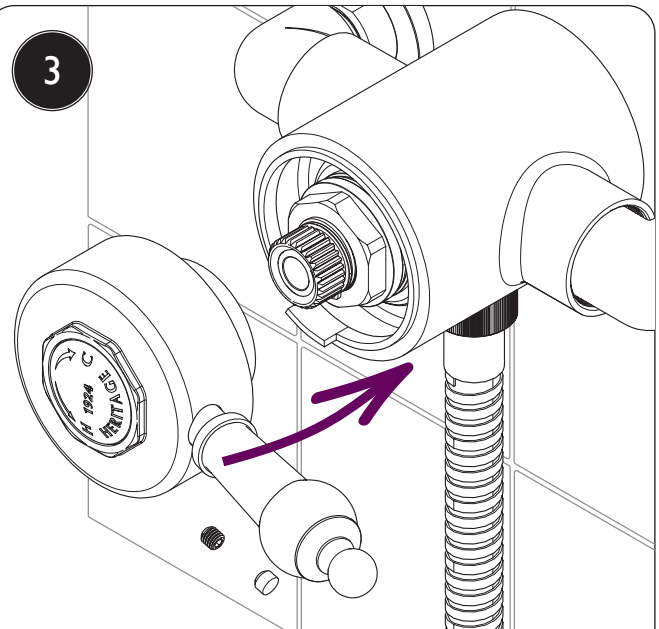


Turn the temperature handle to the maximum temperature. Undo the grub screw to remove the handle.

**2** Using the 2.5mm hex key supplied, adjust the temperature:



Wait for a couple of minutes for the temperature to stabilise after adjusting. Measure the water outlet temperature using a thermometer. Adjust until the desired temperature is reached.

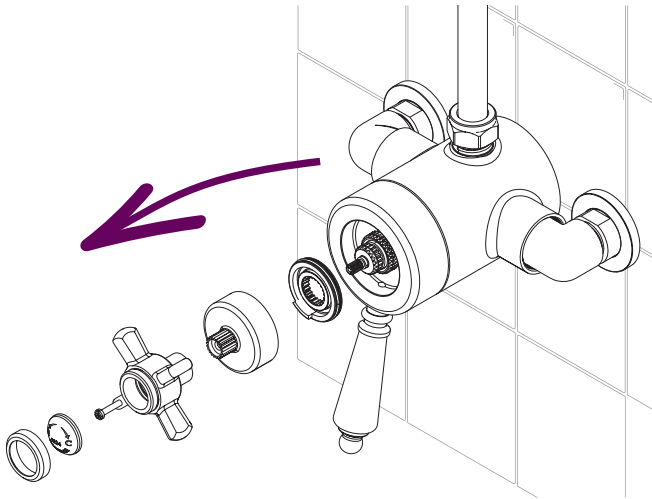


Re-fit the temperature handle back in the maximum temperature position.



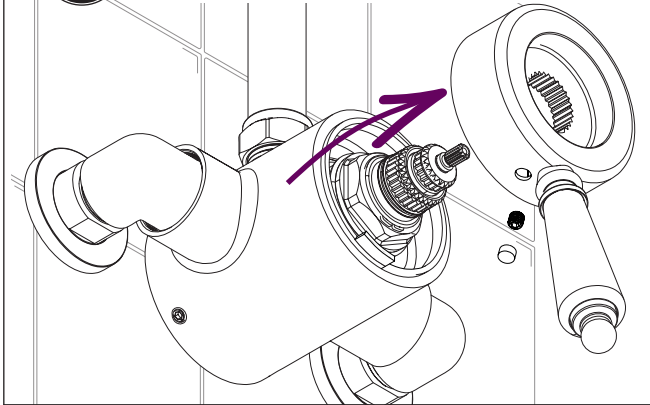
# MAINTENANCE - CONCENTRIC SHOWER VALVES

## 1 Replace/Clean Cartridge:



Undo the indice housing and unscrew the screw to remove the temperature handle. Unscrew the shroud and remove the temperature stop.

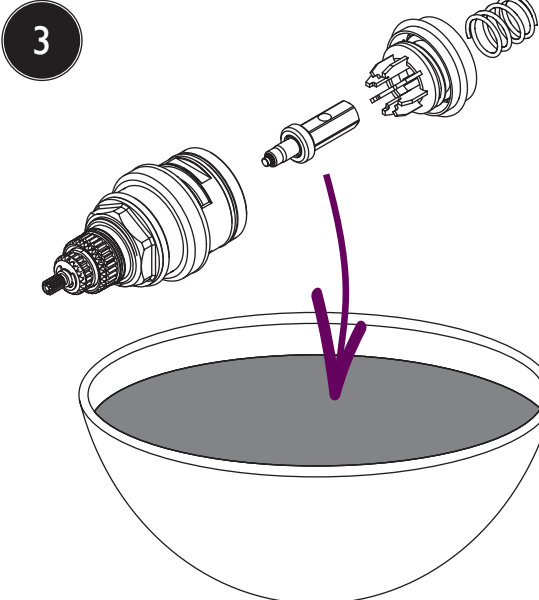
## 2 Undo the grub screw to remove the flow handle.



Use a 30mm socket spanner to unscrew the cartridge from the valve body. Carefully remove the cartridge and spring.

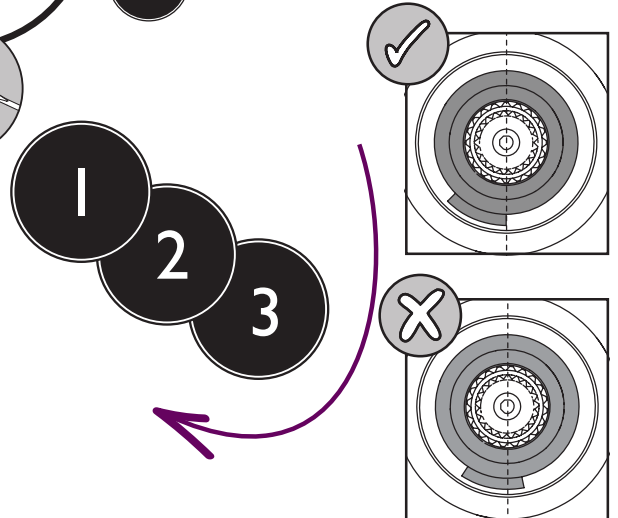
### IMPORTANT

Isolate the water supply before starting!



Remove all seals and check for any damage. Place the cartridge in a suitable solution and soak until fully de-scaled. Rinse thoroughly. Replace all seals and grease with a WRAS approved sealant.

## 4



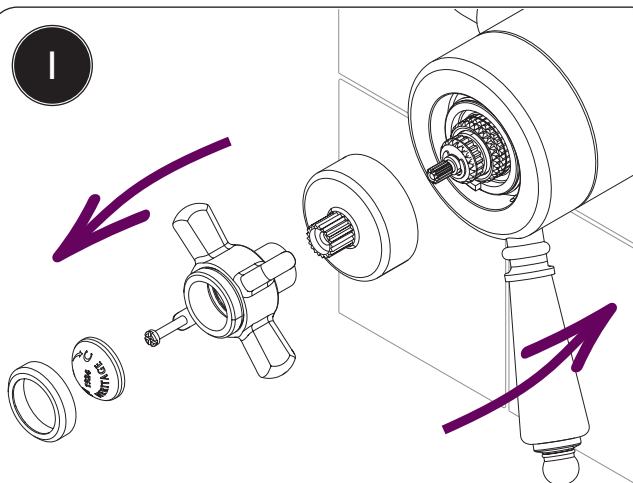
Reverse the steps to re-fit the cartridge and handle. Ensure the temperature stop is fitted correctly. The stop should sit at the bottom left, aligned centrally to the cartridge. Reset the maximum temperature.



# MAINTENANCE - CONCENTRIC SHOWER VALVES

## Maximum Temperature Setting:

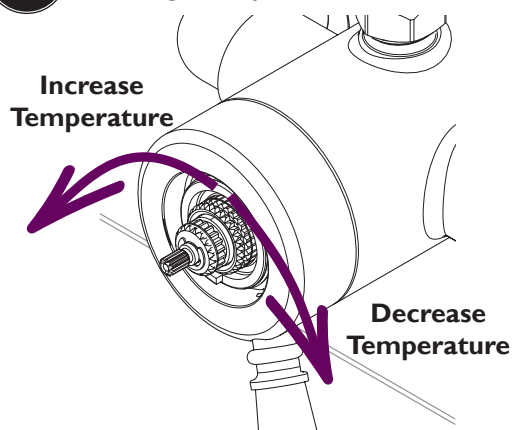
The shower has been pre-set to 41°C. This is based on being fitted with nominally balanced pressures with the hot water inlet supply at 65°C. If your operating conditions are different to the above your maximum outlet temperature may differ. We recommend setting the maximum outlet temperature no higher than 43°C.



Turn the temperature handle to the maximum temperature.

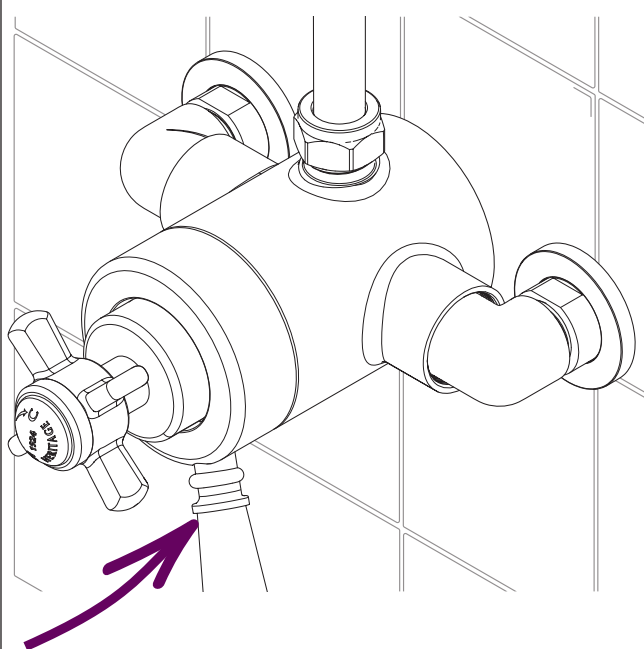
Remove the temperature handle and unscrew the shroud. Turn on the shower.

2 Adjust the maximum temperature by turning the spindle:



Wait for a couple of minutes for the temperature to stabilise after adjusting. Measure the water outlet temperature using a thermometer. Adjust until the desired temperature is reached.

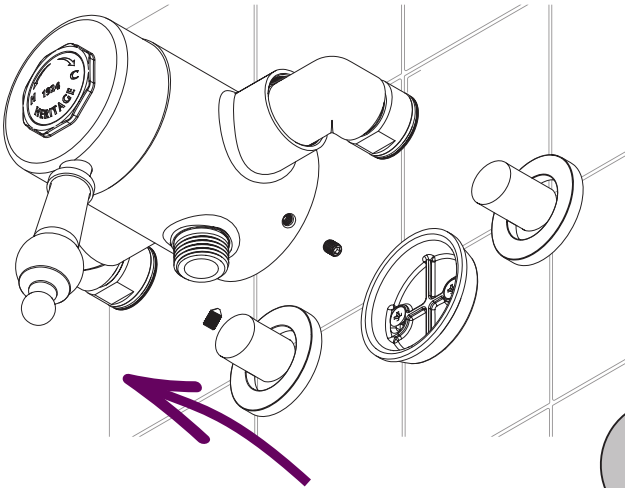
3 Re-fit the temperature handle back in the maximum temperature position.



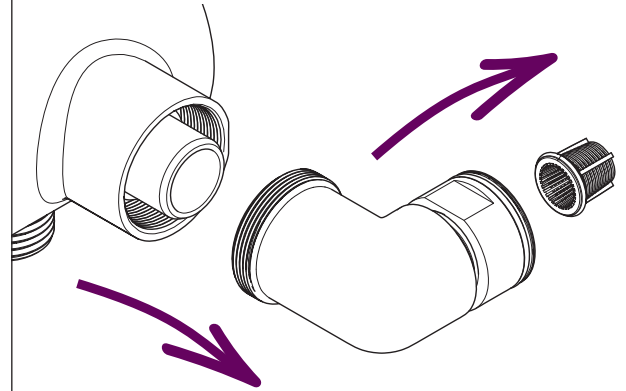
# MAINTENANCE

## Servicing the Elbows:

- 1** Disconnect your shower kit. Undo the compression nuts and grub screws at the bottom of the shower valve to remove from the wall.



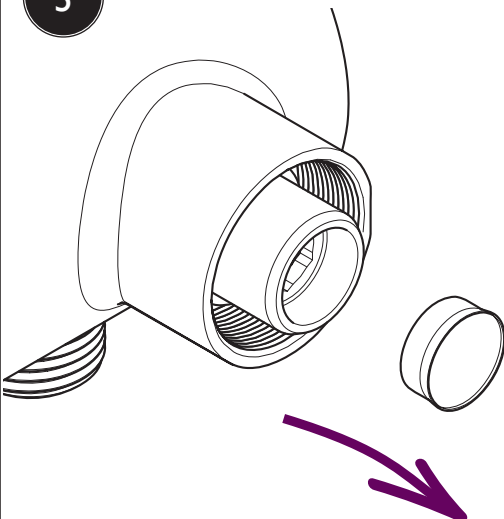
- 2** Remove the filters from both elbows and set aside. Unscrew the elbows completely from the shower valve.



### IMPORTANT

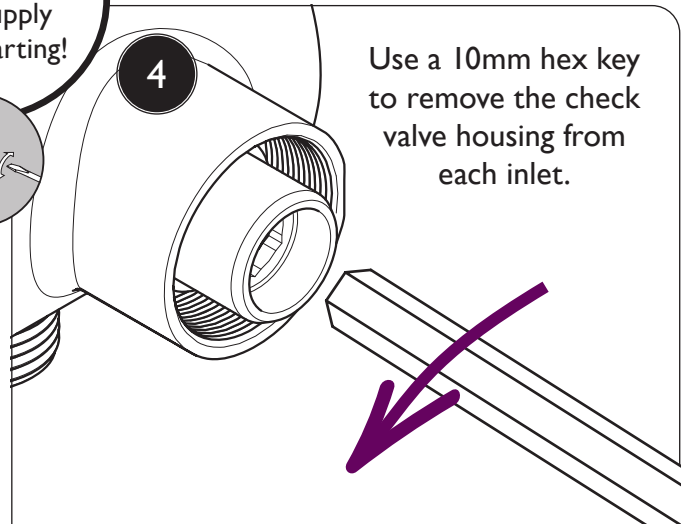
Isolate the water supply before starting!

**3**



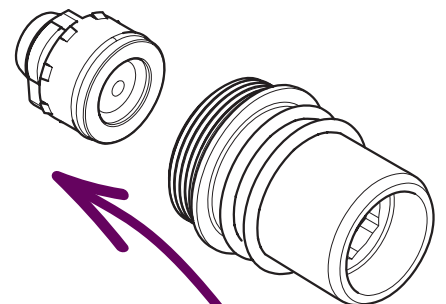
If installed, use a pair of long-nosed pliers to remove any flow regulators fitted. Set aside.

**4**



Use a 10mm hex key to remove the check valve housing from each inlet.

Remove the check valves from the back of each housing.

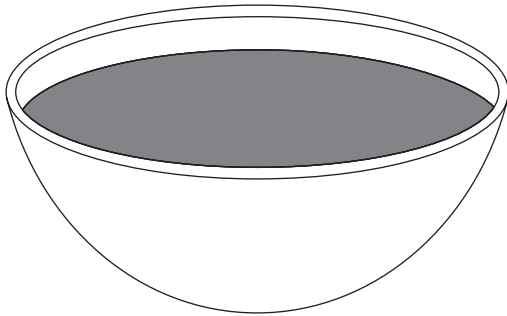
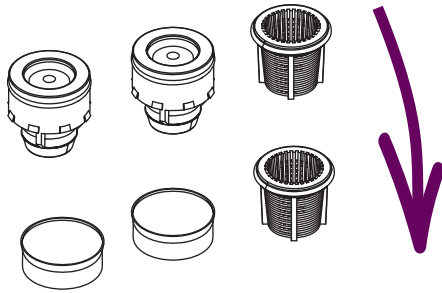




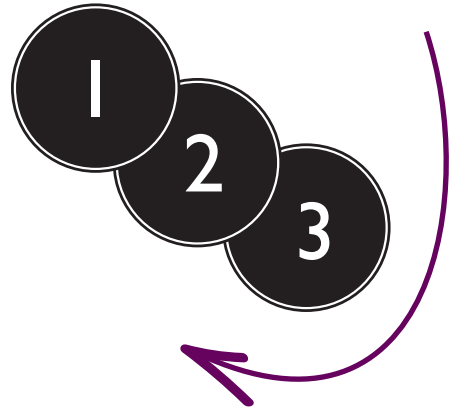
# MAINTENANCE

5

Check all components for damage and replace if necessary. Rinse thoroughly in clean water to remove any debris.



6



Reverse the steps to re-fit the elbows and secure the shower to the wall. Test all joints and connections for any leaks.

## Spare Parts



Please visit  
[www.heritagebathrooms.com](http://www.heritagebathrooms.com)  
or scan the QR Code and search  
for your product code to replace any  
available spare parts for your tap.



# TROUBLESHOOTING

Symptom	Cause	Remedy
<b>No flow or low flow rate</b>	Partially closed isolation valve.	Open isolation valve.
	Instantaneous water heater cycles on and off as flow rate or pressure is too low.	Increase water flow rate or pressure through system.
	Head of water is below the minimum distance required.	Refer to the specification for the minimum distance required.
	Are the water supply pressures balanced?	If pressures are unbalanced, a pressure reducing valve should be used for optimum performance.
	Hot or cold water being drawn off elsewhere causing pressure changes or instantaneous boiler temperature changes.	Do not use other water outlets when using the shower.
	Airlock or partial blockage in the supply pipework.	Flush through pipework and filters to ensure removal of debris and any airlocks.
	Hot/Cold water supply has failed	Check the hot and cold feeds. The shower will not work if either fails.
<b>Outlet Water Temperature too Hot/Cold</b>	Maximum Water Temperature needs adjusting.	Refer to the Temperature Setting section to set your desired maximum temperature.
	Filter/pipe blockage	Flush through pipework and filters to ensure removal of debris and any airlocks.
	Installation conditions outside operating parameters.	Refer to the specification for the minimum distance required.
	Hot water temperature is less than 10°C above the required blend temperature	Adjust hot water temperature or wait for water to reheat if a stored water system is used.
	Instantaneous water not igniting because the water flow rate is too low.	Increase water flow rate through the system. Refer to the Maintenance section to clean/ check the cartridge and filters for any damage. Contact your boiler manufacturer.
	Instantaneous water not igniting because the water pressure is too low.	Refer to the specification for system requirements. Increase water pressure through the system. Contact your boiler manufacturer.
<b>Only hot/cold water from Shower Valve</b>	Inlet water supplies are reversed.	Check the water inlet connections are the correct way around: Hot on the left, Cold on the right when viewed from the front. Rework pipework as necessary.
	Filter/pipe blockage	Flush through pipework and filters to ensure removal of debris and any airlocks.
<b>Water dripping from shower</b>	This is normal for a short time after using the shower.	This is caused by residual water tension, the build up of water in the shower.
	If water continues to drip, possibly due to the cartridge	Remove cartridge and clean, refer to 'Maintenance' section before starting any maintenance.
<b>Shower does not turn on</b>	Closed isolation valve.	Open isolation valve.
	Mains water supply turned off.	Turn on mains water supply.



---

## CARING FOR YOUR PRODUCT

---

Heritage products are made from premium materials, with hand polishing, PVD, EPD and electroplated finishes.

Your product should be regularly cleaned with warm water, a mild pH-neutral liquid soap, and polished with a soft cloth. Any residues from soap, toiletries etc. should be rinsed off straight after use.

Household bleaches and cleaners contain harsh chemicals and may damage the surface finish. Avoid using abrasive cloths, scouring pads, scrub sponges, steel wool or anything similar.

Some surfaces such as nickel and pewter may be affected by the dye found in some cloths, so it is also important to avoid leaving cloths on surfaces.

---

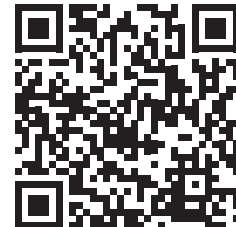
## GUARANTEE

---

The confidence we have in the quality of our products and services enables us to offer a free peace-of-mind product guarantee from 2 years up to a lifetime guarantee against any manufacturing faults, with proof of purchase. In addition, our attentive customer service team are available to help solve any problems which may arise quickly and effectively so you can enjoy your bathroom.

To see the specific guarantee for this product, scan the QR Code or visit the following URL:

<https://www.heritagebathrooms.com/service-centre/guarantee>



---

## NEED HELP?

---

In the unlikely event that you encounter a problem with your Heritage product, you must, in the first instance, contact the retailer you purchased it from. They will advise as to whether it is due to a manufacturing fault or an installation fault. If the problem is due to a manufacturing fault, they will contact us to arrange a supply of a replacement product as soon as possible. To speak to a Heritage customer service advisor, please contact our technical helpline on 0330 026 8503.



# HERITAGE<sup>®</sup>

## BATHROOMS

We love to see how Heritage products are used so please keep in touch and share pictures of your new bathroom with us.



@heritagebathrooms

Contact Us  
Bristan Group Ltd.  
A Masco Company

If you have any queries, our dedicated customer service teams and products experts are available to help.

Email us [enquire@heritagebathrooms.com](mailto:enquire@heritagebathrooms.com) Call us **+44330 026 8503** Website [www.heritagebathrooms.com](http://www.heritagebathrooms.com)

UK: Heritage Bathrooms, Pooley Hall Drive, Birch Coppice Business Park, Dordon, Tamworth B78 1SG

EU: Masco Europe S.à.r.l., 14 Rue Strachen, 6933 Mensdorf, Luxembourg.