

# SGDUAL06

## GLASTONBRY Shower Range

Glastonbury Recessed Thermostatic Dual Control Shower Valve with Premium Fixed Head and Flexible Riser Kits Brushed Nickel



### Specification

Finish/Colour:	Brushed Nickel
Main Construction Material:	Brass
No of Controls:	2
Shower Type:	Recessed Dual Control
Shower Head Type:	Fixed Head & Single Function Handset
Shower Kit:	Rigid Riser with Fixed Head
Valve/Cartridge Type:	40mm Diverter Cartridge
Maximum Hot Water Supply Temperature °C:	65
Plumbing System Suitability:	Suitable for all plumbing systems, ideally balanced
Minimum Dynamic Pressure (bar):	0.2
Maximum Dynamic Pressure (bar):	5
Maximum Static Pressure (bar):	10
Connection Inlet:	15mm Compression
Connection Outlet:	G 1/2"
Isolation Valve Included:	No
Check Valve Included:	Yes

### Features:

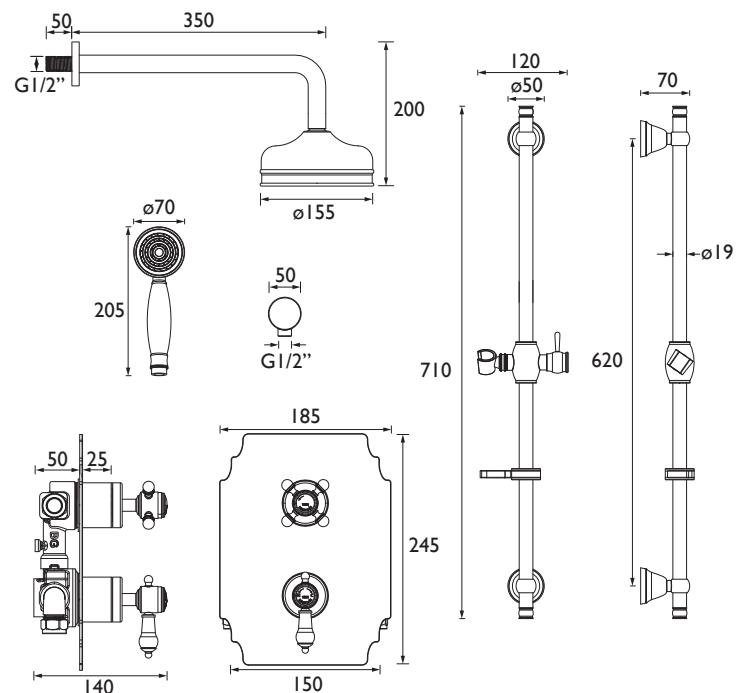
- This shower pack contains a Glastonbury recessed shower valve with a traditional round shower head and wall arm; a rigid riser shower kit with a single-function handset, hose and wall outlet
- Two outlet recessed valve option with dual controls for separate flow and temperature adjustability
- Thermostatic temperature control and automatic stop prevent surges of hot or cold water
- Smallest recessed valve on the market which has been designed to fit into a 35mm deep cavity space
- 15mm inlet connection

### Product Certifications:



### Additional Information:

### Dimensions (measurements in mm)



### Flow Rates (l/min)

System Pressure (bar)	0.2	0.5	1	2	3	5
Through Handset (mixed)	2	3.1	4.4	6.3	7.7	9.9
Through Fixed Head (mixed)	1.9	2.9	4.2	5.9	7.2	9.3

# TECHNICAL DATA SHEET



# HERITAGE<sup>®</sup>

BATHROOMS

DI

Heritage Bathrooms, Birch Coppice Business Park, Dordon, Tamworth, B78 1SG. Telephone: 0330 026 8503. Web Site: [www.heritagebathrooms.com](http://www.heritagebathrooms.com) Email: [technical@heritagebathrooms.com](mailto:technical@heritagebathrooms.com).

**\*Non-chrome product finishes carry a 3 year guarantee on finish.** All of our products are covered by a guarantee. Most include both parts and labour. Please note that guarantees are only valid with a proof of purchase.

Our guarantees apply to products in domestic use. Any products in commercial use carry a guarantee of 1 year. See [www.heritagebathrooms.com/warranty](http://www.heritagebathrooms.com/warranty) for more information.

The information contained on this page was correct at date of issue. Fitting Dimensions are provided as a guide only. Some variation may occur due to manufacturing tolerances.

Heritage Bathrooms pursues a policy of continuous improvement in design and performance of its products and so reserves the right to change specifications without prior notice.