



Features:

- Long life 1/4 turn ceramic disc valves for added durability and smooth control.
- Robust metal fixing nut to secure the tap in place reducing the risk of loosening over time.
- On trend brushed nickel finish.
- 10 year parts and 1 year labour guarantee for peace of mind.
- Also available in other finishes.
- Co-ordinating Bathroom taps, Recess shower and Accessories available.

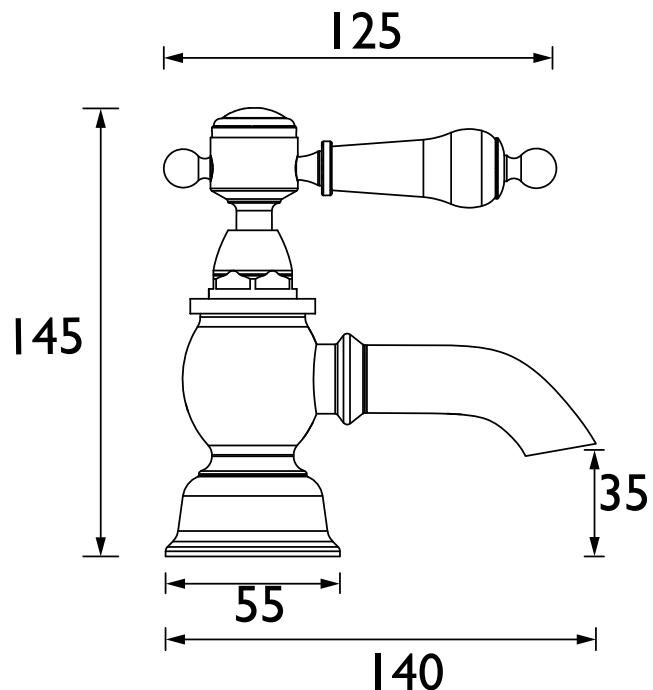
Product Certifications:

Additional Information:

Specification

Product Type:	Traditional
Main Construction Material:	Brass
Mount Type:	Deck Mounted
Handle Type:	Lever Handles
Connection Inlet:	G 3/4" BSP
Connection Outlet:	Open
Number of Tap Holes:	2
Valve/Cartridge Type:	1/4 Turn 3/4" Ceramic Disc Valve
Plumbing System Requirements:	Suitable for all plumbing systems
Minimum Dynamic Pressure (bar):	0.1 bar
Maximum Dynamic Pressure (bar):	5.0 bar
Maximum Hot Water Temperature °C:	60°C
Maximum Static Pressure (bar):	10 bar
Flow Type:	Single Flow
Isolation Included:	No

Dimensions (measurements in mm)



Flow Rates (l/min)

System Pressure (bar)	0.1	0.5	1	2	3	5
TGRCN01 (Cold)	11.1	25.6	36.2	50.7	61.8	79.8
TGRCN01 (Hot)	10.8	24.8	35.1	20.0	61.0	78.8