

SDCDUAL08

DAWLISH Shower Range

Dawlish Exposed Thermostatic Dual Control Shower Valve with Premium Fixed Riser Kit and Diverter to Handset Vintage Gold



Specification

Finish/Colour:	Gold Plated
Main Construction Material:	Brass
No of Controls:	2
Shower Type:	Exposed Concentric
Shower Head Type:	Single
Shower Kit:	Rigid Riser with Diverter
Valve/Cartridge Type:	Concentric Cartridge
Maximum Hot Water Supply Temperature °C:	65
Plumbing System Suitability:	Suitable for all plumbing systems
Minimum Dynamic Pressure (bar):	0.1
Maximum Dynamic Pressure (bar):	5
Maximum Static Pressure (bar):	10
Connection Inlet:	15mm Compression
Connection Outlet:	G 1/2"
Isolation Valve Included:	No
Check Valve Included:	Yes

Features:

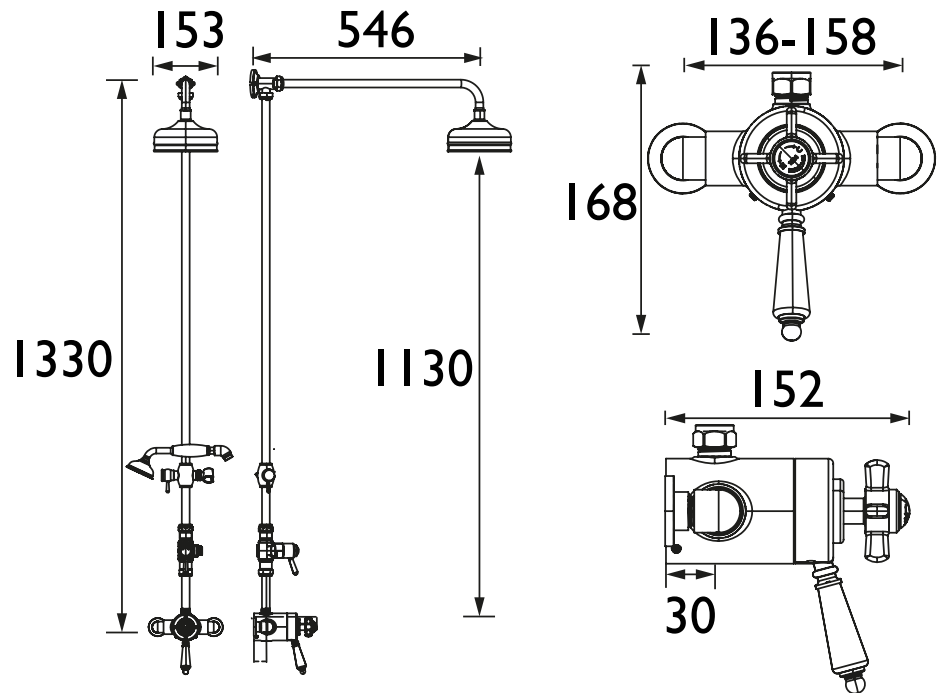
- Optimised for UK market, designed to work at pressure range of 0.1 - 5.0bar
- Thermostatic temperature control and automatic stop prevent surges of hot or cold water
- Performance Flow to provide a drenching experience
- Adjustable inlet centres, allowing you to use existing pipework with centres measuring anything between 136mm and 158mm.
- Large 6" shower rose

Product Certifications:



Additional Information:

Dimensions (measurements in mm)



Flow Rates (l/min)

System Pressure (bar)	0.1	0.5	1	2	3	5
Through Handset (mixed)	1.9	3.1	4.4	6.3	7.7	9.9
Through Fixed Head (mixed)	2.3	5.2	6.1	6.6	7.2	8.1

TECHNICAL DATA SHEET



HERITAGE[®]

BATHROOMS

D3