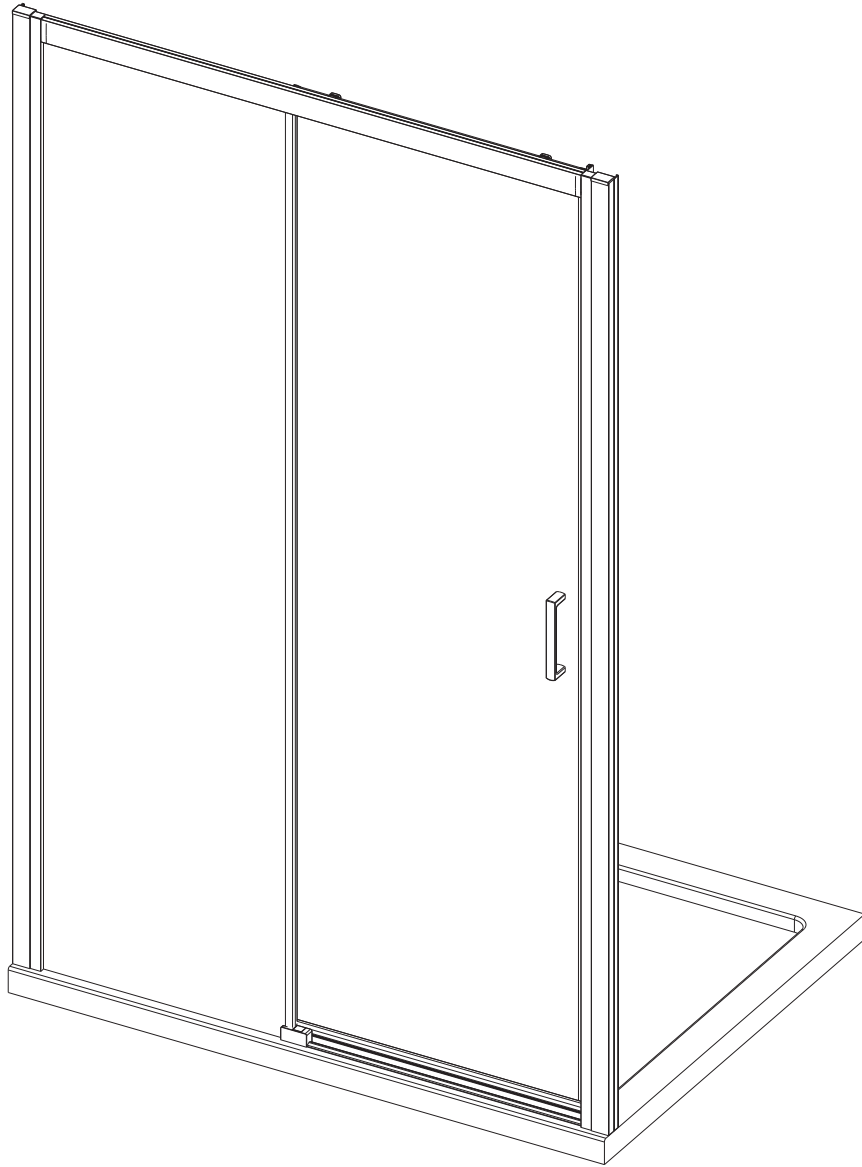


LOW LEVEL ACCESS SLIDING DOOR



INSTALLATION GUIDE

IMPORTANT:

**Please read the complete instructions
before commencing fitting.**

Make sure the tray is 100% level in all directions.

Do not attempt to install the product unless
you can tick all 4 boxes satisfactorily.

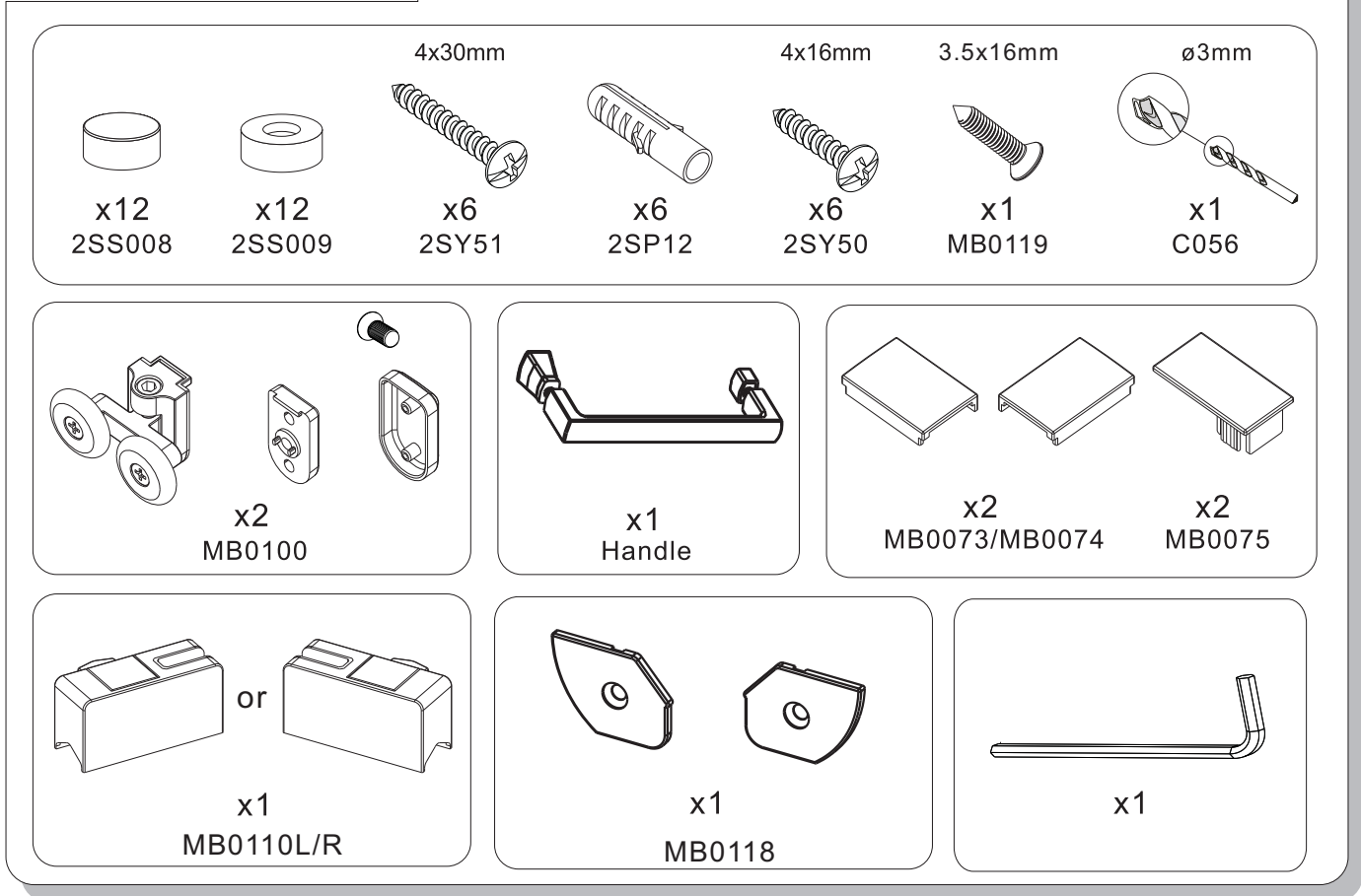
- Check that you have the tools required
- Check the installation site is compatible with
the sizes of door supplied
- Check all the enclosure components are present
- Check the installation kit is complete

The wall plugs supplied with the installation kit are
for use in solid walls. Hollow or 'stud partition'
wall will require alternative fixings. Please consult
a hardware supplier for the correct type.

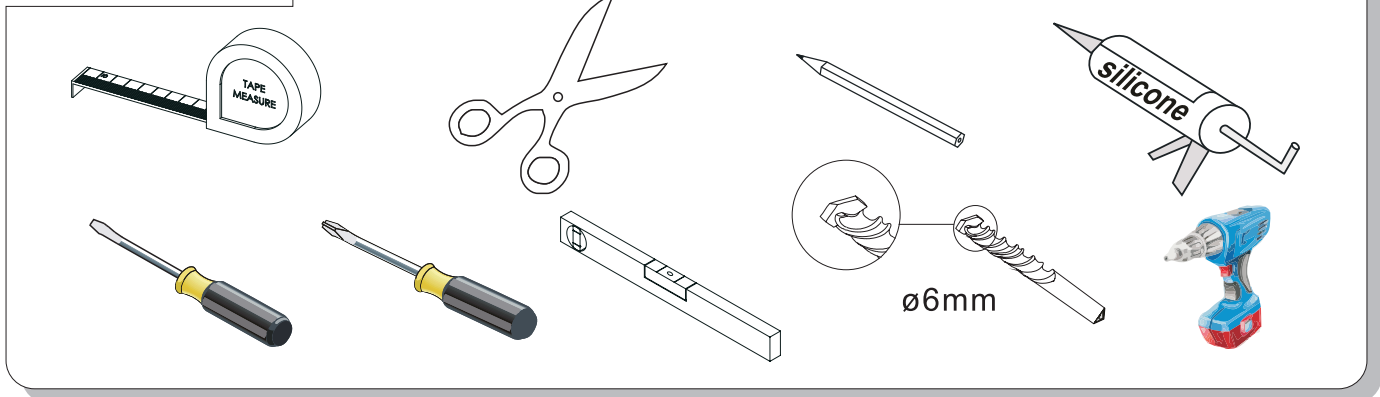
It may also be necessary to consult your tiling
supplier about the correct method for drilling your
tiles.

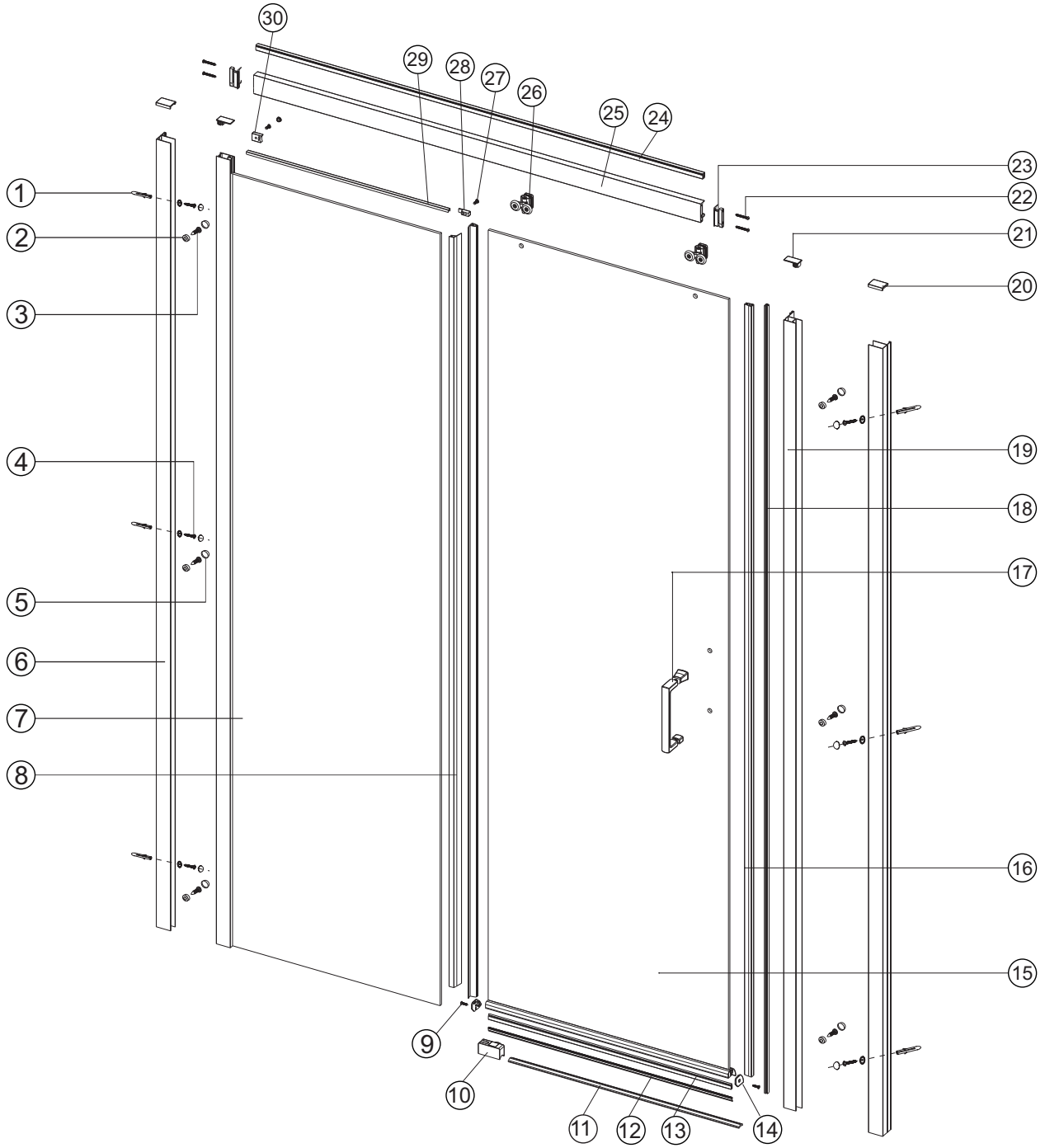
**ATTENTION: TAKE EXTREME CARE WHEN
HANDLING GLASS, WEAR PROTECTIVE EYEWEAR
AND CLOTHING. DO NOT LEAVE THE GLASS ON
HARD SURFACES AND AVOID CONTACT BETWEEN
THE GLASS EDGES AND HARD SURFACES OR
IMPACTS DURING THE INSTALLATION.**

Fixing kit components



Tools required





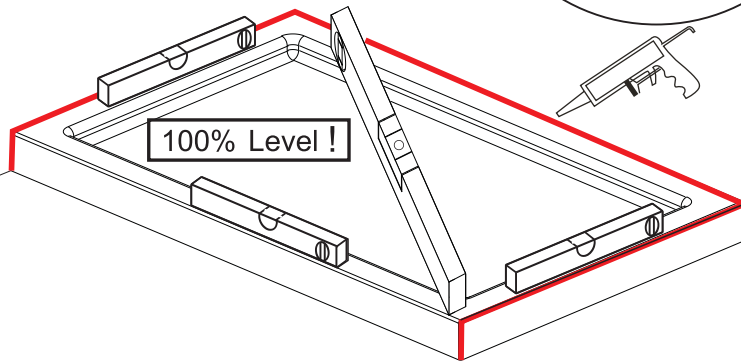
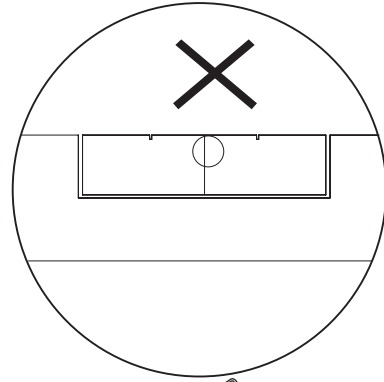
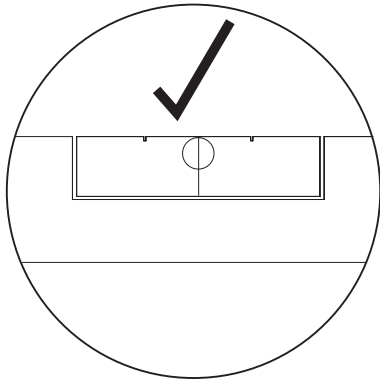
No.	Qty	Part No.
1	6	2SP12
2	12	2SS009
3	6	2SY50
4	6	2SY51
5	12	2SS008
6	2	MB 0001
7	1	A
8	2	MB 0051
9	2	MB 0119
10	1	MB0110L/R

No.	Qty	Part No.
11	1	MB0111
12	1	MB 0116
13	1	MB0115
14	2	MB 0118
15	1	B
16	1	MB 0044
17	1	Handle
18	1	MB 0043
19	1	MB0112L/R
20	2	MB0073/MB0074

No.	Qty	Part No.
21	2	MB0075
22	4	N081
23	2	MB0063/MB0064
24	1	MB0113
25	1	MB0017-23
26	2	MB0100
27	1	MB0068
28	1	A12S0020
29	1	MB0114
30	1	MB0065/MB0066

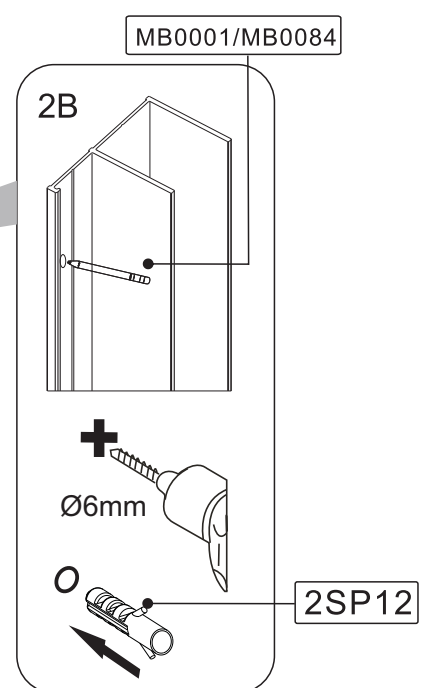
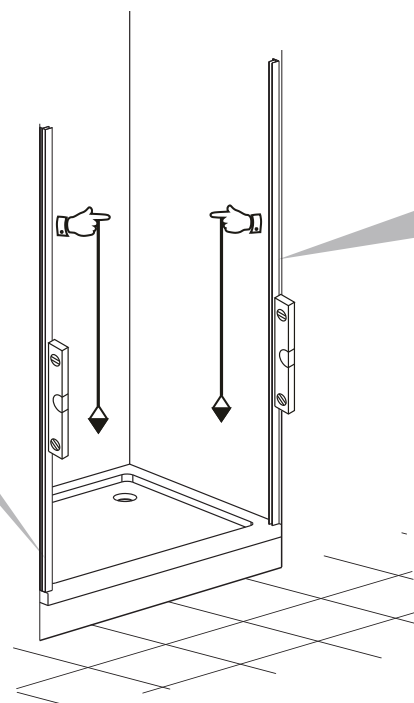
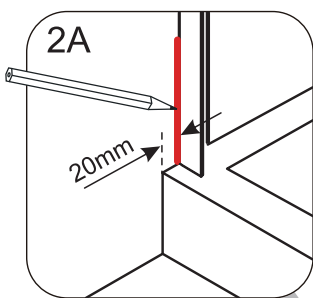
1

Please ensure your tray is 100% level in all directions before fitting your enclosure.



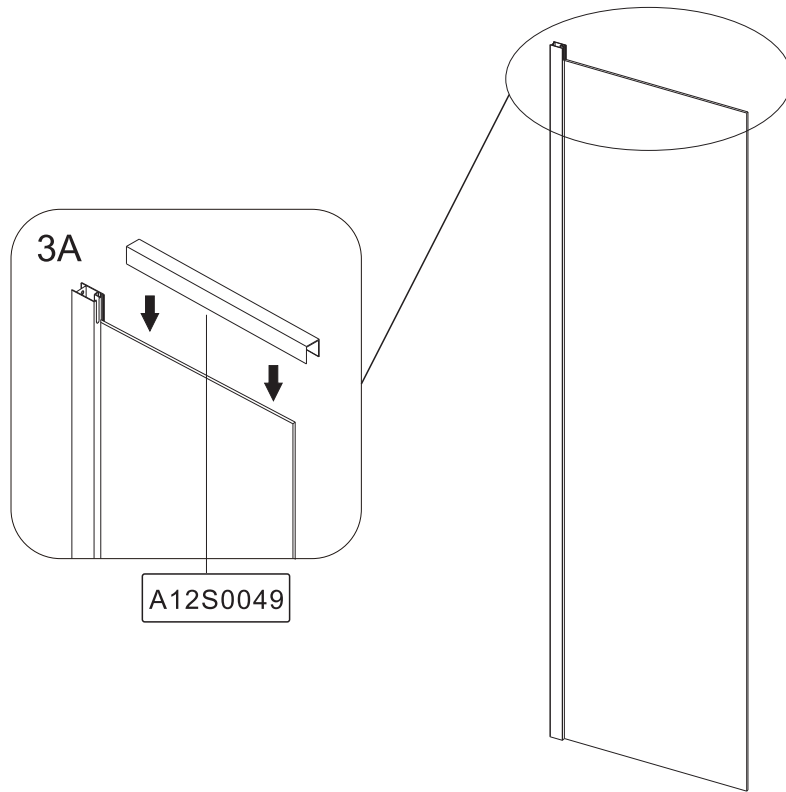
2

Determine your step in from the edge of the tray. 20mm is recommended. Plumb your wall profiles on each side then mark and drill your fixing positions. You can then remove your wall profiles and begin the frame assembly off the tray.



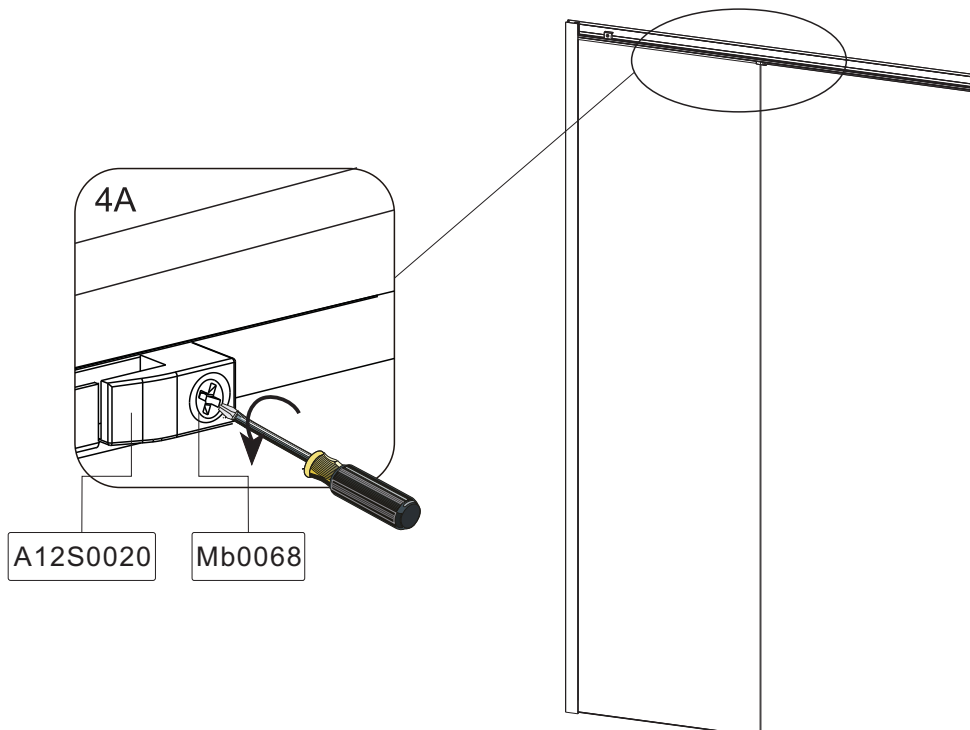
3

Fit the fixed panels seal to the top of the fixed panel.



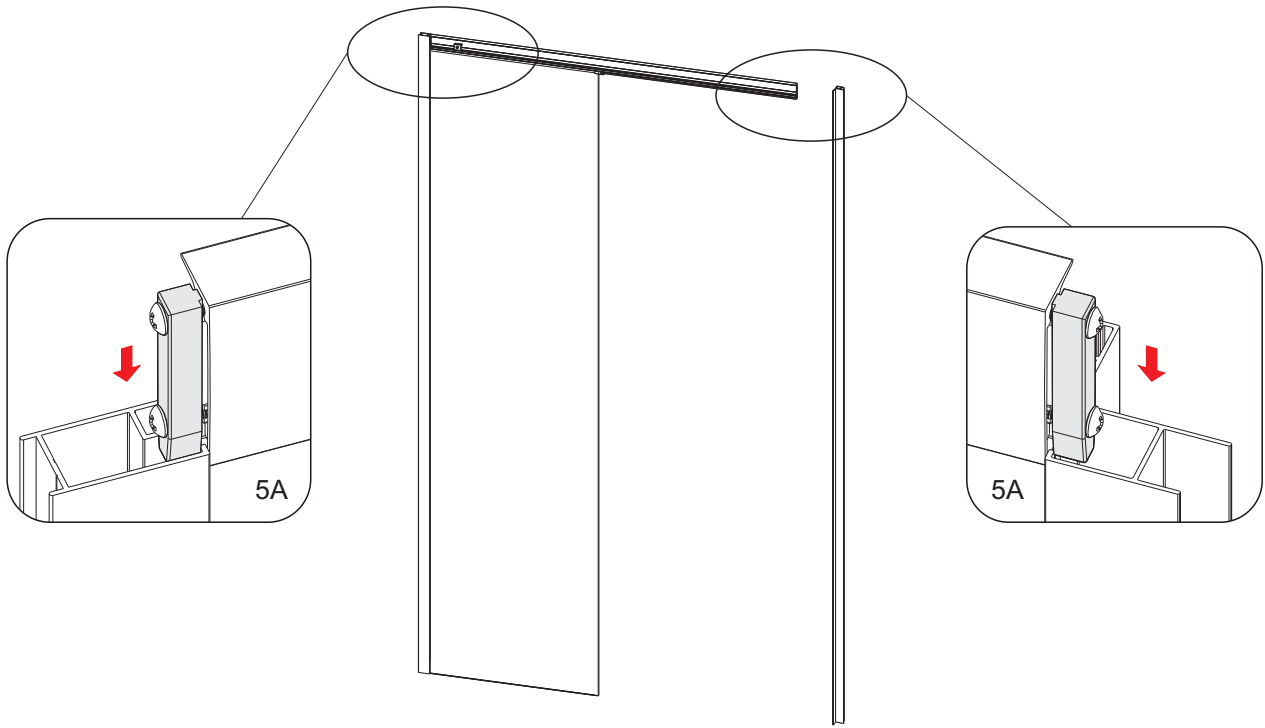
4

Loosen A12S0020 before you fit the top profile to the upright profile.

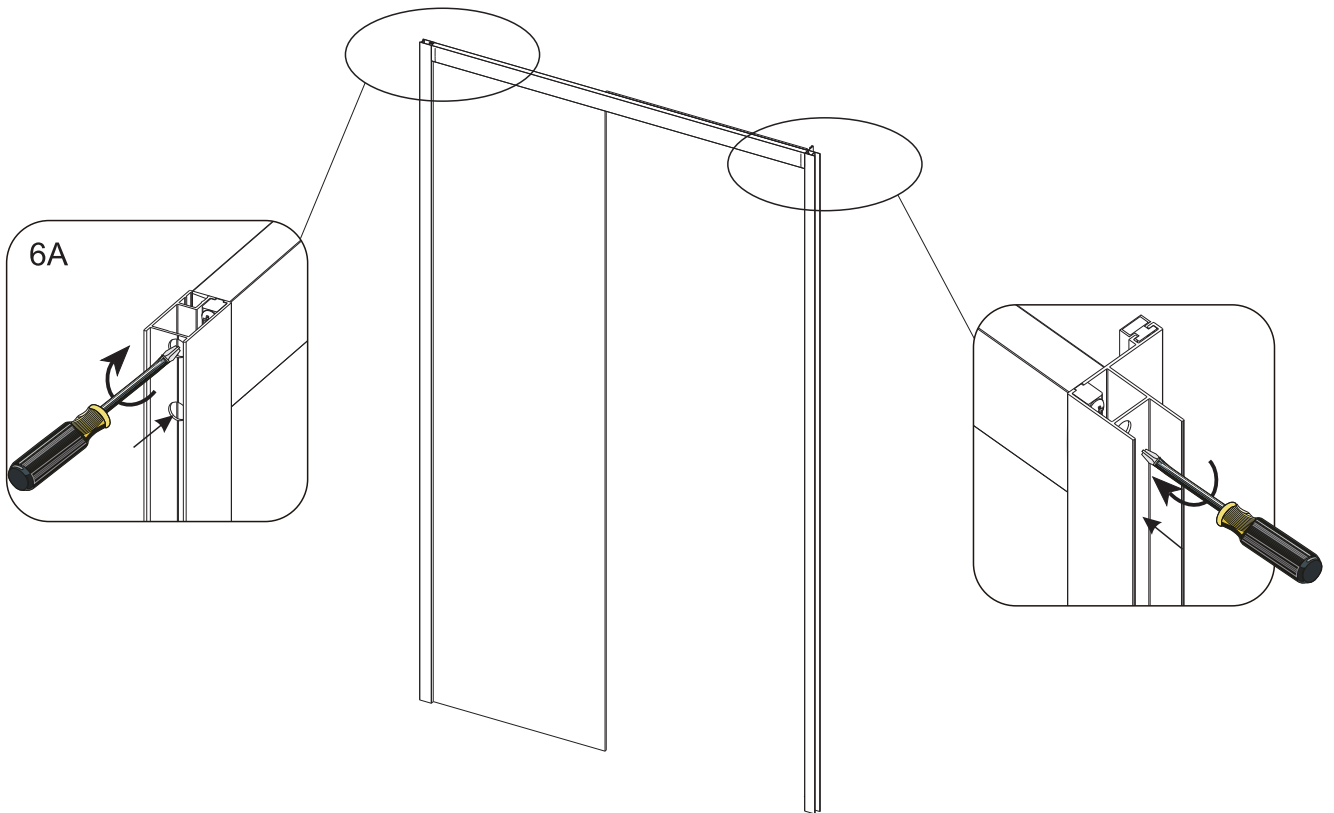


5

5A. Fit the top profile to the fixed panel. NOTE! Make sure the grey plastic part slots into the inside of the profile.



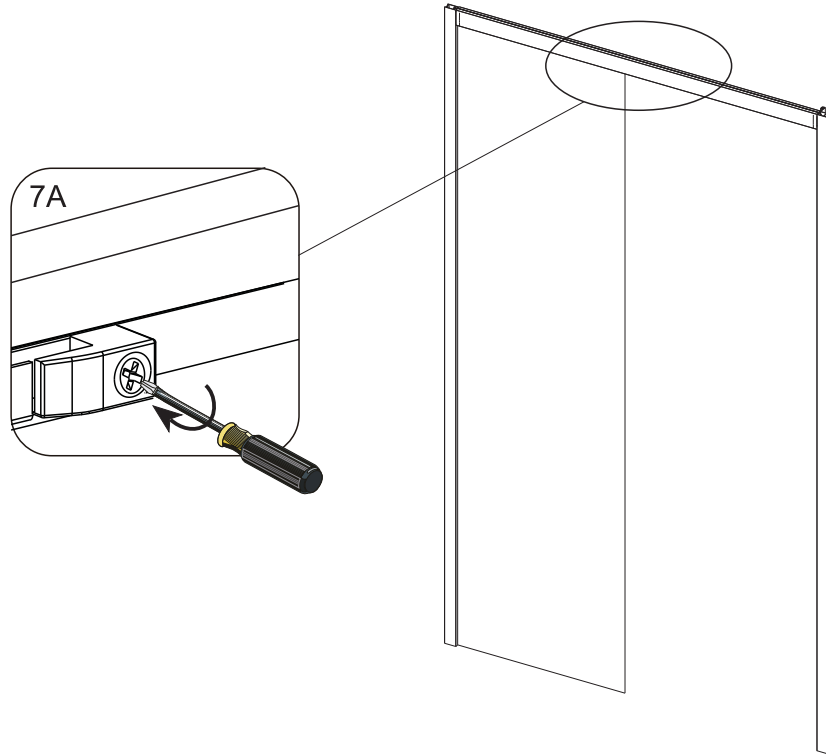
6



Note: Do not over tighten the screws

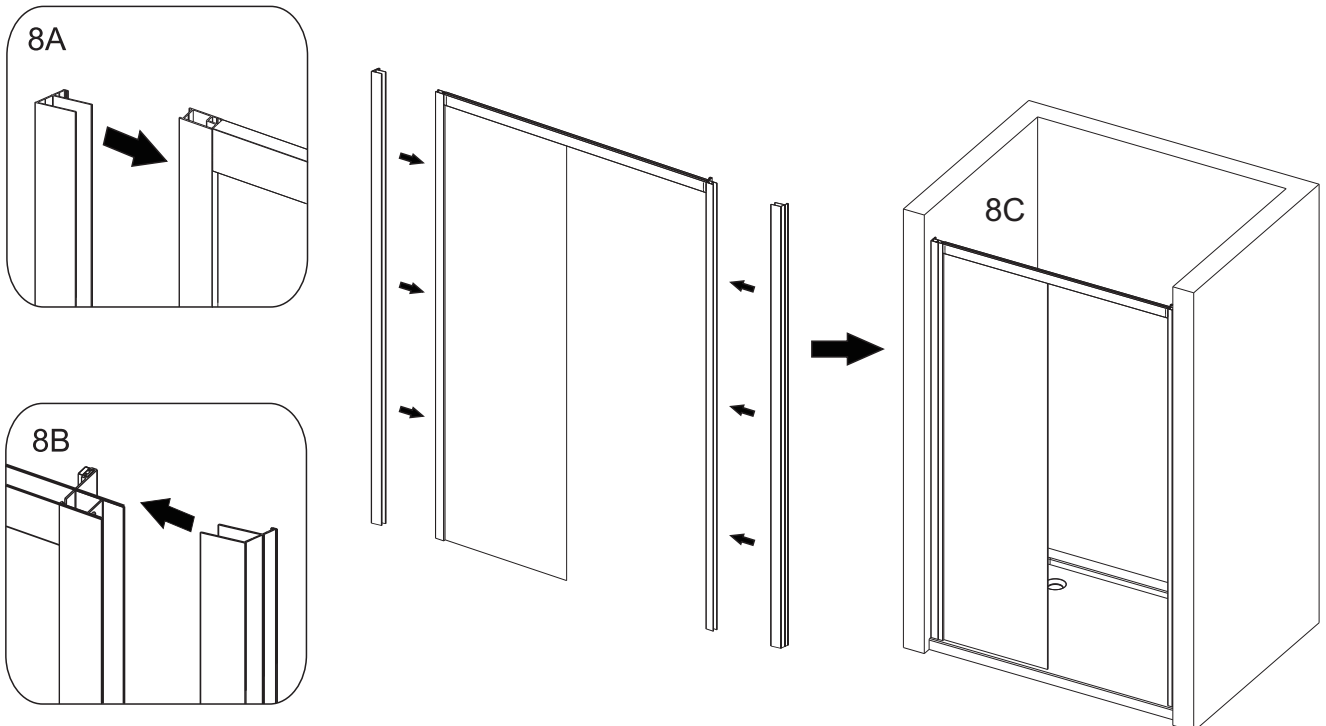
7

Tighten A12S0020 onto the fixed panel to secure the glass.

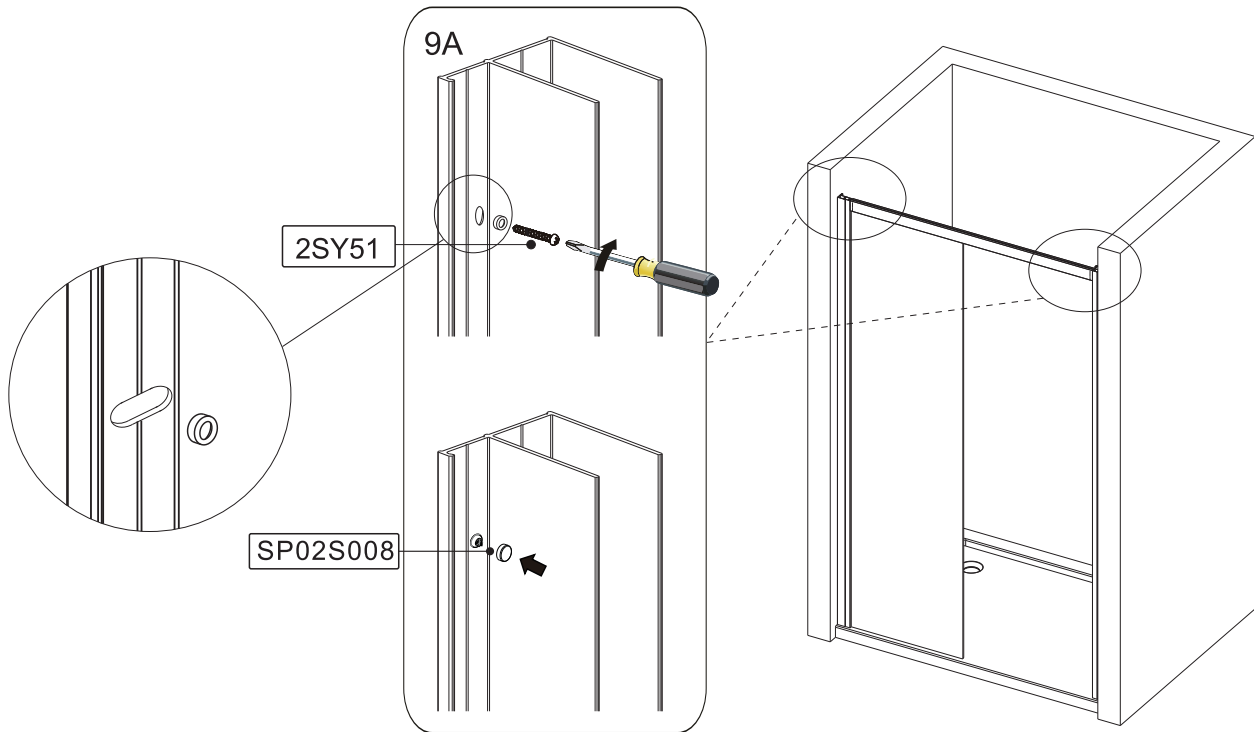


8

When fitting a fully framed product into a recess you must push the wall profiles onto the uprights. This is done as fixing the wall profiles first in a tight recess may lead to difficulty later when fitting your door.

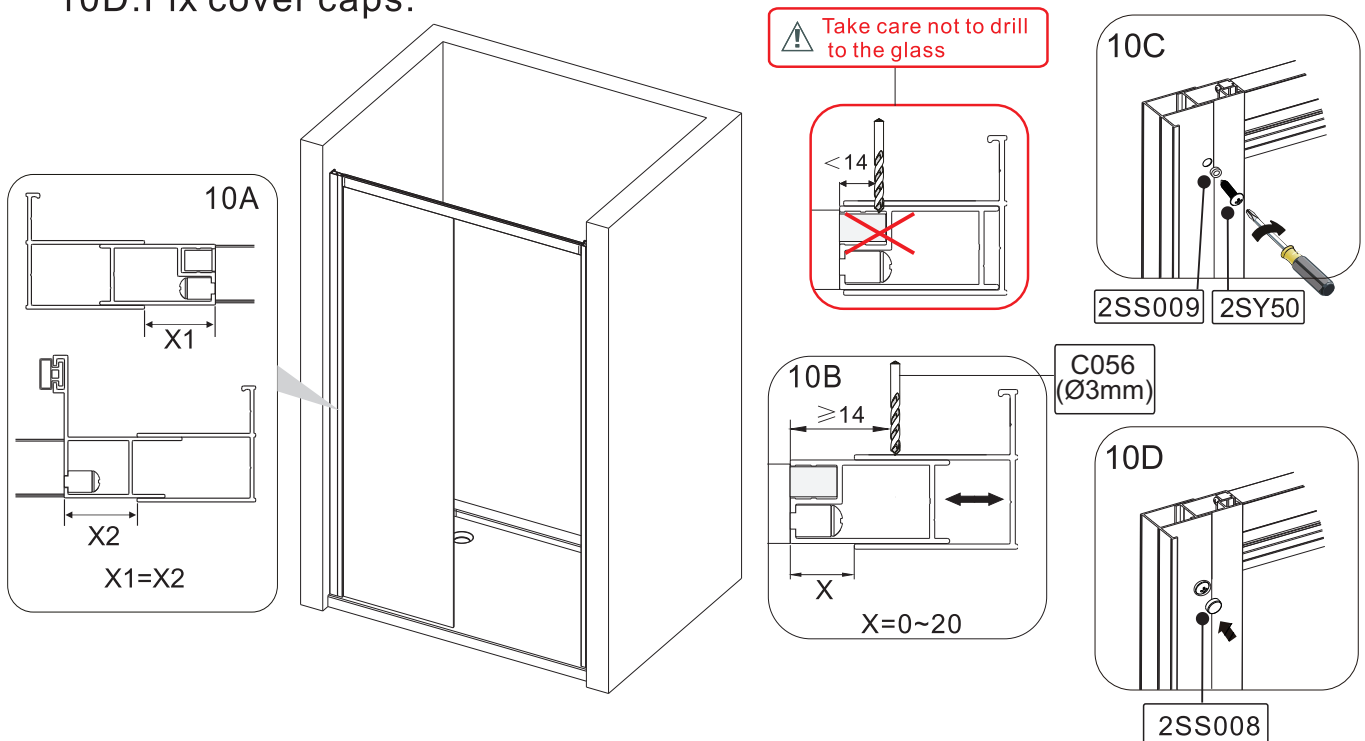


- 9 Lift the frame including wall profiles onto the tray and then fix your wall profiles to the walls using the fixing screws provided.

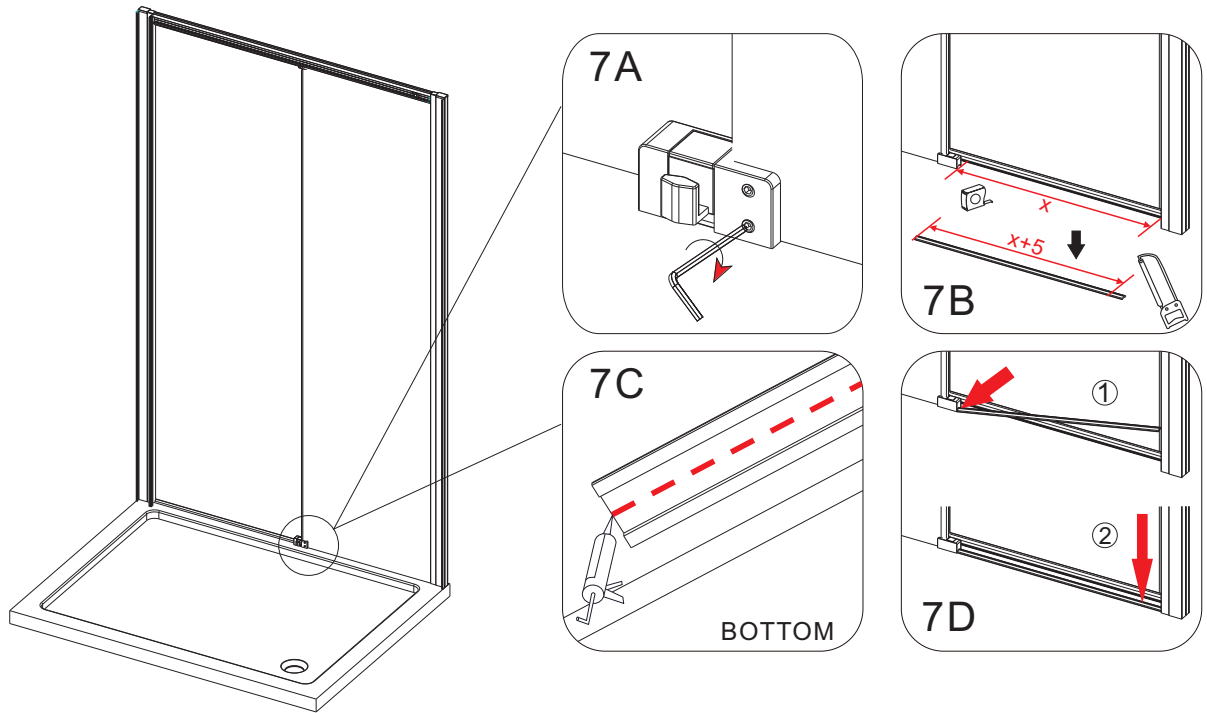


NOTE! Fix the screw through the center of the slot.
This is necessary to allow enough room either side for the screw cover caps

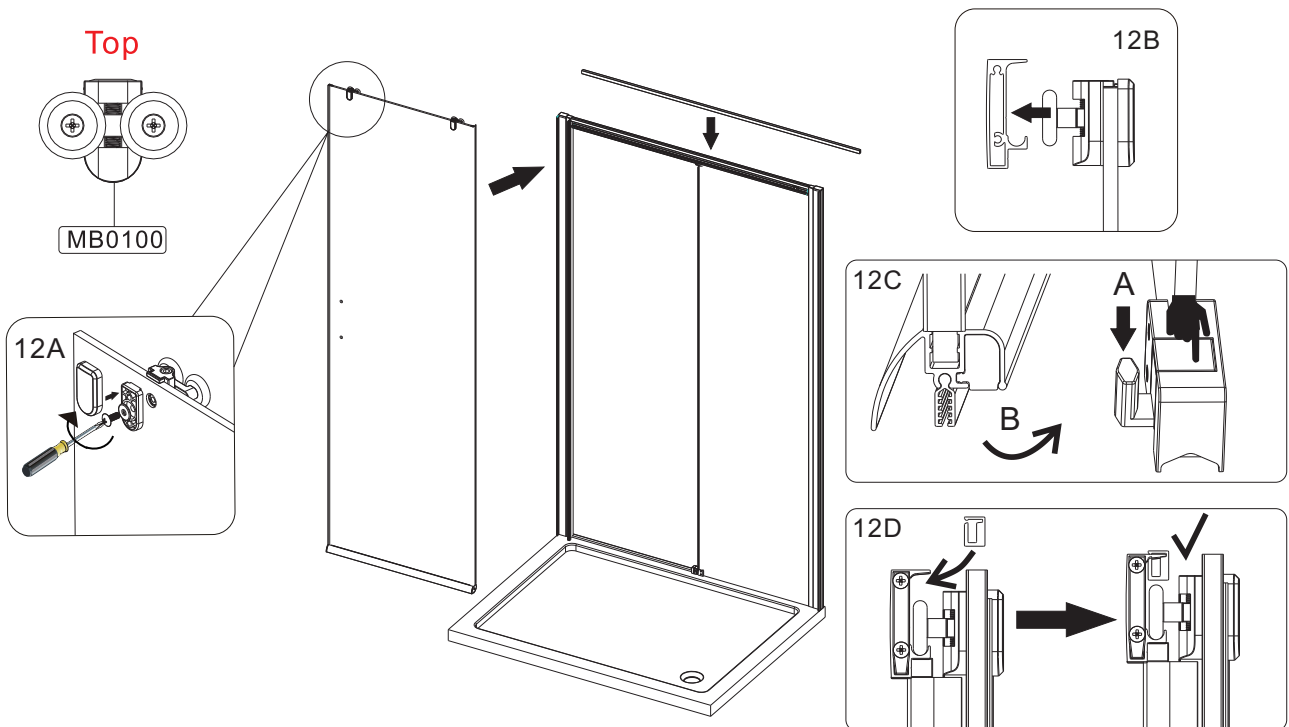
- 10 10A. Equalise the adjustment of the frame in the wall profile on both sides.
10B. From inside drill the frame top, middle and bottom making sure to step in a Min. 14mm from the edge of the frame.
10C. Fix the frame with screws and cover clips.
10D. Fix cover caps.



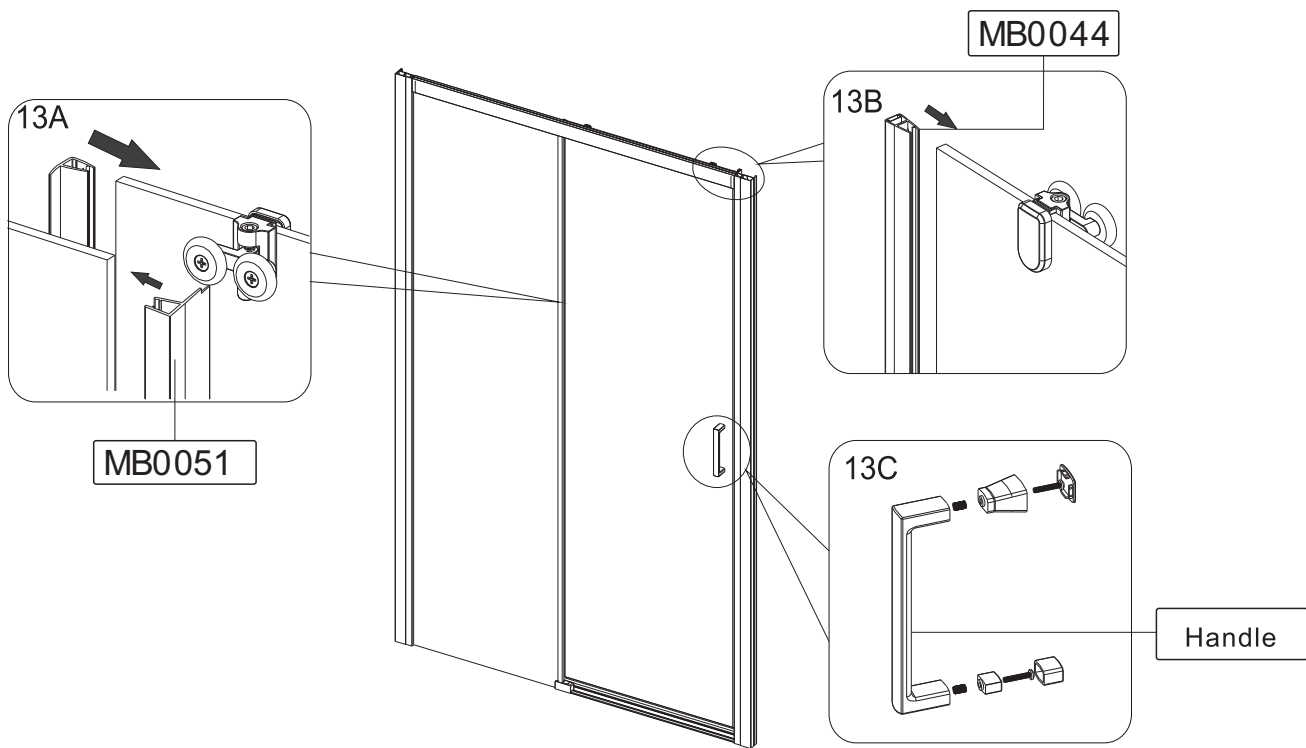
11 Fit the bottom sliding bracket and threshold strip.



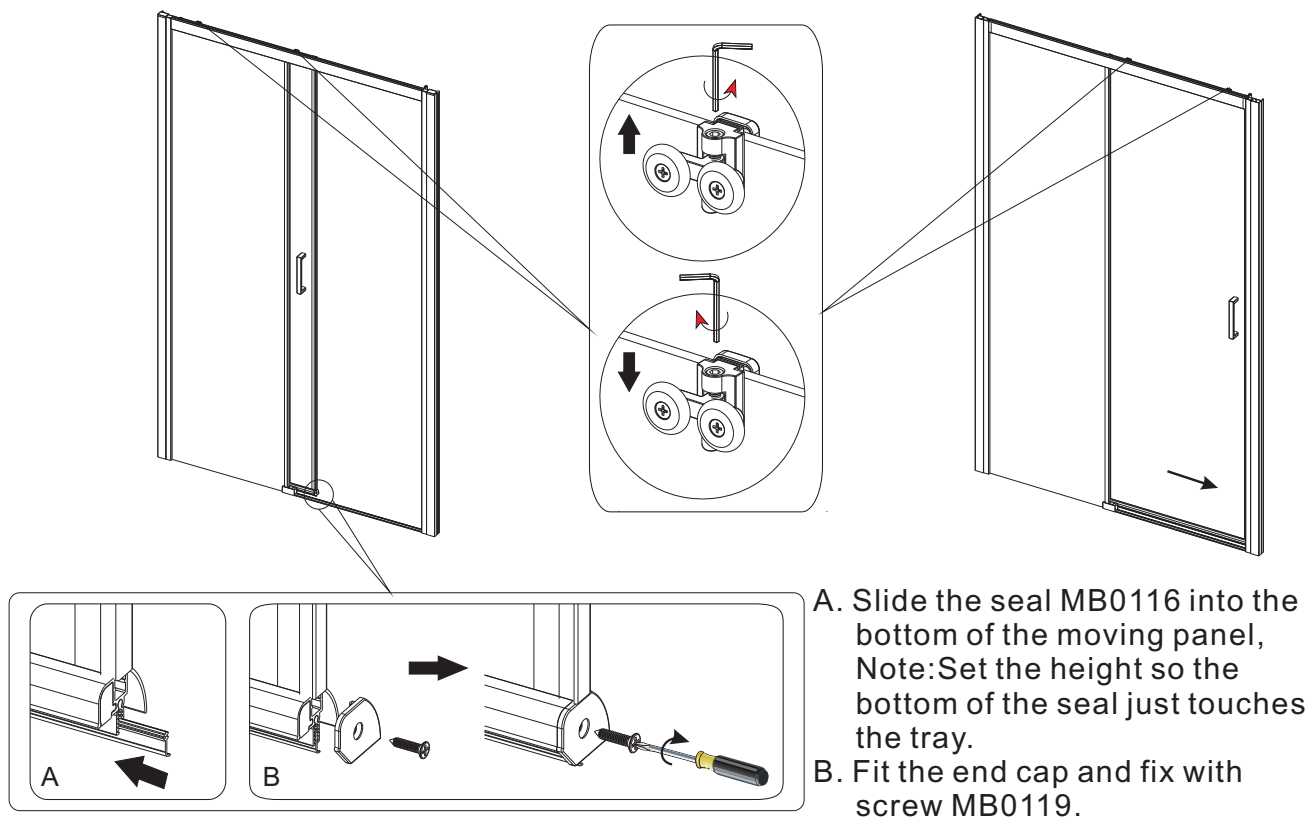
12 A. Fit the rollers to the top of the door.
 B. Hang the door onto the track.
 C. Press the button on the bottom guide and bring the moving panel over the guide and release the button.
 D. Push on the anti-jump strip over the top edge of the track, this will secure the door on the track.



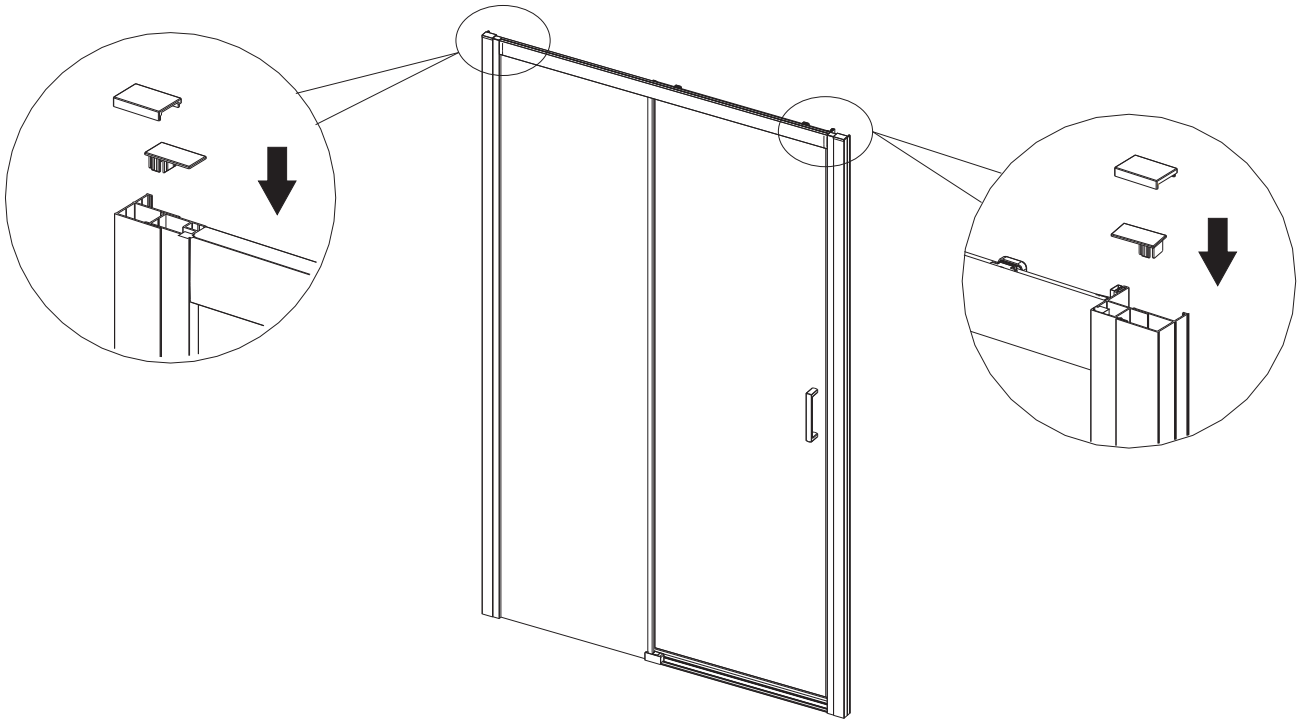
13



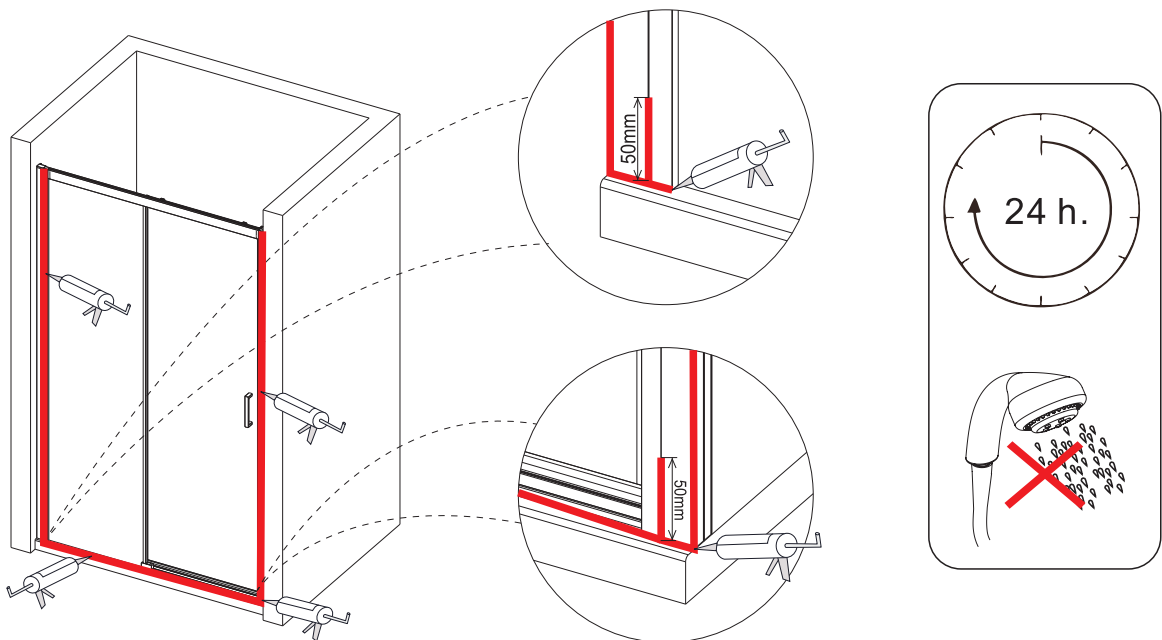
14 You can adjust the gap between the door panel and the closing post by turning the allen key in the top rollers.



15 Fit the cover caps.



16 Use a quality silicone to seal the finished door.
Seal on the outside along the wall profile and the wall.
Seal on the outside along the bottom between the tray and the fixed glass panel, guide block and the threshold strip.
Seal 50mm vertically between the frame and the wall profile.
DO NOT SILICONE THE ENCLOSURE FOR 24 HOURS AFTER SEALING.



	
Merlyn Industries LTD (MER09)	
DOP:CEMBLLA1.1	
19	
EN 14428	
Shower enclosures with aluminium profiles and safety glass	
Cleanability	:Pass
Impact resistance/ shatter properties	:Pass
Durability	:Pass

To download the Declaration of Performance (DOP) for this product please use the link below.
<https://merlynshowering.com/aftersales-support/dop-certs/>