

HERITAGE[®]

BATHROOMS

Dawlish Tap Range Installation Instructions and User Guide

Models covered:

Basin Mixer

TDCC04 / TDCG04 / TDCN04

Bidet Mixer

TDCC05 / TDCG05

3 Hole Basin Mixer

TDCC06 / TDCG06/TDCN06

Please keep this booklet for future reference.

Installer: when you have read these instructions, please ensure you leave them with the user.

Contents

When you buy a Heritage product, you can be confident that it not only features a beautiful, distinctive, classic design, but that it has also been made to the very highest quality standards. To ensure that it works to its full potential, it needs to be fitted correctly.

These fitting instructions have been created to give you all of the information you need and, if you need any further help, please do not hesitate to give us a call on **0330 026 8503**.

•	Safety Notice	02
•	General Specification	02
•	Dimensions	03
•	Installation Requirements	04
•	Installation	
•	Basin / Bidet Mixer	05 & 06
•	Installation	
•	3 Hole Basin Mixer	07 & 08
•	Maintenance	09
•	Troubleshooting	10
•	Guarantee	11





Safety Note

- Please read these instructions & retain for future use. All products manufactured & supplied by Heritage are safe, provided they are installed correctly, used correctly, and receive regular maintenance in accordance with these instructions.
- **If you are in any doubt about your ability to install this product safely you must employ the services of an experienced, qualified plumber.**



Before starting any installation project please consider the following:

- Prior to drilling into walls, check there are no hidden electrical wires or cables or water supply pipes with the aid of an electrical detector.
- If you use power tools do not forget:
 - Wear eye protection.
 - Unplug equipment after use.
- This product must not be modified in any way as this will invalidate the guarantee.
- These fittings need to be installed in accordance with and meet the requirements of the Water Supply (Water Fittings) Regulations 1999 and Scottish Byelaws 2004.

General Specifications

Operating pressure range (bar)	Min	Max
Bidet Mixer		0.1 5.0
Basin Mixer		0.1 5.0
3 Hole Basin Mixer		0.2 5.0

Maximum Static Pressure – 10.0 bar

NOTE:- Nominally equal (balanced) inlet supply pressures are recommended for optimum Performance of mixer taps.

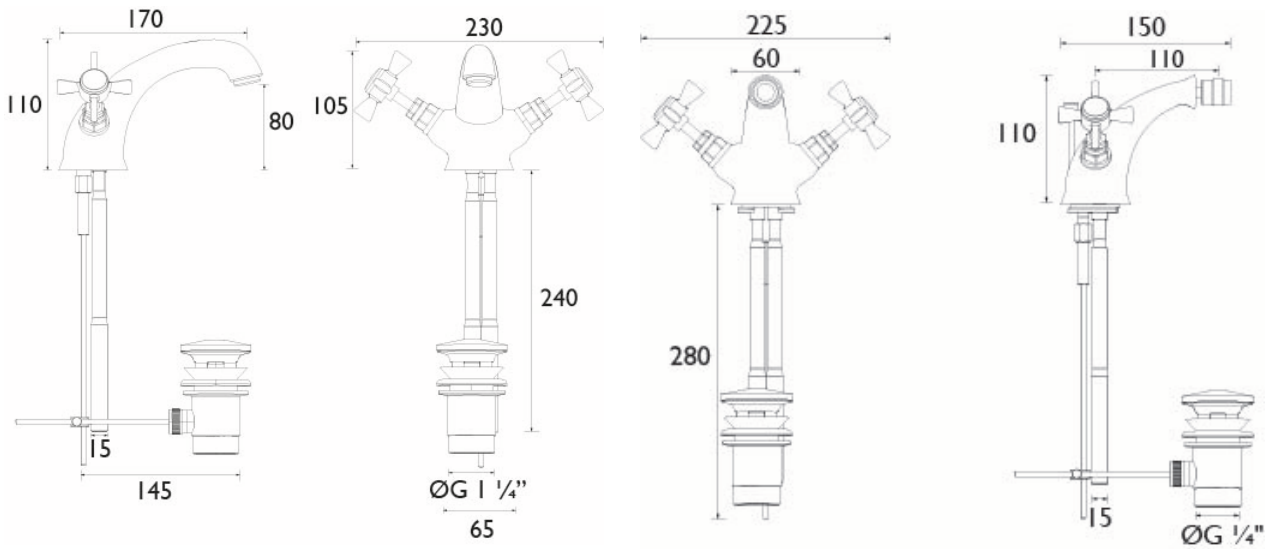
All products manufactured and supplied by Heritage Bathrooms are safe to use provided that they are installed, operated and receive regular maintenance in accordance with these instructions. This product needs to be installed in accordance with, and meet the requirements of the Water Supply (Water Fittings) Regulations 1999 and current by-laws. For full Installation Requirements & Notes (IRN) please visit wras.co.uk/directory.

Isolation valves must be fitted to the inlet water supplies to ensure ease of future maintenance. Before installing this product the water supply must be thoroughly flushed in order to remove any swarf, solder etc. This product must not be modified in any way as this will invalidate the guarantee. Full access must be made available for future maintenance/servicing purposes. If in doubt, contact a registered plumber or your Local Water Authority or the Secretary of the Institute of Plumbing, address as follows:-

The Institute of Plumbing,
64 Station Lane,
Hornchurch,
Essex,
RM12 6NB,
Tel: 01708 472791

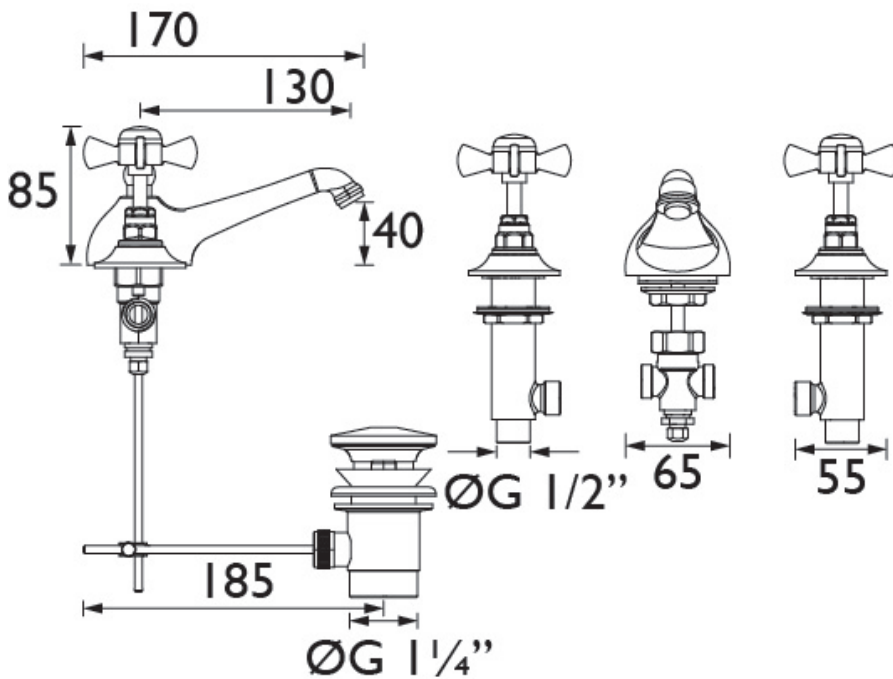


Dimensions



Basin Mixer (TDCC04 / TDCG04/TDCN04)

Bidet Mixer (TDCC05 / TDCG05)



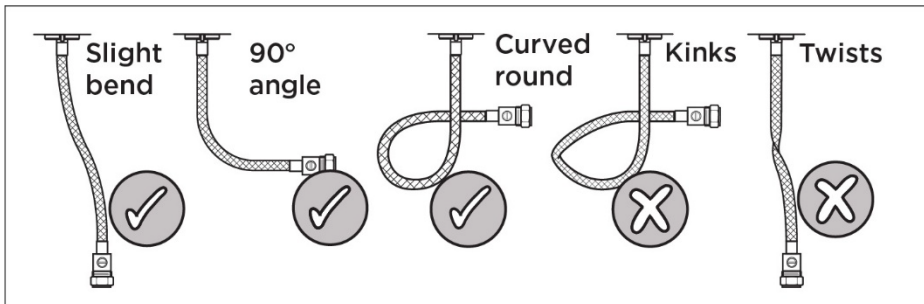
3 Hole Basin Mixer (TDCC06 / TDCG06/TDCN06)



Installation Requirements

Care must be taken when connecting the flexible tails to the household pipework to ensure they do not bend sharply, kink or twist.

See below for recommended ways to fit the flexible tails.



⚠ Important: Failure to follow these guidelines may result in poor performance and damage to the flexible tails.

⚠ Important: Full access must be made available on installation for future maintenance/servicing purposes.





Installation

Basin and Bidet Mixer

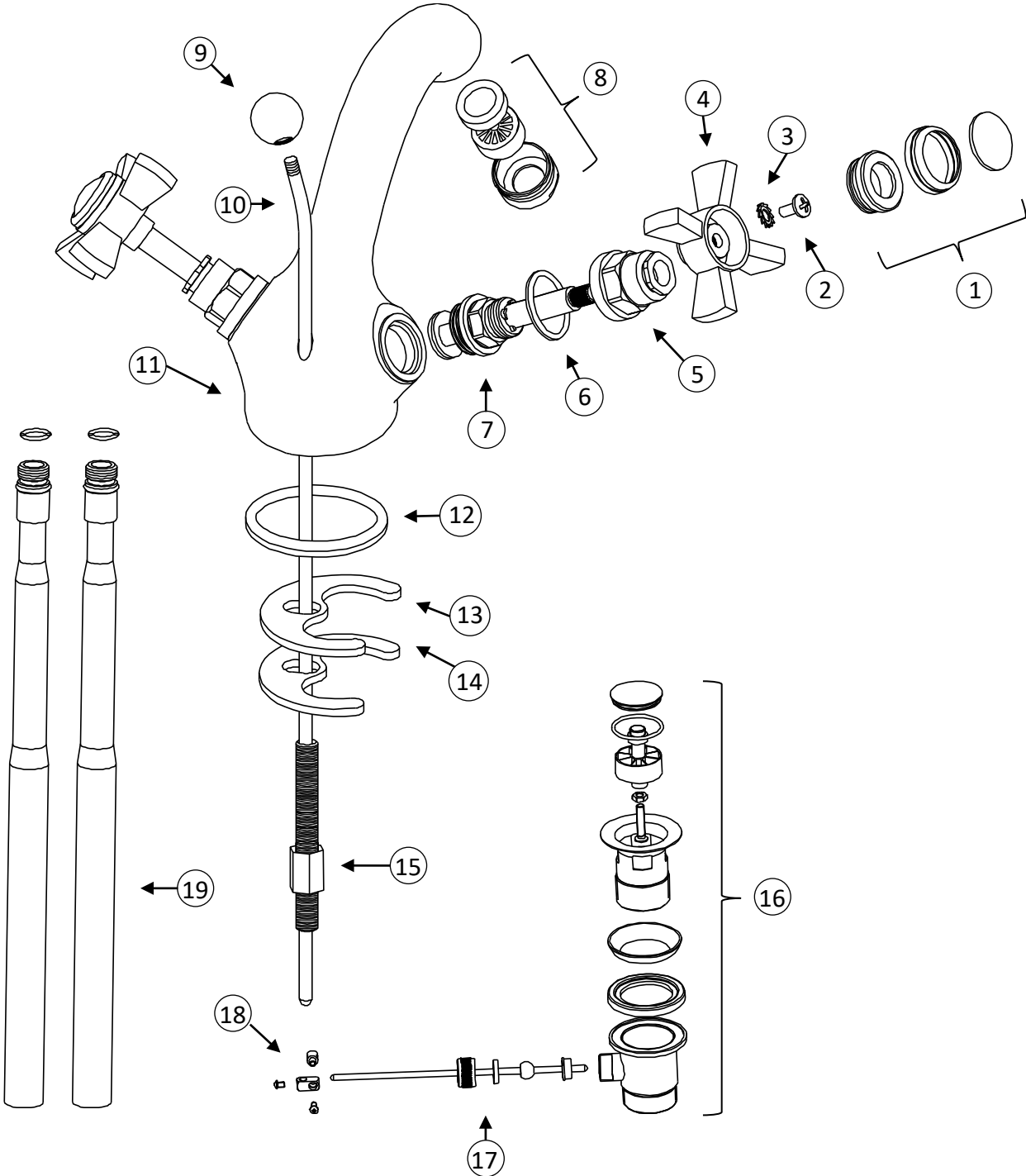
1. Identify all components are present prior to starting installation.
2. Screw in copper pipes (19) and fixing kit rod (15) to tap. Fit the mixer body to the basin/bidet using the 'C' plate fixing kit. The full rubber washer (12) goes between the fitting and the basin/bidet, and the 'C' shaped rubber (13) and metal washer (14) on the underside of the basin/bidet, to be secured by the threaded tail and backnut (15).
3. Connect the hot and cold supplies. **DO NOT OVERTIGHTEN.** Soft copper tails can be carefully bent and cut to length to meet supply pipes.
4. Fit the pop-up waste, with the flat washer below and the shaped washer above the basin/bidet. It is recommended that a silicon sealant be applied to both sealing faces of washers. The plug height can be set by adjusting the waste rod (17) and operating rod (10) connecting bracket (18), and the screw in the base of the plug. If the plug will not stay closed, the friction of the pop up mechanism can be increased by tightening the nut.
5. Fully open both valves, letting them run for a few minutes to flush out the system and check all joints and connections for leaks.

1.	Indice	x2	11.	Mixer Body	x1
2.	Grub Screw	x2	12.	Washer	x1
3.	Metal Washer	x2	13.	C-Shaped Rubber Plate	x1
4.	Handle	x2	14.	C-Shaped Metal Plate	x1
5.	Shroud	x2	15.	Threaded Tail & Backnut	x1
6.	Washer	x2	16.	Waste Assembly	x1
7.	Valve	x2	17.	Horizontal Waste Rod	x1
8.	Anti-Splash Assembly	x1	18.	Pop Up Link	x1
9.	Pop Up Knob	x1	19.	Copper Pipes	x2
10.	Pop-Up Rod	x1			



Installation Cont.

Basin and Bidet Mixer



Installation



3 Hole Basin Mixer

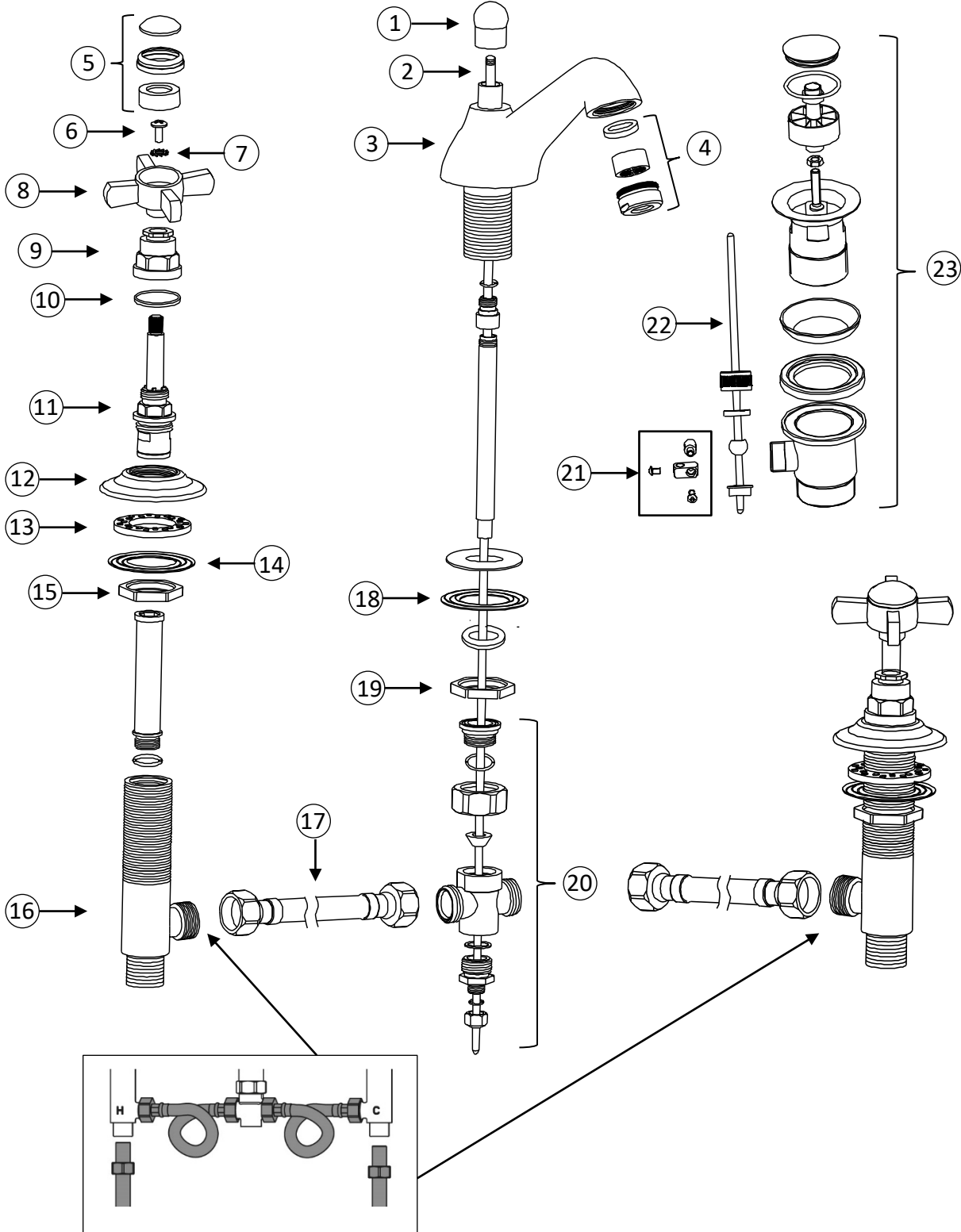
1. Identify all components and check for completeness particularly before arranging fitting.
2. Disassemble the two side bodies and remove the T joint assembly(20) from the mixer body (03) then feed the brass parts (labelled H & C) from the underside of the basin. Secure with shroud at the top (12) and backnut and washers at bottom (13, 14, 15).
3. Remove spout backnut (19) & washer (18) before fitting the spout to the basin. Re-apply backnut and washer to secure into place.
4. Re-connect the 'T' joint and fit the two flexi tails (17). Connect hot and cold-water supplies.
5. Refit the handles (5-11) back on to the side bodies.
6. Fit the upper part of the pop-up waste assembly (23) with washer above the basin. Fit the lower part of the waste assembly underneath the basin It is recommended that a silicon sealant be applied to both sealing faces of the two washers that sit against the basin. Ensure the threaded section on the body is facing the wall at the rear, in order to accommodate the waste rod (22).
7. Connect the waste arm (22) to the underside of the waste assembly and attach the pop-up link (21). Proceed to feed the operating knob (2) through the mixer body and 'T' joint and attach to the pop-up link (21).
8. The height of the plug can be adjusted by lengthening or shortening the screw on the under side of the plug & locked by the nut on the screw. If the plug will not stay closed the friction of the pop-up mechanism can be increased by tightening the nut.
9. Fully open both valves, letting them run for a few minutes to check all joints & connections for leaks.

1.	Pop-Up Knob	x1	13.	Shroud Seal	x3
2.	Pop-Up Operating Rod	x1	14.	Washer	x3
3.	Mixer Body	x1	15.	Backnut	x3
4.	Anti-Splash Assembly	x1	16.	Side Body	x2
5.	Indice	x2	17.	Flexi Tails	x2
6.	Screw	x2	18.	Spout Washer	x1
7.	Metal Washer	x2	19.	Spout Backnut	x1
8.	Handle	x2	20.	'T' joint	x1
9.	Shroud	x2	21.	Pop-Up Link	x1
10.	Washer	x2	22.	Waste Rod	x1
11.	Valve	x2	23.	Waste Assembly	x1
12.	Base Shroud	x2			



Installation Cont.

3 Hole Basin Mixer





Maintenance

General Cleaning

Heritage products are made from premium materials, with hand polishing, PVD, EPD and electroplated finishes.

Your product should be regularly cleaned with warm water, a mild pH-neutral liquid soap, and polished with a soft cloth. Any residues from soap, toiletries etc. should be rinsed off straight after use.

Household bleaches and cleaners contain harsh chemicals and may damage the surface finish. Avoid using abrasive cloths, scouring pads, scrub sponges, steel wool or anything similar.

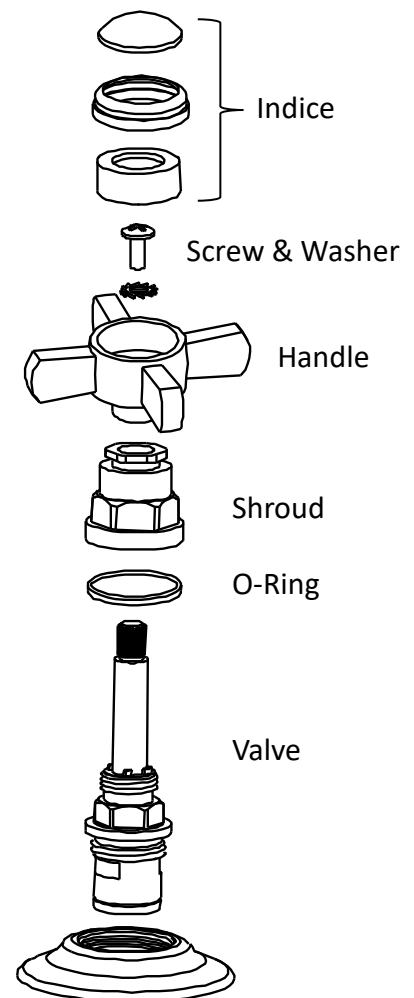
Some surfaces such as nickel and pewter may be affected by the dye found in some cloths, so it is also important to avoid leaving cloths on surfaces.

Replacing the Valves

If your fitting begins to leak the following should be carried out;

Isolate both hot and cold water supplies to the tap by either:

- Turning the water supply off at the mains stopcock or
 - Turning off the isolation valves to the tap.
1. Unscrew the indices, to reveal the screw and washer and proceed to remove these with a suitable screwdriver.
 2. Remove the handle and unscrew the shroud.
 3. Using a suitable spanner remove the valve. Take care to not damage the plated finish on the valve stems.
 4. Replace the valves. Please visit www.heritagebathrooms.com in order to find spare parts for this product.
 5. Place the valve into the tap body, ensuring the O-Ring is in the required position, and tighten the valve fully using a suitable spanner.
 6. Re-connect the shroud, handle and all other components.
 7. Turn on water supply and check for leaks.
 8. Contact our helpline should the problem persist.



Troubleshooting

Symptom	Cause	Remedy
No flow or poor flow rate.	Partially closed isolation valve.	Open isolation valve.
	Instantaneous water heater cycles on and off as flow rate or pressure is too low.	Increase water flow rate or pressure through system.
	Head of water is below the minimum distance required.	Refer to specification for minimum distance required.
	Hot or cold water being drawn off elsewhere causing pressure changes or instantaneous boiler temperature changes.	Do not use other water outlets when using the taps.
	Airlock or partial blockage in the supply pipework.	Flush through pipework to ensure removal of debris and any airlocks. Airlock or partial blockage in the supply pipework.
Water dripping for a few seconds after the tap has been turned off.	This is normal for a short time after using the taps.	This is caused by residual water tension, the build up of water in the tap body
	If water continues to drip, possibly due to the ceramic disc valves.	Remove valves and clean, refer to 'Maintenance' section before starting any maintenance.
Constant dripping / leaking when the tap is not in use.	Cartridge / Valve not fully shutting off.	Service fitting and replace cartridge / valve. Refer to maintenance section on page 06.
Fitting does not turn on.	Closed isolation valve.	Open isolation valve.
	Closed stop or service valve.	Open stop or service valve.





Heritage Bathrooms Guarantee

GUARANTEE

The confidence we have in the quality of our products and services enables us to offer a free peace-of-mind product guarantee from 2 years up to a lifetime guarantee against any manufacturing faults, with proof of purchase. In addition, our attentive customer service team are available to help solve any problems which may arise quickly and effectively so you can enjoy your bathroom.

To see the specific guarantee for this product, scan the QR Code or visit the following URL:

<https://www.heritagebathrooms.com/service-centre/guarantee>



HERITAGE[®]

BATHROOMS

We love to see how Heritage products are used so please keep in touch and share pictures of your new bathroom with us.



@heritagebathrooms

If you have any queries, our dedicated customer service teams and products experts are available to help.

Email us enquire@heritagebathrooms.com

Call us 0330 026 8503

Website www.heritagebathrooms.com

UK: Heritage Bathrooms, Pooley Hall Drive, Birch Coppice Business Park, Dordon,

Tamworth B78 ISG

EU: Masco Europe S.à.r.l., 14 Rue Strachen, 6933 Mensdorf, Luxembourg.