

PRODUCT DATA SHEET

BRITTON[®]



PRODUCT CODE

HOX013M

RANGE

Hoxton 2.0

DESCRIPTION

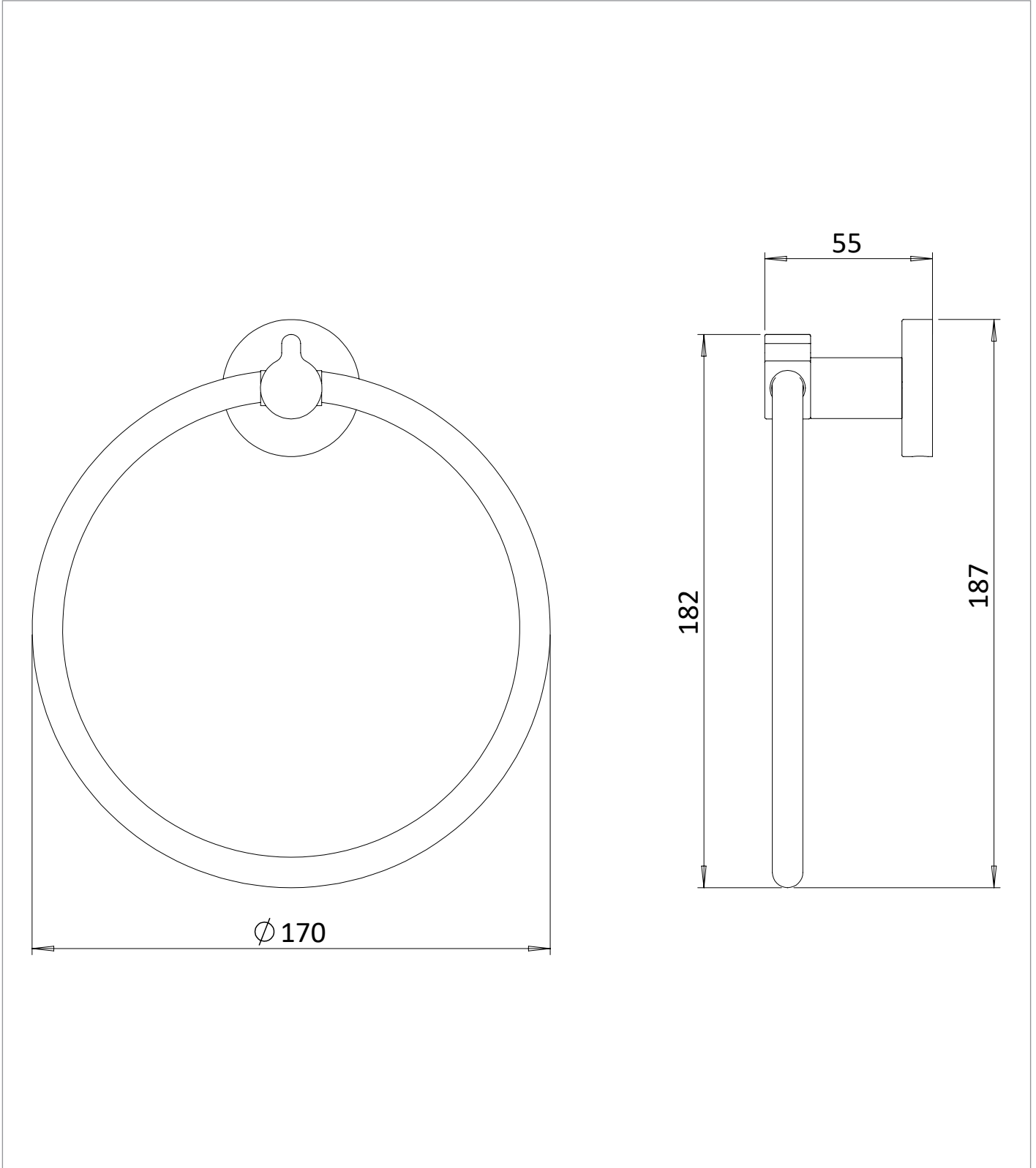
Hoxton 2.0 Towel Ring Matt Black

CATEGORY	Brassware
WARRANTY DETAILS	15 Years
COLOUR	Matt Black
FINISH APPLICATION	Immersion Plating
PRIMARY MATERIAL	Brass
INSTALL TYPE	Wall Mounted
PRODUCT WIDTH MM	170
PRODUCT HEIGHT MM	187
PRODUCT DEPTH MM	55

TECHNICAL DIMENSIONS

Dimensions in mm unless otherwise specified.

Tolerances (per material type) apply.



SPARES LIST

Only the parts labelled are available as spares.

SPARES AVAILABLE UPON REQUEST