

PRODUCT DATA SHEET

Burlington[®]



PRODUCT CODE

A4 BNKL

RANGE


Victorian

DESCRIPTION

Double Robe Hook Brushed Nickel

CATEGORY	Accessories
WARRANTY DETAILS	15 Years
COLOUR	Brushed Nickel
FINISH APPLICATION	PVD
PRIMARY MATERIAL	Brass
INSTALL TYPE	Wall Mounted
PRODUCT WIDTH MM	60
PRODUCT HEIGHT MM	116
PRODUCT DEPTH MM	105
PRODUCT NET WEIGHT KG	0.25

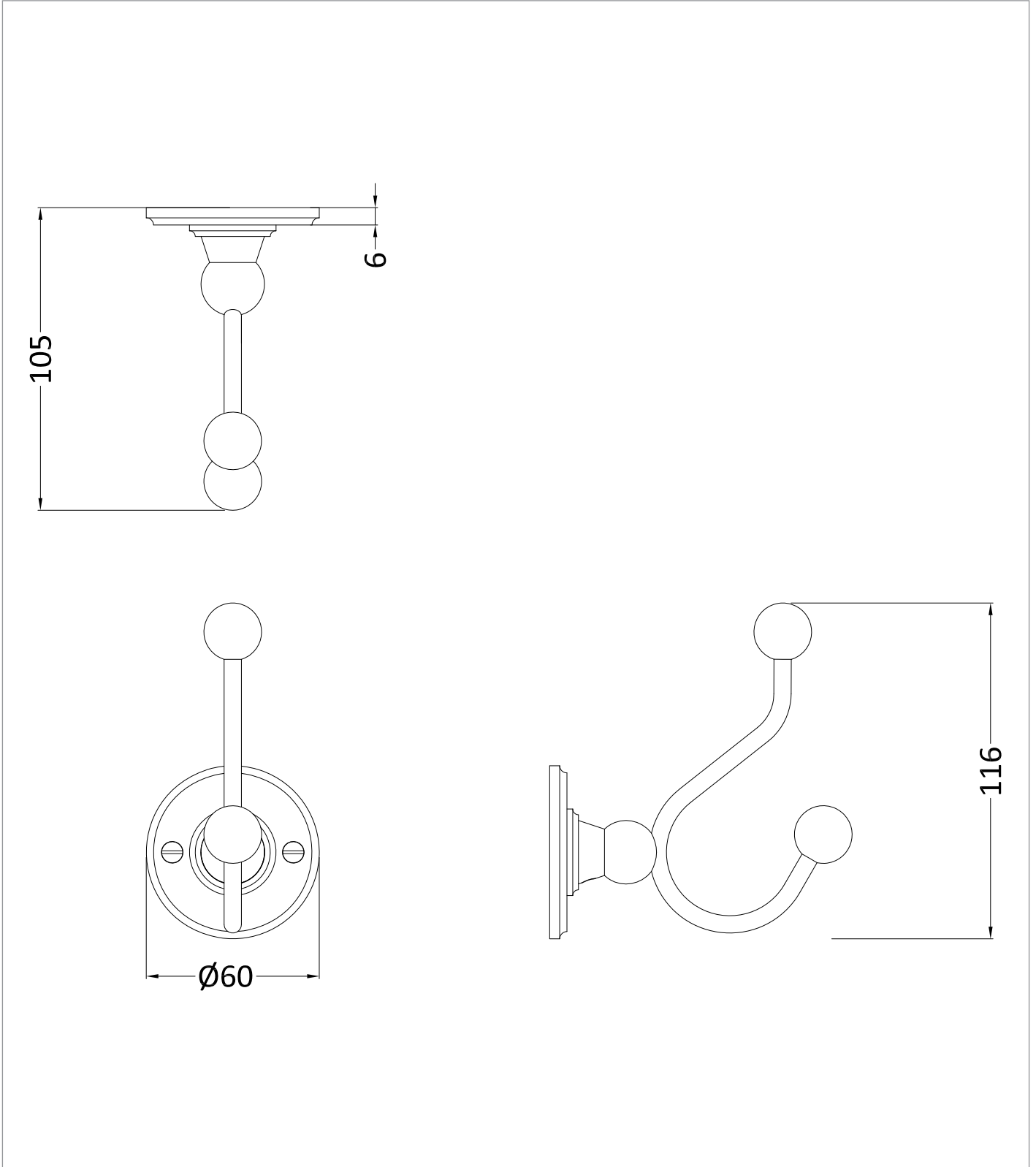
PRESSURE (BAR)	0.2	0.5	1	2	3	4	5
PRIMARY FLOWRATE							
HANDSET FLOWRATE							
MASSAGE FLOW RATE							
AIR FLOW RATE							
WIRE FLOW RATE							
WATERFALL FLOW RATE							
MIST FLOW RATE							
HANDSPRAY FLOW RATE							

 Part of the Bathroom Brands Group

TECHNICAL DIMENSIONS

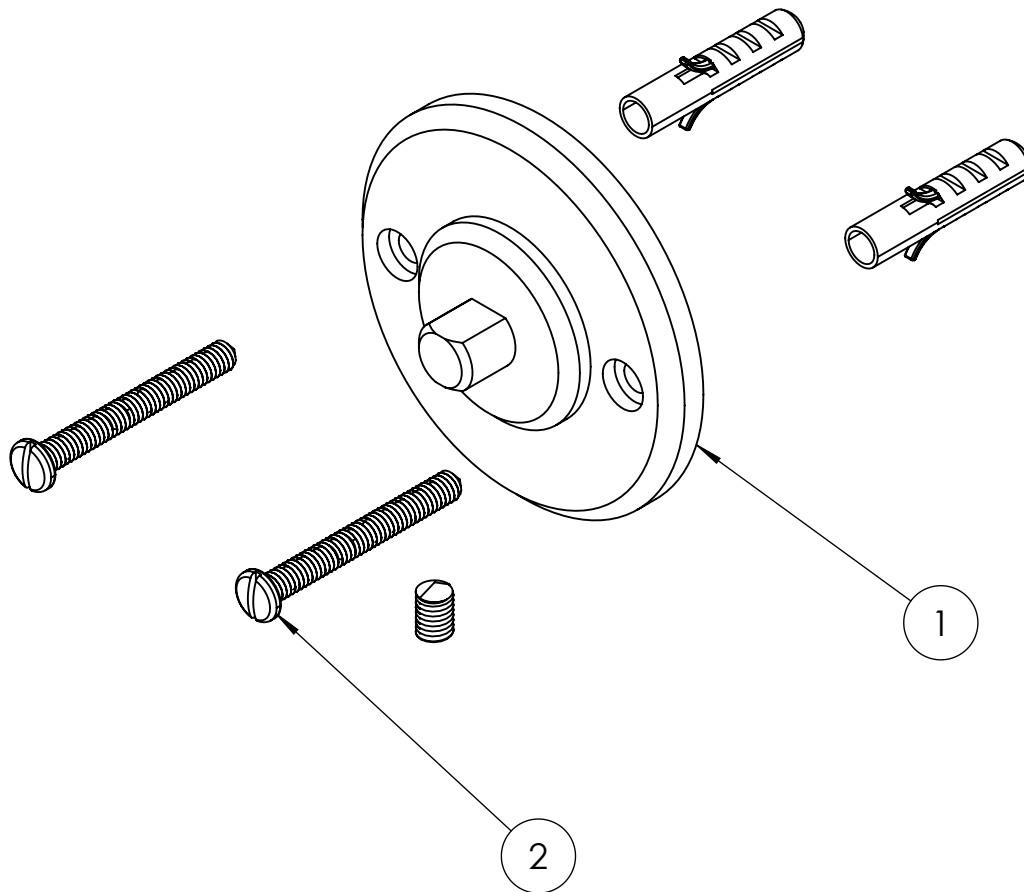
Dimensions in mm unless otherwise specified.

Tolerances (per material type) apply.



SPARES LIST

Only the parts labelled are available as spares.



NUMBER	PART CODE	DESCRIPTION
1	G13BNKL	Back Plate for Burlington Accessories in Brushed Nickel (including screws and plugs)
2	SP321BNKL	Screw Bag for A1/A2/A3/A4/A8/A14 BNKL