

# PRODUCT DATA SHEET

*Burlington*<sup>®</sup>



## PRODUCT CODE

A8 BNKL

## RANGE


Victorian

## DESCRIPTION

WC Brush Holder Brushed Nickel

|                       |                |
|-----------------------|----------------|
| CATEGORY              | Accessories    |
| WARRANTY DETAILS      | 15 Years       |
| COLOUR                | Brushed Nickel |
| FINISH APPLICATION    | PVD            |
| PRIMARY MATERIAL      | Fine Fire Clay |
| INSTALL TYPE          | Wall Mounted   |
| PRODUCT WIDTH MM      | 103            |
| PRODUCT HEIGHT MM     | 406            |
| PRODUCT DEPTH MM      | 152            |
| PRODUCT NET WEIGHT KG | 0.96           |

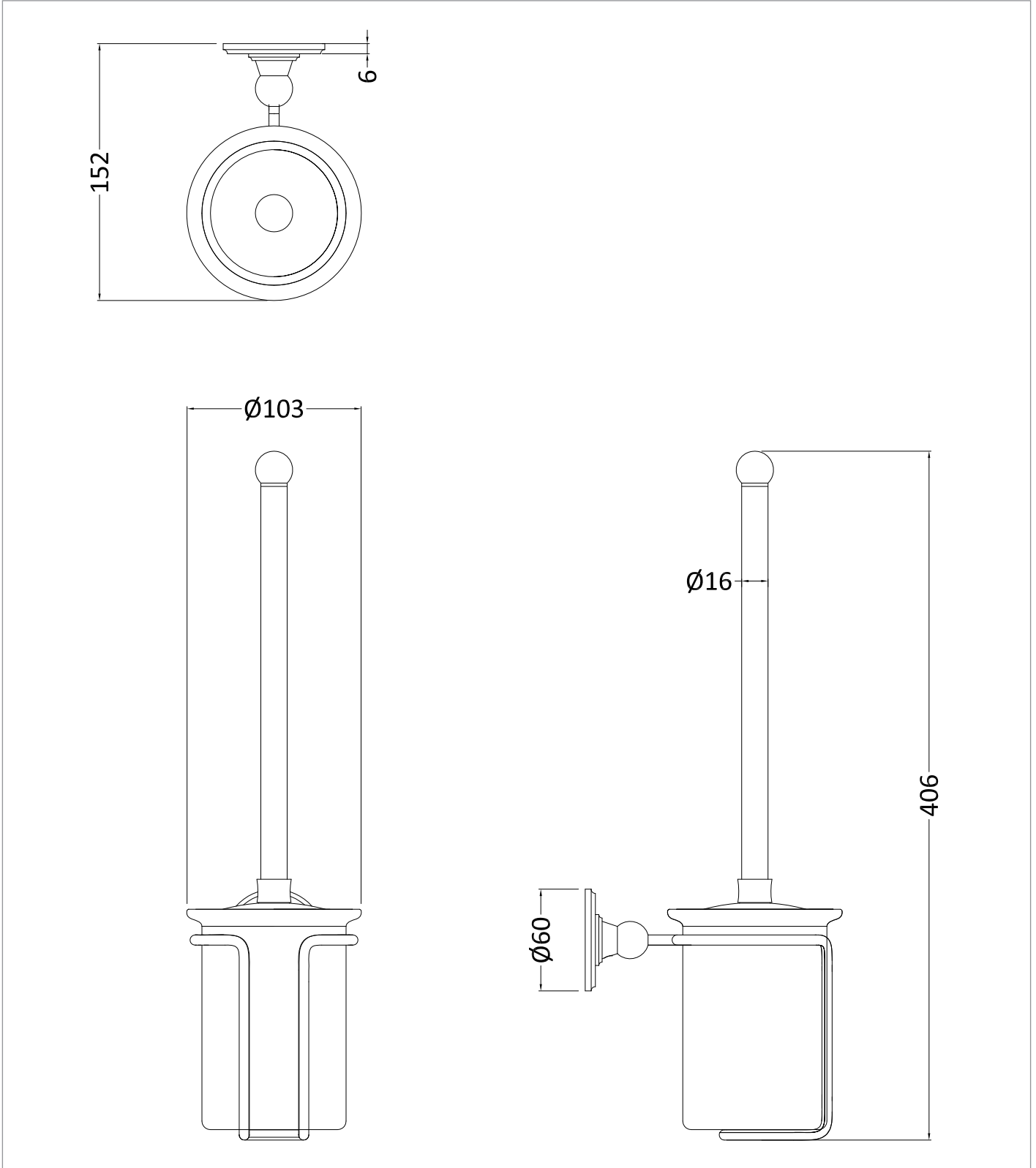
|                     |     |     |   |   |   |   |   |
|---------------------|-----|-----|---|---|---|---|---|
| PRESSURE (BAR)      | 0.2 | 0.5 | 1 | 2 | 3 | 4 | 5 |
| PRIMARY FLOWRATE    |     |     |   |   |   |   |   |
| HANDSET FLOWRATE    |     |     |   |   |   |   |   |
| MASSAGE FLOW RATE   |     |     |   |   |   |   |   |
| AIR FLOW RATE       |     |     |   |   |   |   |   |
| WIRE FLOW RATE      |     |     |   |   |   |   |   |
| WATERFALL FLOW RATE |     |     |   |   |   |   |   |
| MIST FLOW RATE      |     |     |   |   |   |   |   |
| HANDSPRAY FLOW RATE |     |     |   |   |   |   |   |

 Part of the Bathroom Brands Group

## TECHNICAL DIMENSIONS

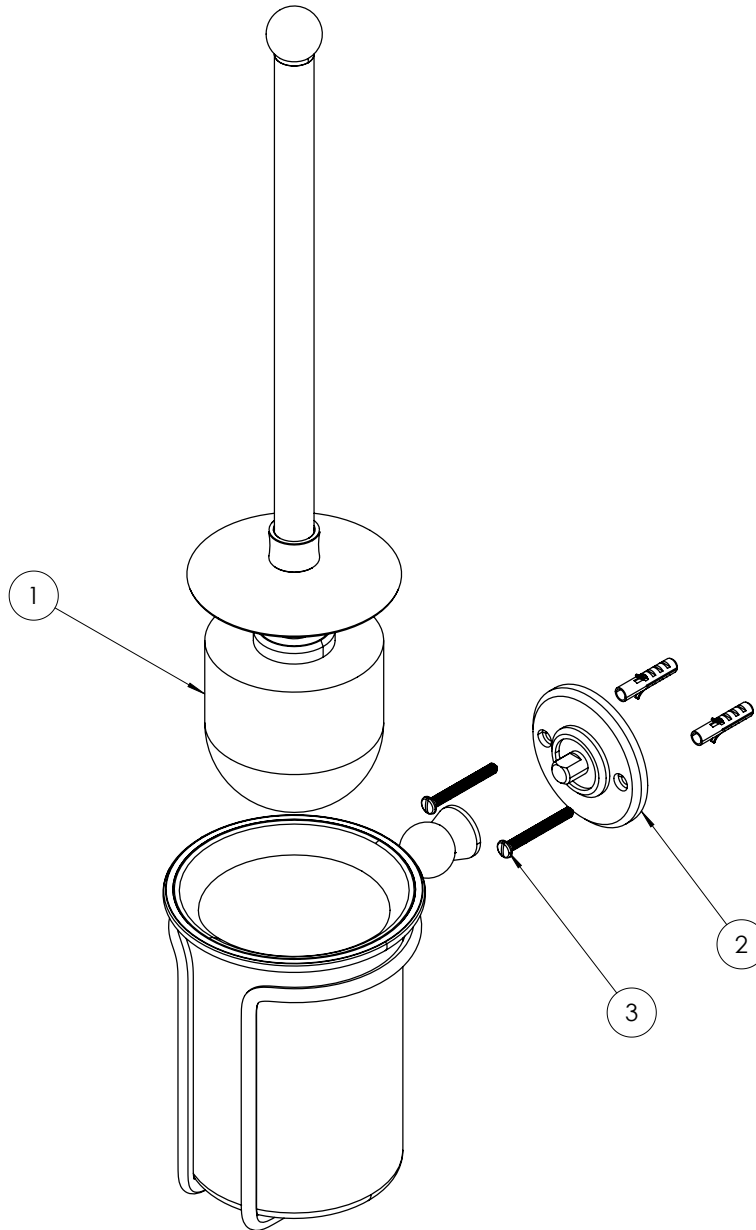
Dimensions in mm unless otherwise specified.

Tolerances (per material type) apply.



**SPARES LIST**

Only the parts labelled are available as spares.



| NUMBER | PART CODE  | DESCRIPTION   |
|--------|------------|---|
| 1      | SP542BNKL  | Brush Set for A8 BNKL with Silicone Brush Head                  |
| 2      | SP1169BNKL | Full Set Wall Holder for A8 BNKL                                |
| 3      | SP321BNKL  | Screw Bag for A1 BNKL/A2 BNKL/A3 BNKL,/A4 BNKL/A8 BNKL/A14 BNKL |