

PRODUCT DATA SHEET

BRITTON[®]



PRODUCT CODE

HOX029M

RANGE

Hoxton 2.0

DESCRIPTION

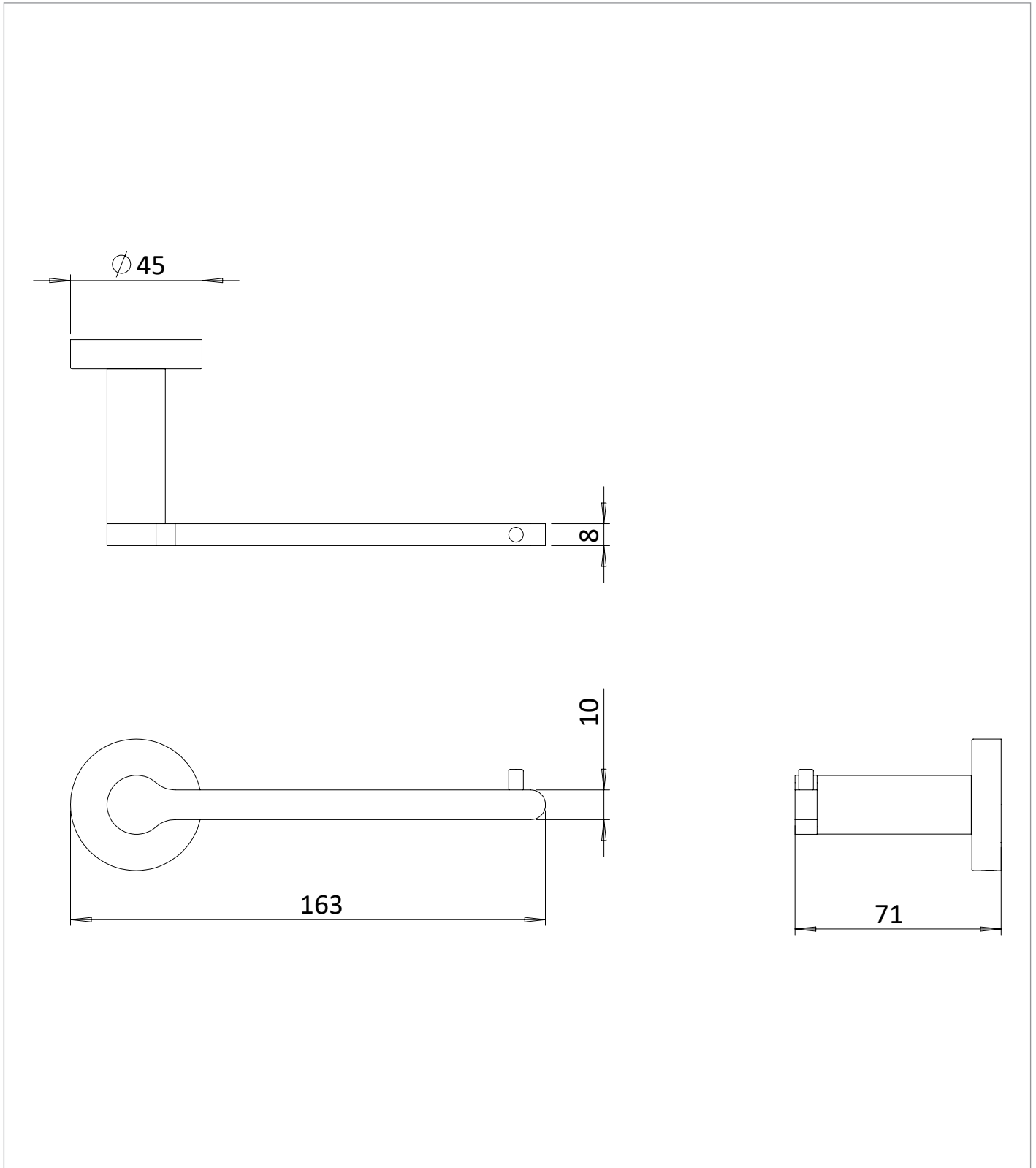
Hoxton 2.0 Single Toilet Roll Holder
Matt Black

| | |
|--------------------|-------------------|
| CATEGORY | Brassware |
| WARRANTY DETAILS | 15 Years |
| COLOUR | Matt Black |
| FINISH APPLICATION | Immersion Plating |
| PRIMARY MATERIAL | Brass |
| INSTALL TYPE | Wall Mounted |
| PRODUCT WIDTH MM | 163 |
| PRODUCT HEIGHT MM | 45 |
| PRODUCT DEPTH MM | 71 |

TECHNICAL DIMENSIONS

Dimensions in mm unless otherwise specified.

Tolerances (per material type) apply.



SPARES LIST

Only the parts labelled are available as spares.

SPARES AVAILABLE UPON REQUEST