

Sliding Door



IMPORTANT

Thank you for choosing Merlyn. Please familiarise yourself with the fitting instructions before commencing fitting.

1. Check that you have the tools required.
2. Check that the installation site is compatible with size of door supplied
3. Check all the enclosure components.
4. Check that the installation kit is complete

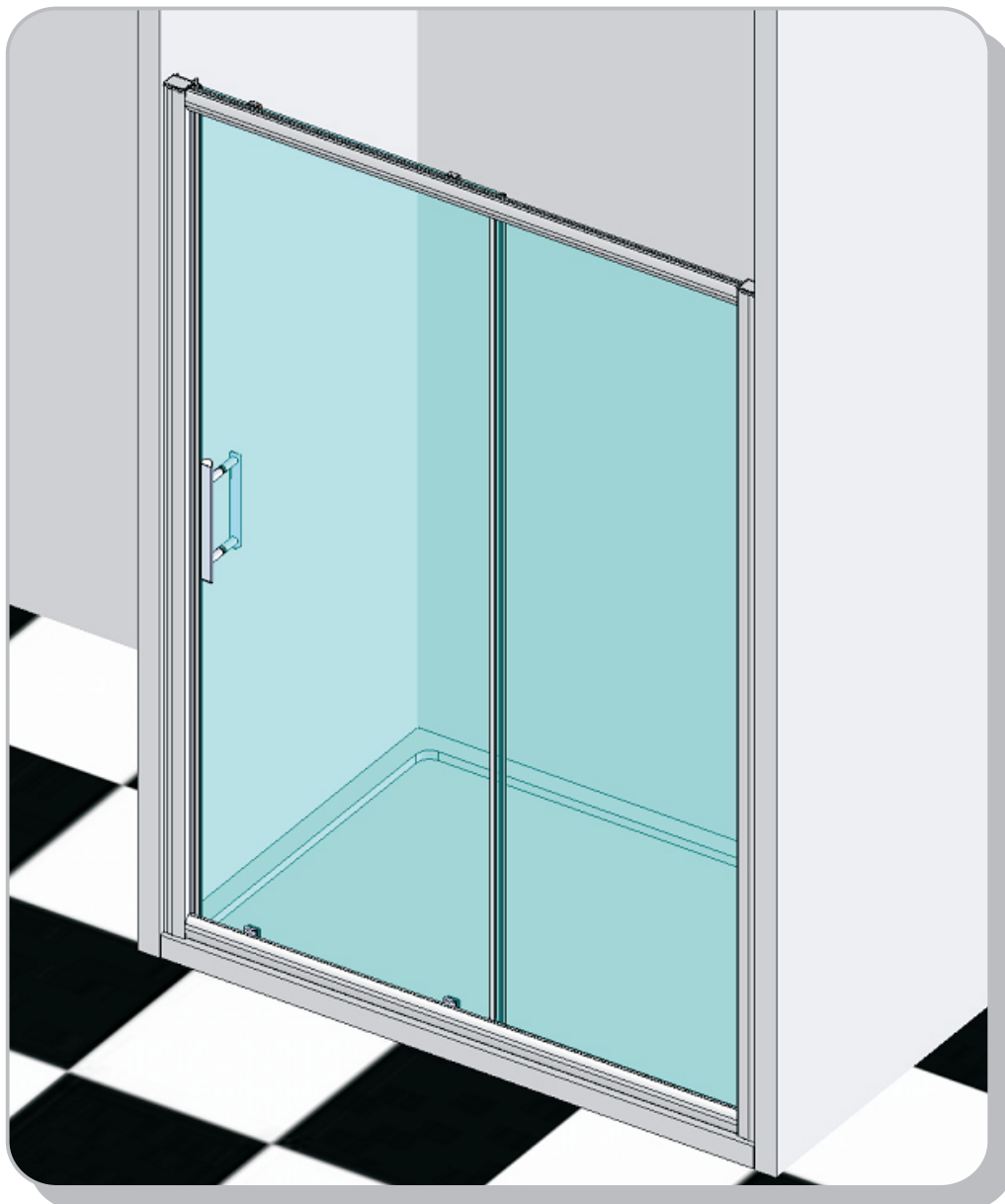
DO NOT attempt to install the product unless you can tick ALL 4 boxes as satisfactory.

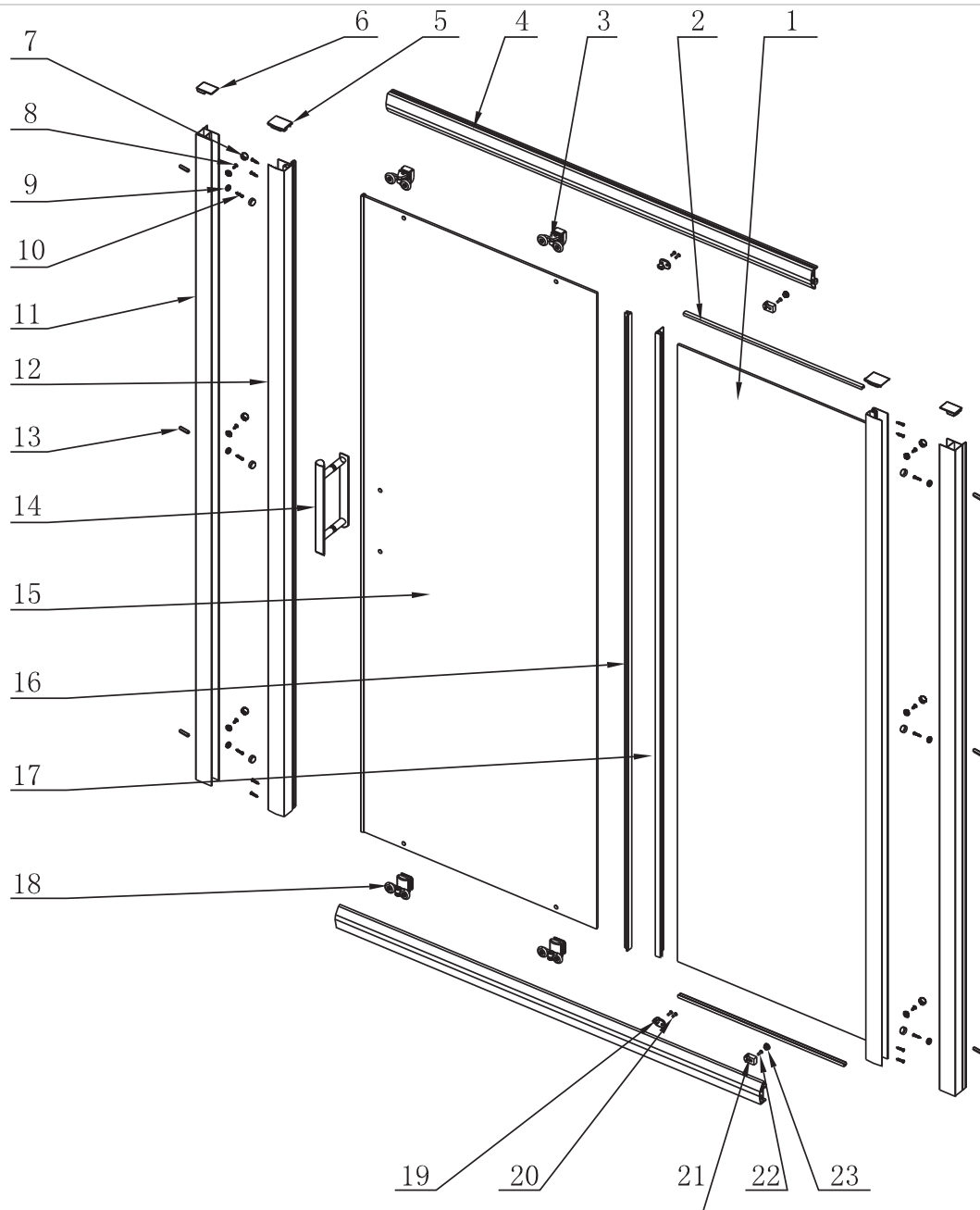
The wall plugs supplied with the installation kit are for use in solid walls. Hollow or 'stud-partition' walls will require alternative fixings. Please consult a hardware supplier for the correct type.

It may also be necessary to consult your tiling supplier about the correct method for drilling your tiles.

USE SAFETY EYEWEAR WHEN DRILLING

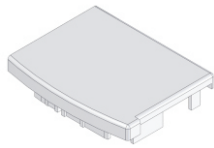
Any parts missing or damaged must be reported to your supplier within 5 days of purchase. Inspect shower enclosure before fitting. No claims will be acceptable after product has been installed.



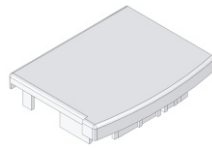


No.	Description	QTY	Part No.	No.	Description	QTY	Part No.
1	Flat fixed panel	1	A	13	∅ 6×30 wall plug	6	V6133
2	Bottom seal	2	V3211	14	Handle	1	S6HDLE
3	Top roller	2	S6LL8059	15	Moving panel	1	C
4	Rail	2	B	16	moving door upright water seal	1	S6LC84351871
5	Cover cap for upright profile L/R	2	V2101L/R	17	fixed door upright water seal	1	S6LC83291805
6	Cover cap for wall profile	2	V2104	18	Bottom roller	2	S6LL8060
7	Screw cover cap	12	V2115	19	glass clip	2	V6106L/R
8	Flat head screw ST4×12	6	V4110	20	Glass clip screw	4	V4101
9	Screw cover cap clip	12	V2114	21	Roller stop	2	V6105
10	B head screw ST4×30	14	V4111	22	Roller stop screw	2	V4109
11	wall profile	2	S6S01	23	Roller cover cap	2	V2109
12	magnetic upright profile	1	S6S03A				

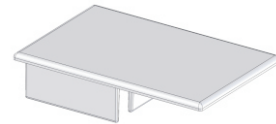
Note: Further part details for fixing kit available on page 2



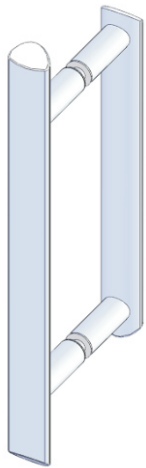
V2101L
X1



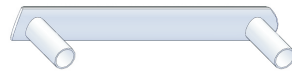
V2101R
X1



V2104
X2



S6HDLE
X2



S6HDLEP1 X1



S6HDLEP2 X1



S6HDLEP3 X2



S6HDLEP4 X2



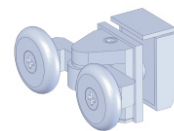
S6HDLEP5 X2



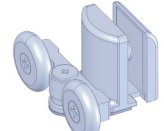
S6HDLEP5 X2



S6HDLEP5 X1



S6LL8059
X2



S6LL8060
X2



V2115
X12



V2114
X12



V6113
X6



V4111
X14



V4110
X6



V6115
X1

Tools Required

- 6mm masonry drill bit
- Spanner
- Power drill
- Quality Silicone
- Pencil
- Tape Measure
- #2 Philips Head screw driver
- Spirit level with horizontal and vertical level indicators

IMPORTANT - Installation site

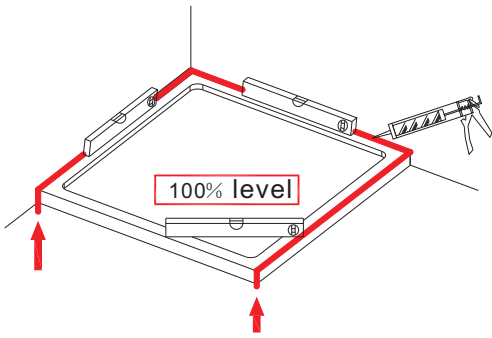
1. Ensure the top surface of the shower tray on which the enclosure will be installed is level in every direction.
2. The tiles or other wall finishing should be effectively sealed at the tray edges.
3. Tiles should extend at least to the corners of the tray and a minimum of 2.0 metres from the top of the tray.

PROCEDURE

TRAY MUST BE 100% LEVEL IN ALL DIRECTIONS

Ensure the shower tray is level in all directions and is properly sealed to the wall. The wall must be tiled down to the top edge of the tray. **Do not angle out bottom tile.**

TRAY MUST BE SEALED FULLY AROUND WHERE THE TRAY MEETS THE WALL.

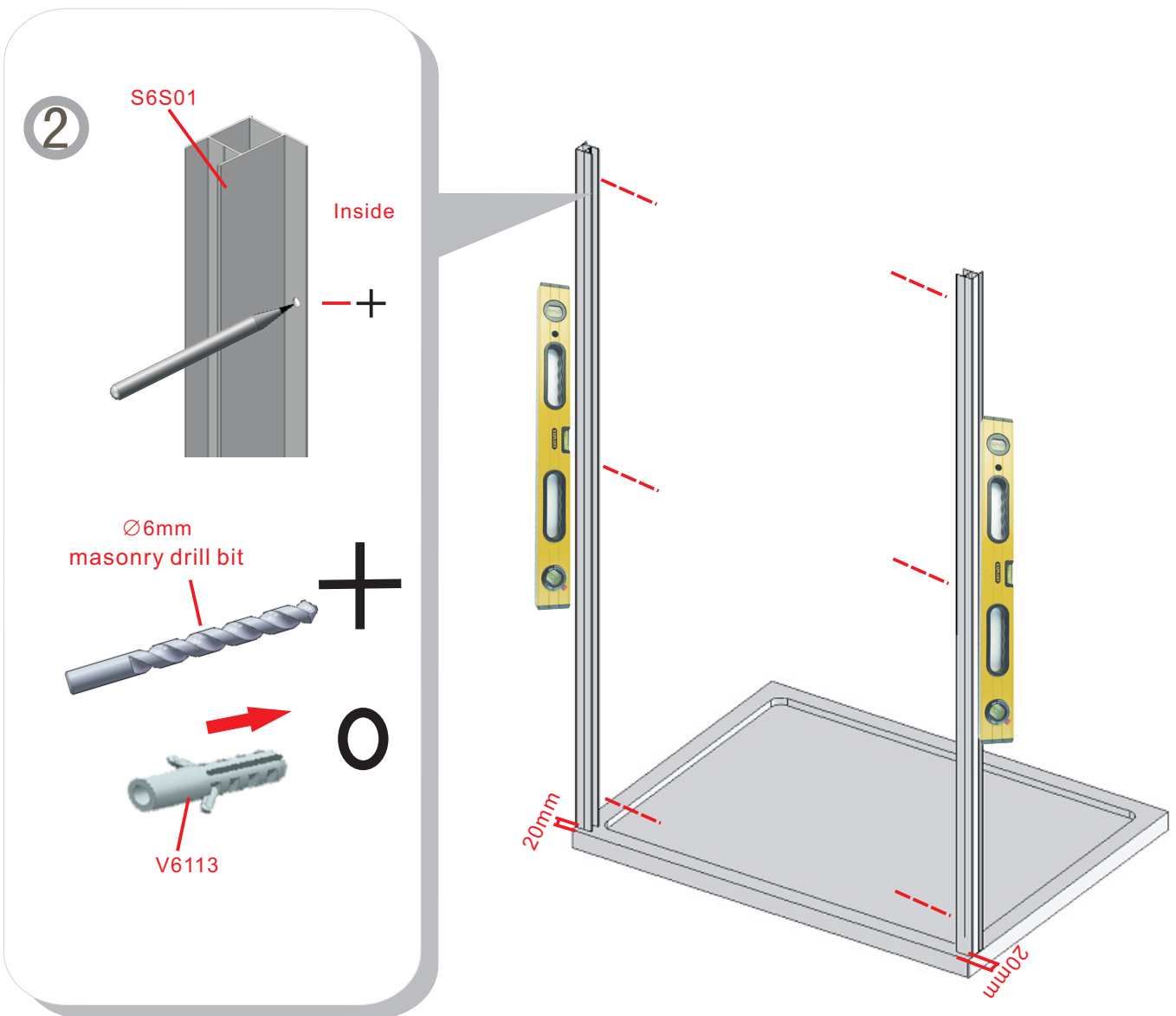


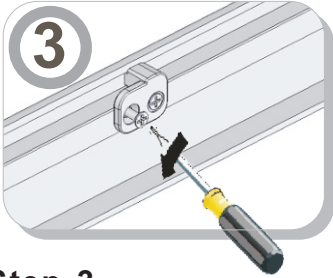
Step 1.

Step in wall profile 20mm from the front edge of the shower tray. Ensure wall profile plumb
Do not silicone behind wall profile to wall, see sealing section.

Step 2.

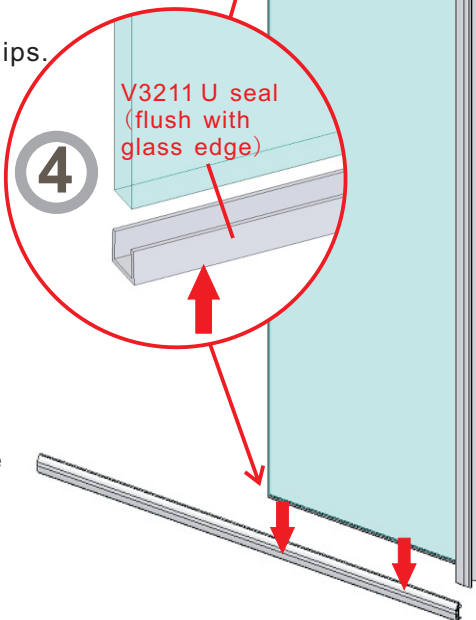
Mark the position for fixing the wall profile to wall. (Do not fix the wall profile yet)





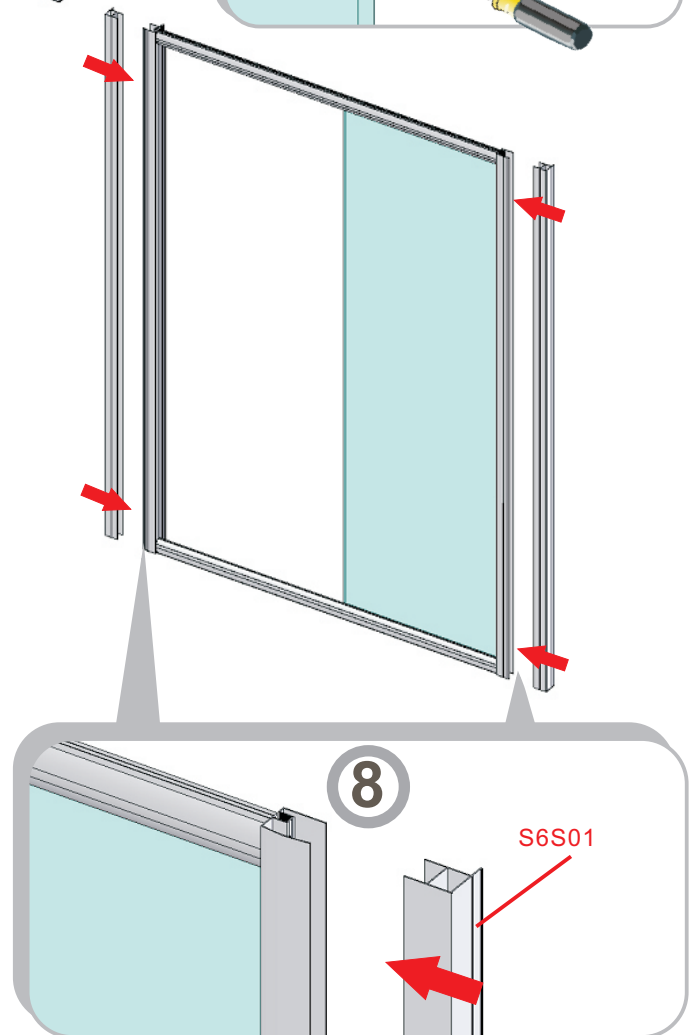
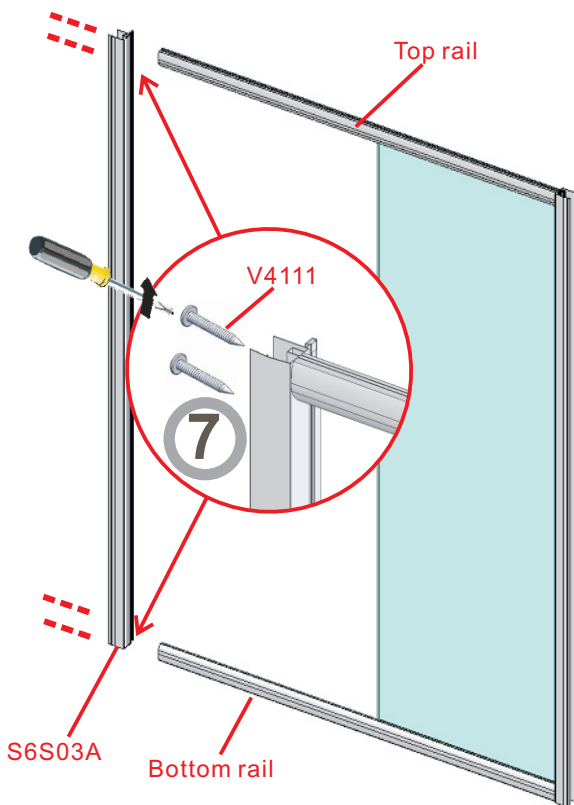
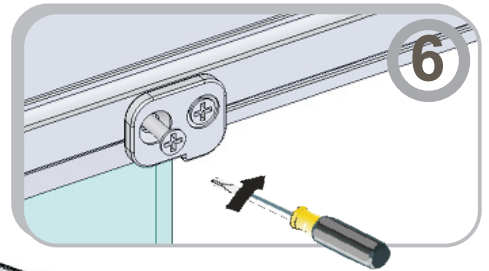
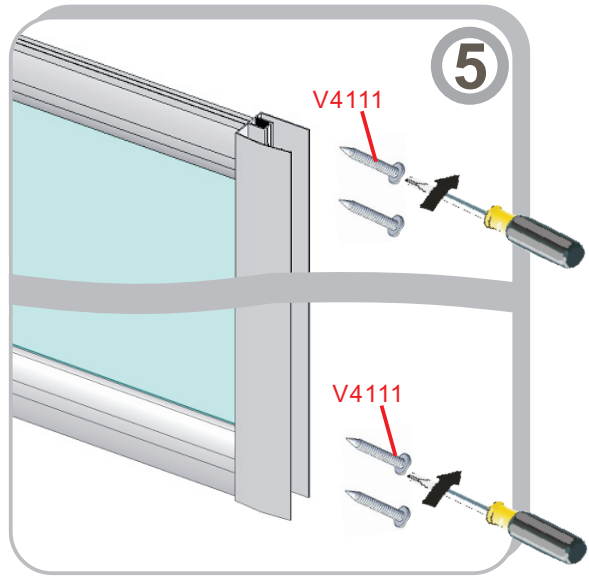
Step 3.
Loosen fixed glass panel clips.
Do not remove the screw.

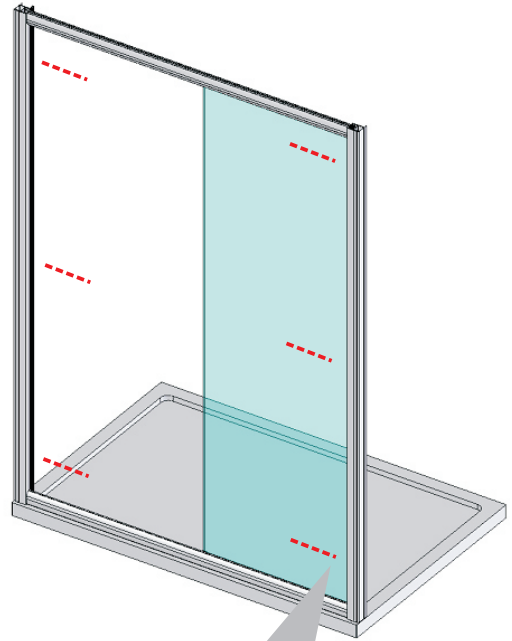
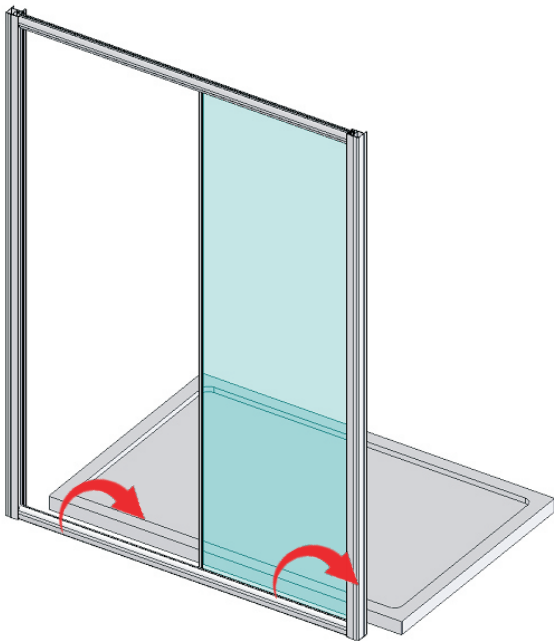
Step 4.
Place fixed panel U seal onto top & bottom edge of glass.



Step 6.
Tighten the glass clips.

Step 7.
Fix magnetic upright profile S6S03A using V4111.

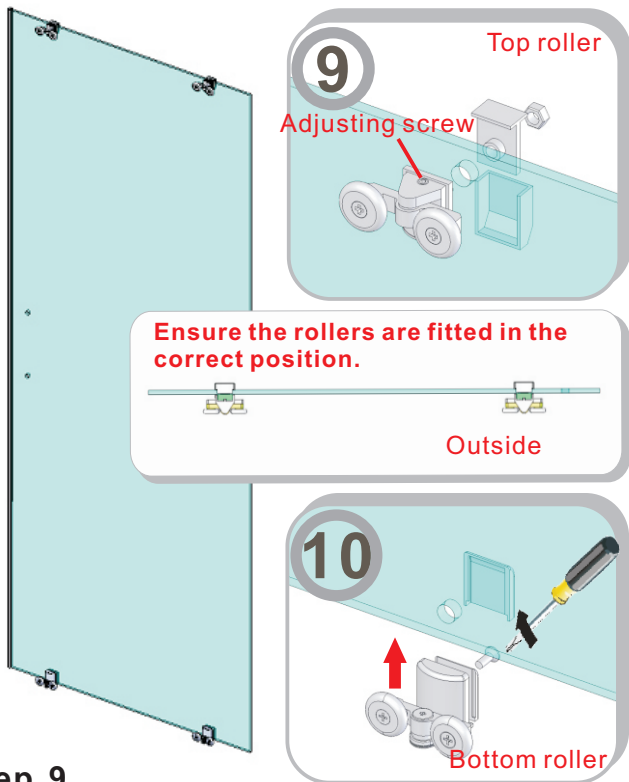
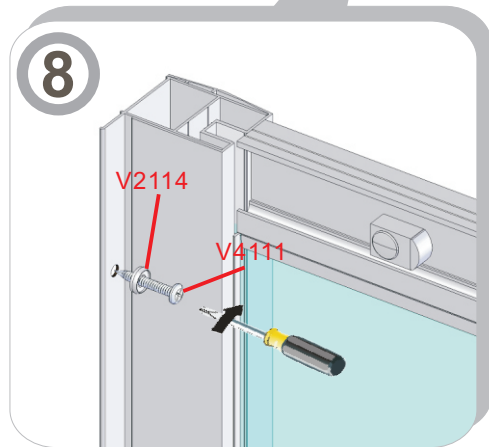




Step 8.

Position the assembled frame onto the shower tray, and fix the frame to the marked position on wall using V4111 flat head screw.

Tip: If you are not close to the minimum adjustment, fix the wall profile to the wall on the magnetic upright profile side first.



Ensure the rollers are fitted in the correct position.

Outside

Step 9.

Assemble the top rollers using spanner. Ensure you can see top adjusting screw.

Step 10.

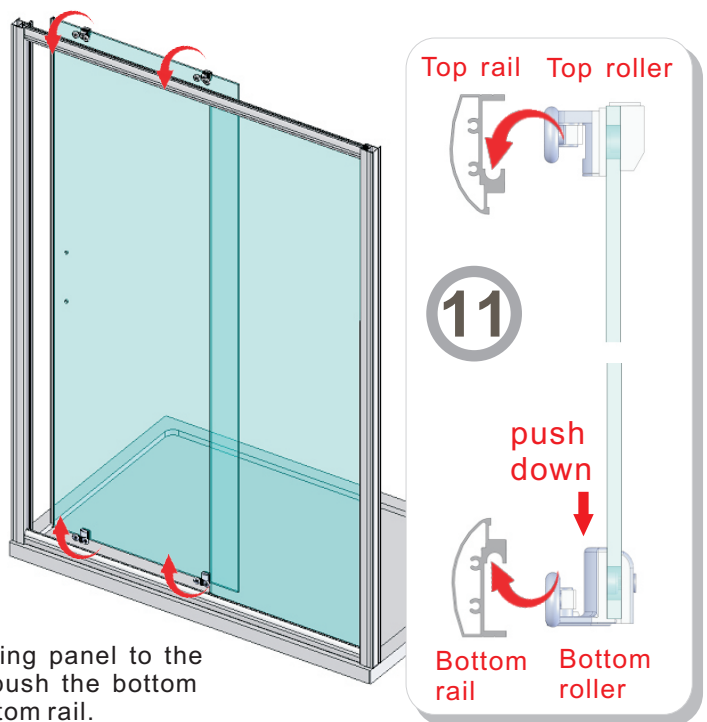
Assemble the bottom rollers using screw driver.

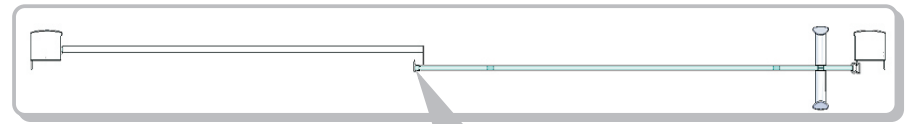
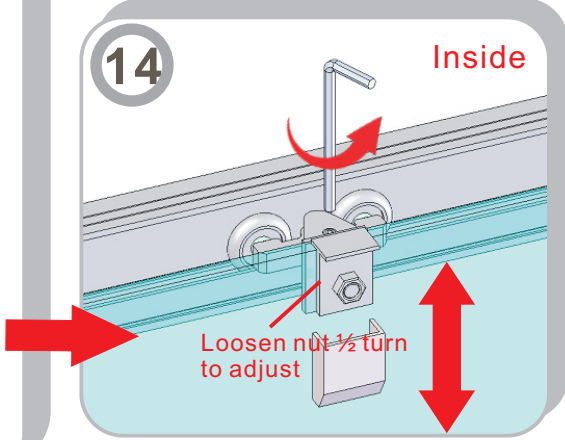
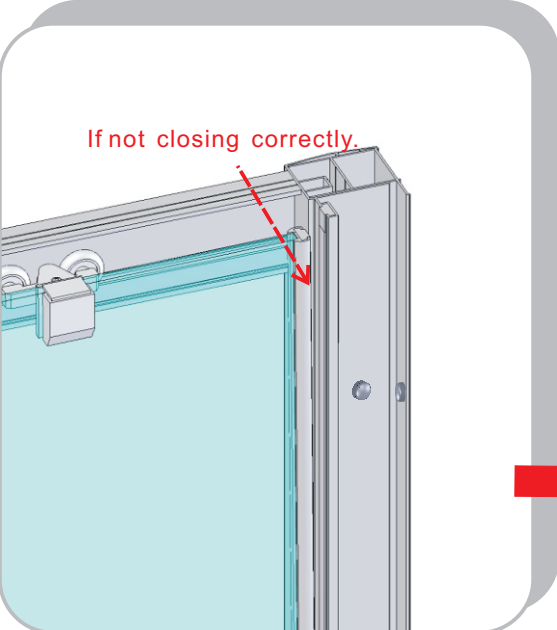
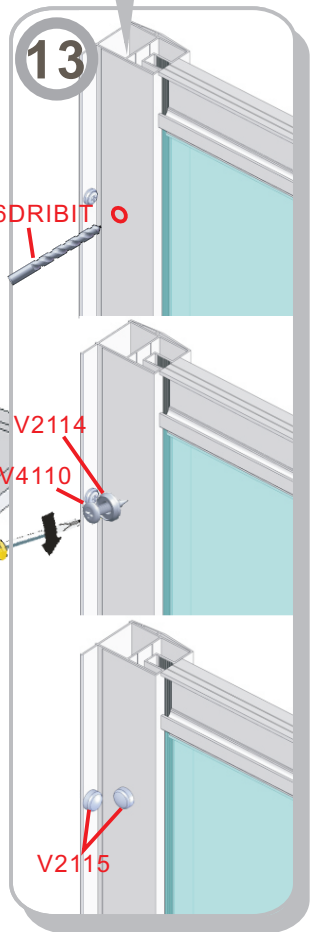
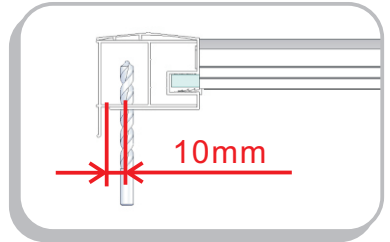
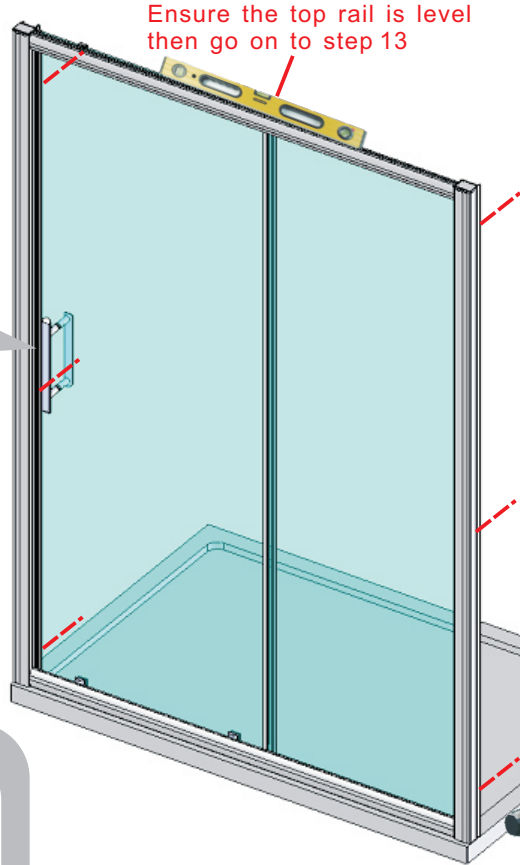
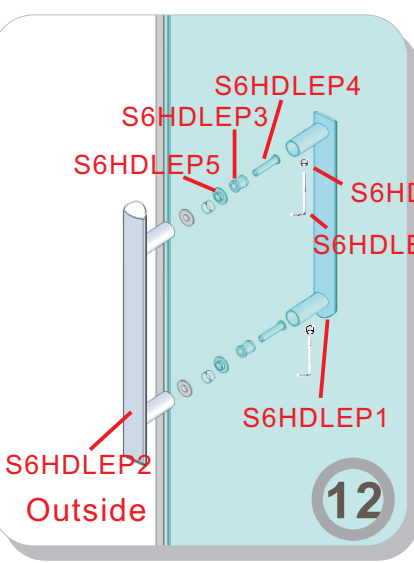
IMPORTANT: Rollers have spring for easy clean function.

Step 11.

Hang the moving panel to the top rail, then push the bottom rollers into bottom rail.

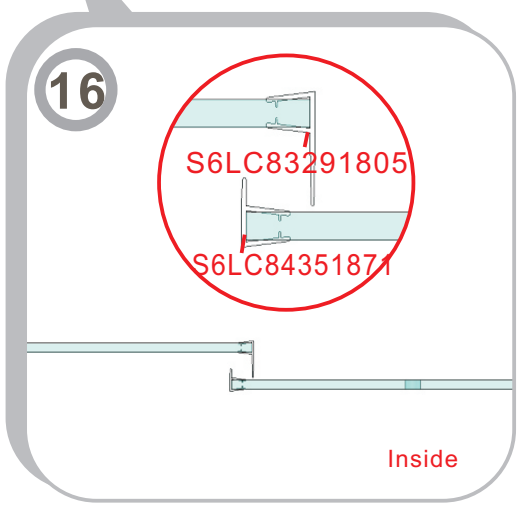
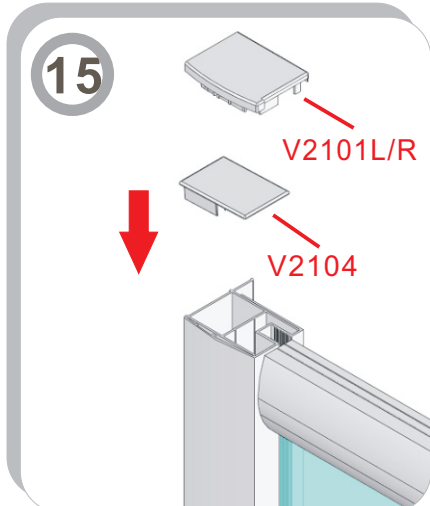
NOTE: Ensure handle is towards the magnetic profile.





Step 13.
Drill through upright and wall profile in 3 places top to bottom as shown.
Note: Drill 10mm from the back of the upright profile.

Step 14.
If the moving panels are not closing correctly, or there is any gap between the magnets, adjust the roller by first loosening the nut behind the roller slightly (max half turn). Then adjust screw at the top of the roller and tighten nut. Ensure bottom rollers are running properly in the bottom track.



Step 17.

Use a quality silicone sealant and applicator gun to seal the finished door.

SEALING INSIDE

Seal top to bottom on the **INSIDE** between the wall profile and the wall.

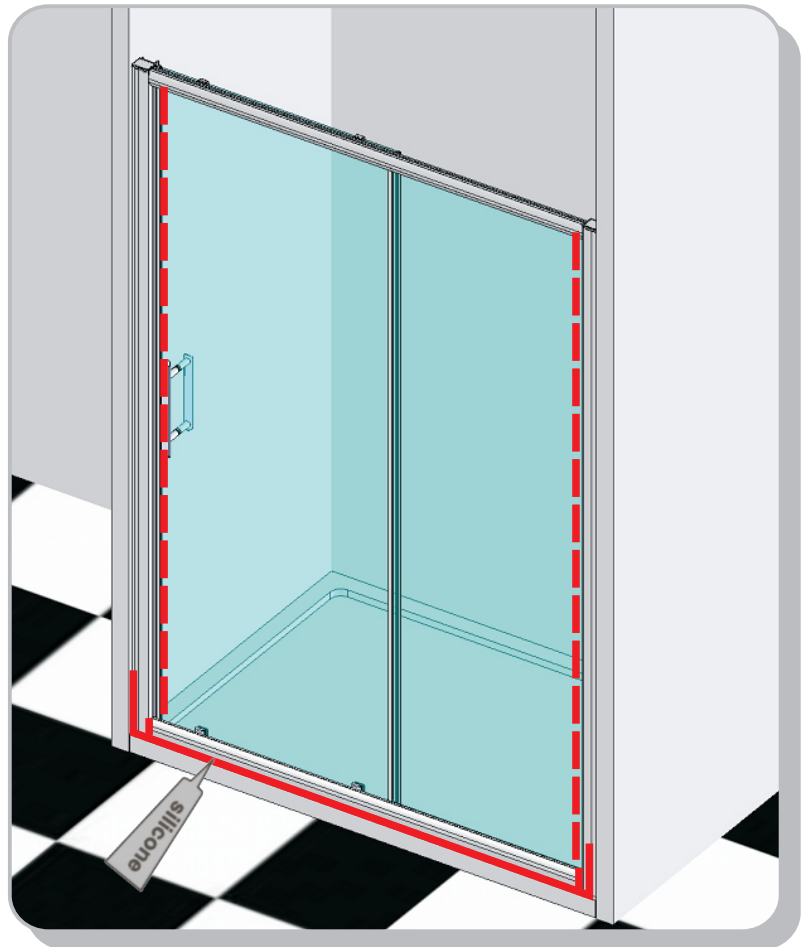
Note: Do not apply sealant on the inside of the tray.

SEALING OUTSIDE

Seal only along bottom on the **OUTSIDE** between glass/rail/profile and the tray and approx 50mm up between the wall profile and the wall. Seal at vertical joints on bottom of frame on outside only.



DO NOT use the enclosure for 24 hrs

**TROUBLE SHOOTING GUIDE****DOOR NOT ALIGNING**

1. Is the tray 100% level? (see page 3)
2. Have the walls been checked at different levels to ensure consistency?
3. Are the wall profiles stepped in 20 mm from the edge of the tray? (see step 1)
4. Do the finished tile measurements on the tray comply with the adjustment listed on the label and in the specifications book?
5. Are the rollers adjusted so the bottom rollers are running and not rattling in the bottom track. (see step 9, 10, 14)
6. Is the top rail level? (see step 13)

DOOR LEAKING

1. Have the rollers been adjusted so there is no gap between the magnets. (See step 14)
2. Is the upright seal fitted? (see step 16)
3. Is the door sealed correctly? (see step 17)

SIDE PANEL



IMPORTANT

Thank you for choosing Merlyn. Please familiarise yourself with the fitting instructions before commencing fitting.

1. Check that you have the tools required.
2. Check that the installation site is compatible with size of door supplied
3. Check all the enclosure components.
4. Check that the installation kit is complete

DO NOT attempt to install the product unless you can tick ALL 4 boxes as satisfactory.

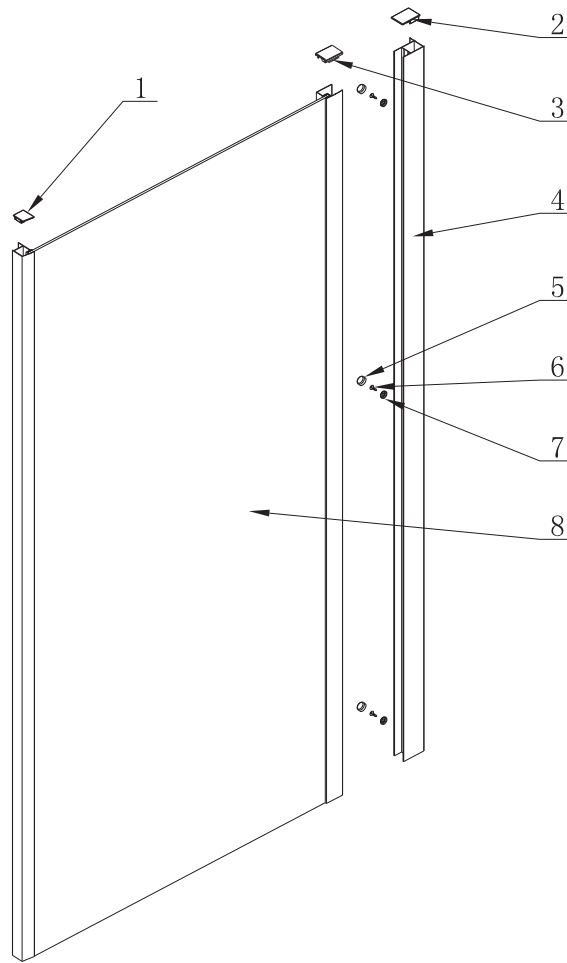
The wall plugs supplied with the installation kit are for use in solid walls. Hollow or 'stud-partition' walls will require alternative fixings. Please consult a hardware supplier for the correct type.

It may also be necessary to consult your tiling supplier about the correct method for drilling your tiles.

USE SAFETY EYEWEAR WHEN DRILLING

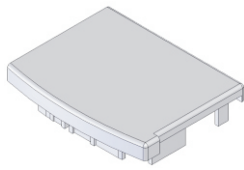
Any parts missing or damaged must be reported to your supplier within 5 days of purchase. Inspect shower enclosure before fitting. No claims will be acceptable after product has been installed.



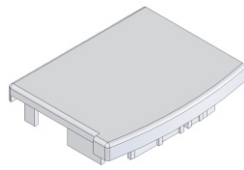


No.	Description	QTY	Part No.	No.	Description	QTY	Part No.
1	corner post cover cap	2	V2108L/R	5	Screw cover cap	3	V2109
2	Wall profile cap	1	V2104	6	Flat head ST4×12	3	V4110
3	side panel upright profile cap	2	V2103L/R	7	Screw cover cap clip	3	V2114
4	Extension profile (only for 760/800 side panel)	1	M6EXT	8	Fixed panel	1	A

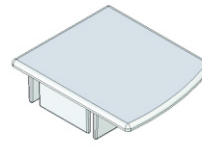
Note: Further part details for fixing kit available on page 2



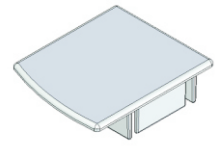
V2103R
×1



V2103L
×1



V2108L
×1



V2108R
×1



V2109
×3



V2114
×3



V4110
×3

Tools Required

- 6mm masonry drill bit
- Power drill
- Quality Silicone
- Pencil
- Tape Measure
- #2 Philips Headscrew driver
- Spirit level with horizontal and vertical level indicators

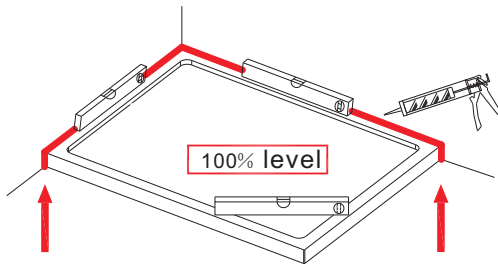
IMPORTANT - Installation site

1. Ensure the top surface of the shower tray on which the enclosure will be installed is level in every direction.
2. The tiles or other wall finishing should be effectively sealed at the tray edges.
3. Tiles should extend at least to the corners of the tray and a minimum of 2.0 metres from the top of the tray.

PROCEDURE

TRAY MUST BE 100% LEVEL IN ALL DIRECTIONS

Ensure the shower tray is level in all directions and is properly sealed to the wall. The wall must be tiled down to the top edge of the tray. **Do not angle out bottom tile.**



TRAY MUST BE SEALED FULLY AROUND WHERE THE TRAY MEETS THE WALL.

Note:

For installation of the pivot door, bifold door or Sliding door, please see the door instruction manual. Recommended that the pivot door is hinged from a supporting wall and not the side panel.

Step 1.

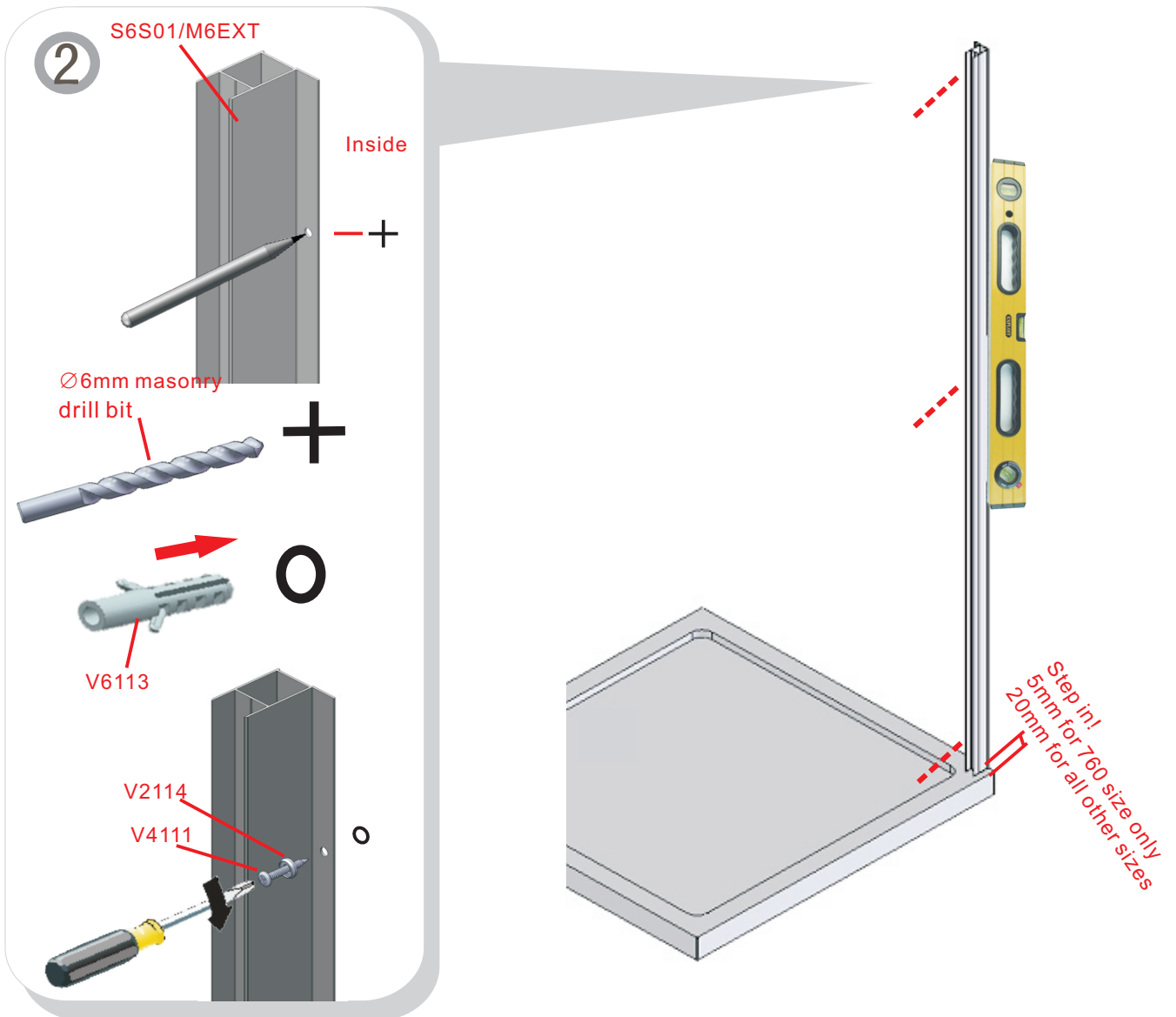
Step in wall profile (5mm for 760 size only / 20mm for all other sizes) from the front edge of the shower tray. Ensure wall profile plumb

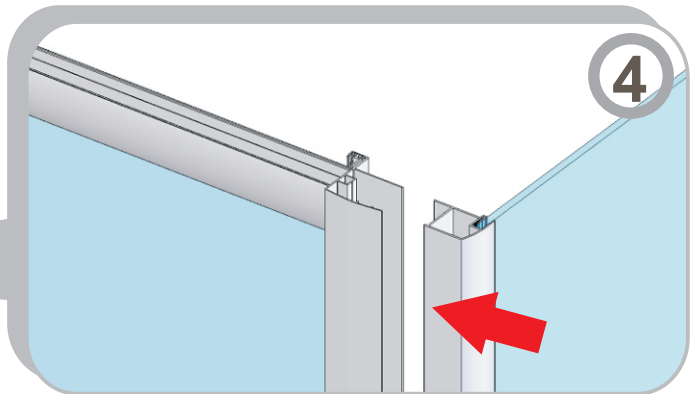
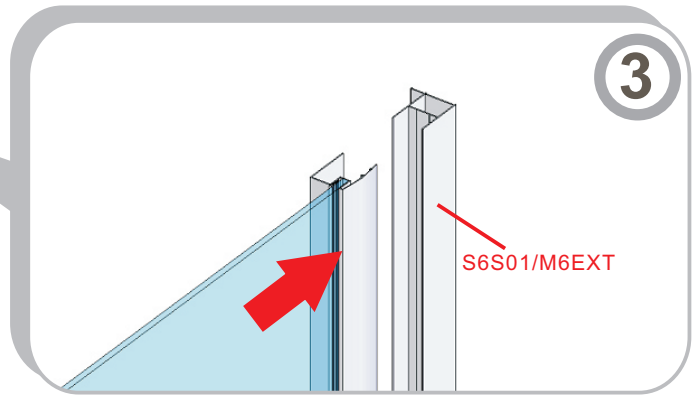
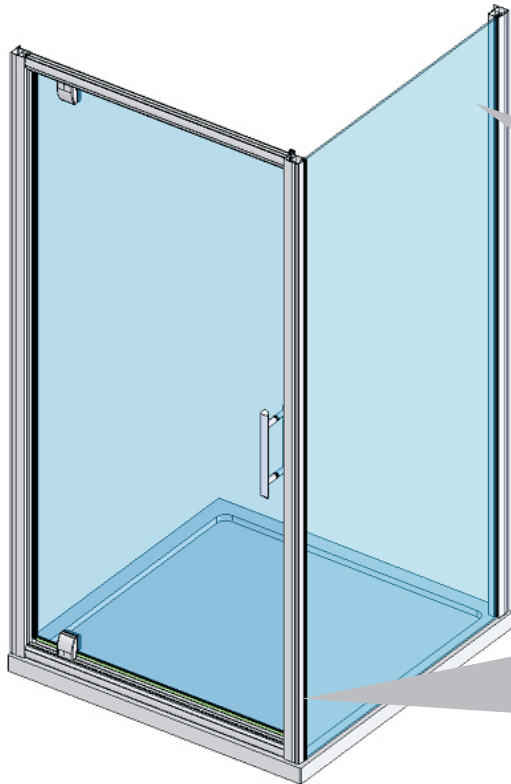
Do not silicone behind wall profile to wall, see sealing section.

IMPORTANT: Use the extension profile M6EXT with an 800 tray only (supplied with 760/800 side panel). For other sizes use the standard wall profile supplied in the door box.

Step 2.

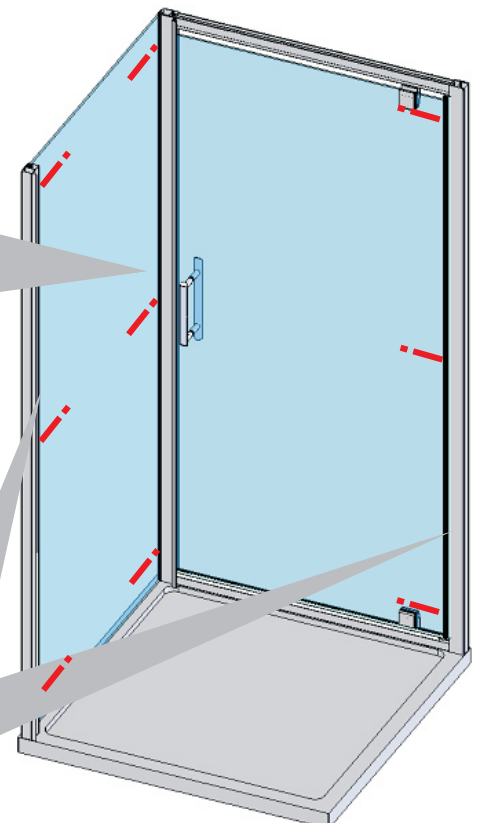
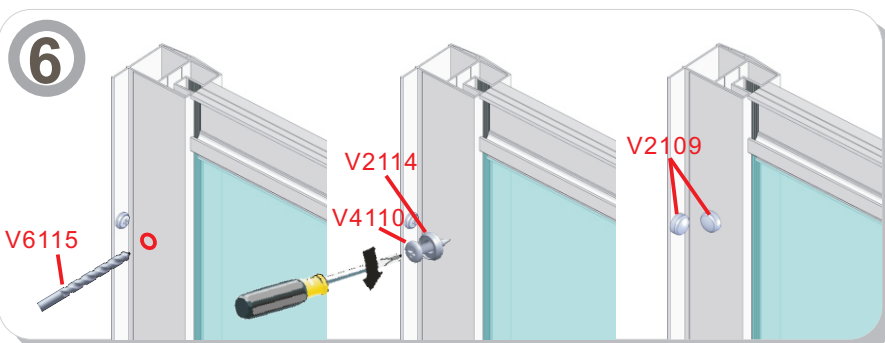
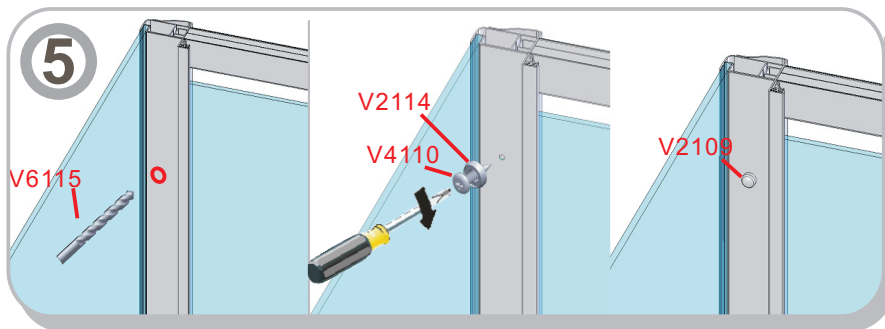
Mark the position for fixing the wall profile to wall.

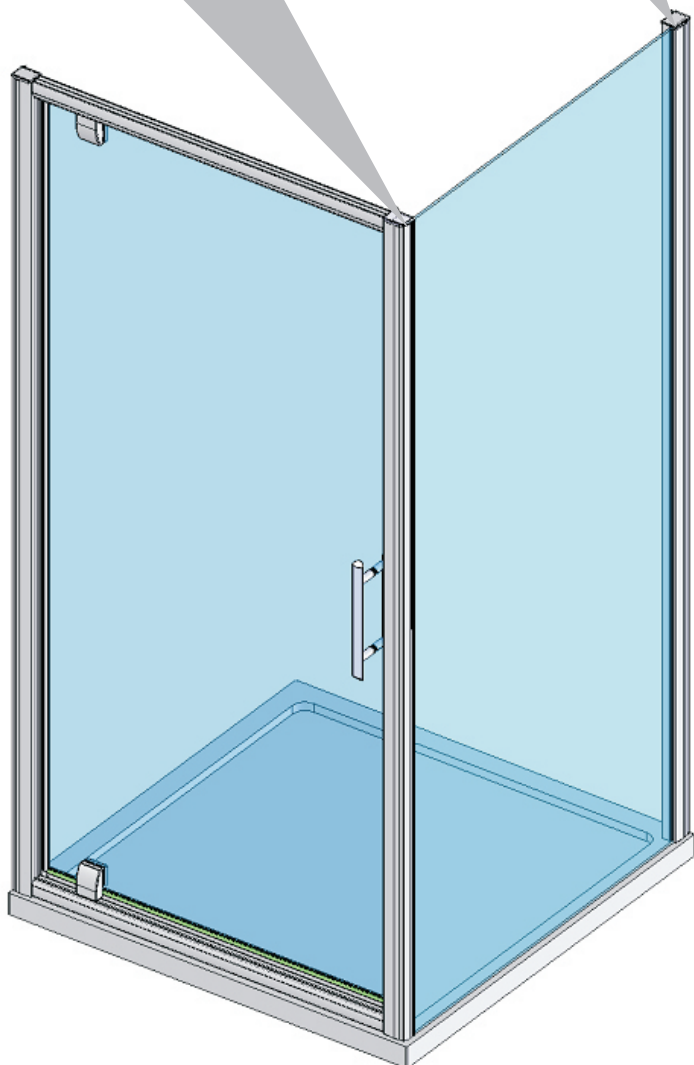
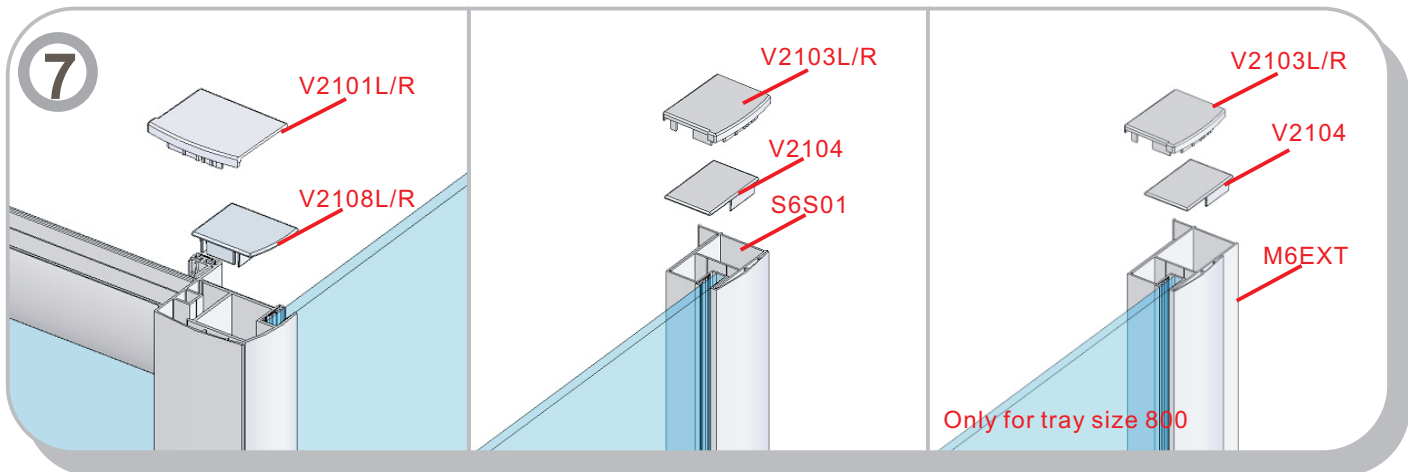




Step 3
Fit the side panel to other wall profile.

Step 4
Fit the side panel to the assembled frame.





Step 7
Fit top profile cover cap.

Step 8.

Use a quality silicone sealant and applicator gun to seal the finished door.

SEALING INSIDE

Seal top to bottom on the **INSIDE** between the wall profile and the wall.

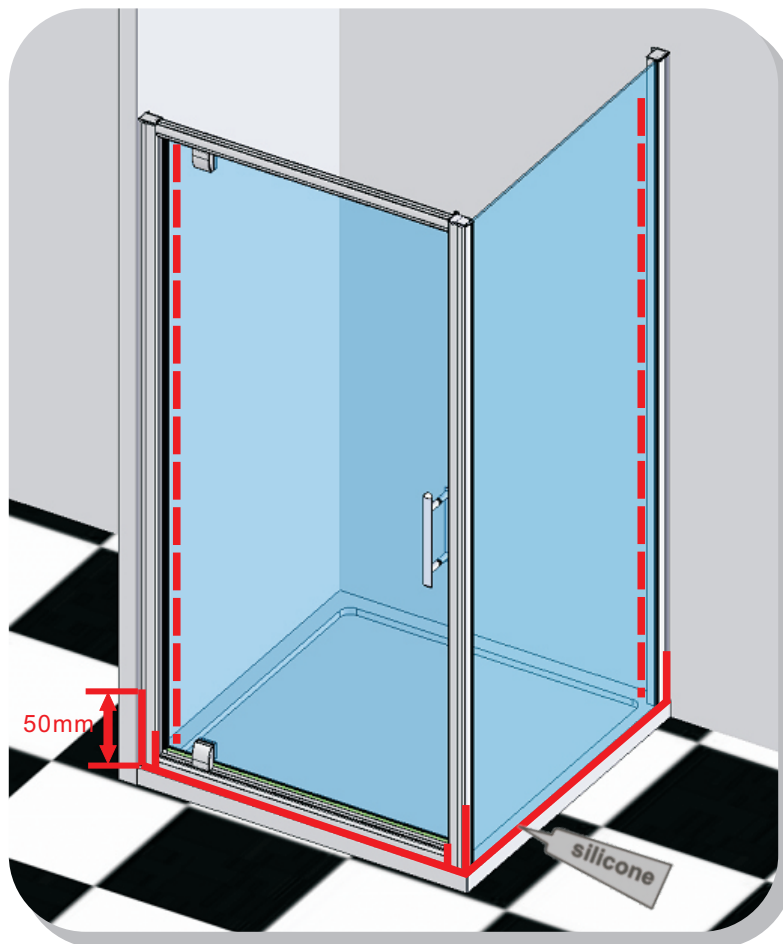
Note: Do not apply sealant on the inside of the tray.

SEALING OUTSIDE

Seal only along bottom on the **OUTSIDE** between glass/rail/profile and the tray and approx 50mm up between the wall profile and the wall. Seal joint between bottom profile and upright profile.



DO NOT use the enclosure for 24 hrs



TROUBLE SHOOTING GUIDE

DOOR NOT ALIGNING

1. Is the tray 100% level? (see page 3)
2. Have the walls been checked at different levels to ensure consistency?
3. Are the fixed panel wall profiles stepped in correctly? (see step 1, page 3)
4. Do the finished tile measurements on the tray comply with the adjustment listed on the label and in the specifications book?
5. Is the door sealed correctly? (see step 8)