

# PRODUCT DATA SHEET



**PRODUCT CODE**

GD112DNM

**RANGE**

GLIDE II

**DESCRIPTION**

Basin Mono Matt Black

**MIN. PRESSURE** 1 Bar

**MAX. PRESSURE** 5 Bar

**PRESSURE (BAR)**      **FLOWRATE**

**LOW**      0.2      1.4

**MID**      0.5      2.34

1      3.35

**HIGH**      2      4.38

3      4.38

**COLOUR** Matt Black

**MATERIAL** Brass

**FINISH APPLICATION** Powder Coated

**INSTALLATION TYPE** Deck Mounted

**STANDARDS** EN200:2008

**HEADWORK** 35mm Single Lever  
Ceramic Cartridge

**INLET CONNECTIONS THREAD** G1/2"

**FLOW REGULATOR** Perlator Coin Slot M24x1

**TAP HOLES** 1

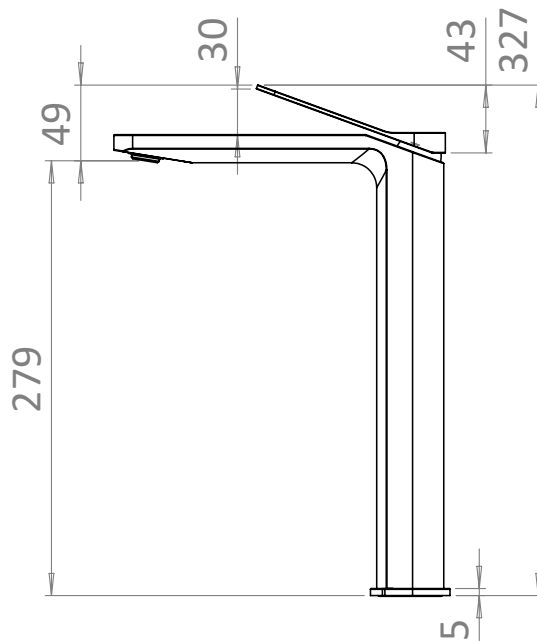
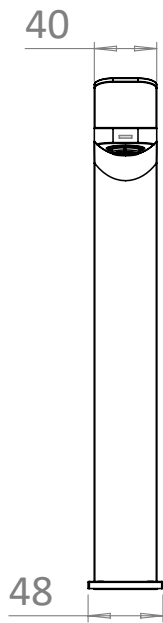
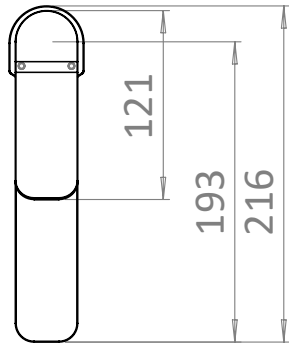
**WEIGHT** 2.8kg

**WARRANTY** 15 Years

## TECHNICAL DIMENSIONS

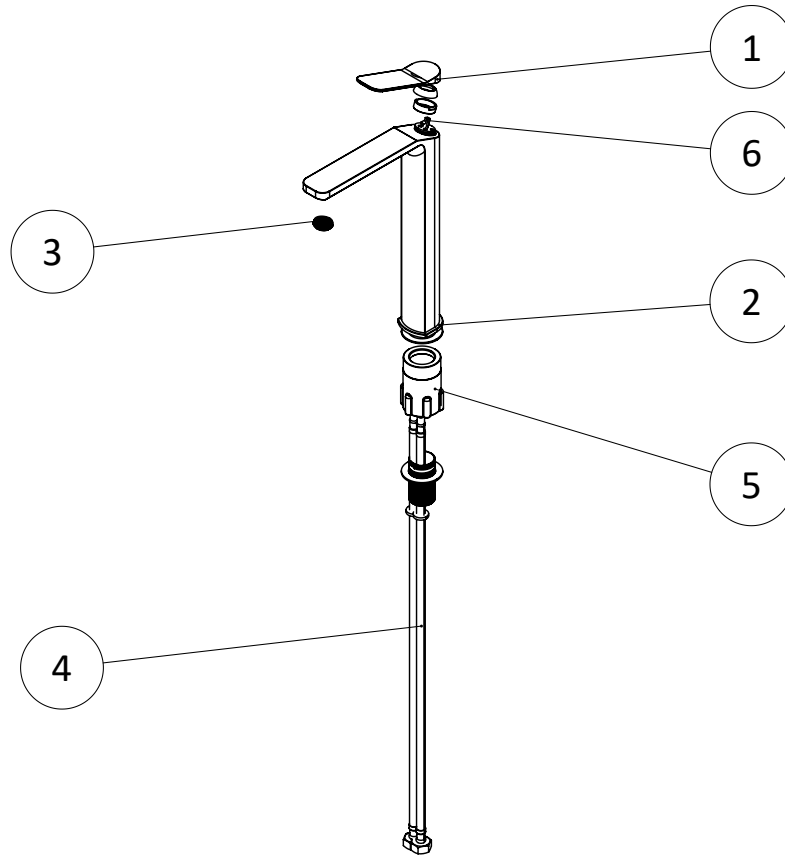
Dimensions in mm unless otherwise specified.

Tolerances (per material type) apply.



V11022

**SPARES DIAGRAM**



NUMBER	PART CODE	DESCRIPTION
1	A033110202	GD110/112V Stainless Lever
	A033110201	GD110/112M Matt Black Lever
	A033110200	GD110/112C Chrome Lever
	A033110203	GD110/112F Brushed Brass Lever
2	A033110302	GD110/112V Stainless Base Ring
	A033110301	GD110/112M Matt Black Base Ring
	A033110300	GD110/112C Chrome Base Ring
	A033110303	GD110/112F Brushed Brass Base Ring
3	B04001701	GD110/112/121 Aerator
4	B19001601	GD110 Flexible Hose (G1/2xM10x1-40CM)
5	B14000500	Glide & 3ONE6 110/112 Fixing Kit
6	B06004800	GD110/112 Cartridge

Only the parts labelled are available as spares.

V11022