

PRODUCT DATA SHEET



PRODUCT CODE

RT011T

RANGE

Rotar

DESCRIPTION

Rotar Soap Dispenser Slate

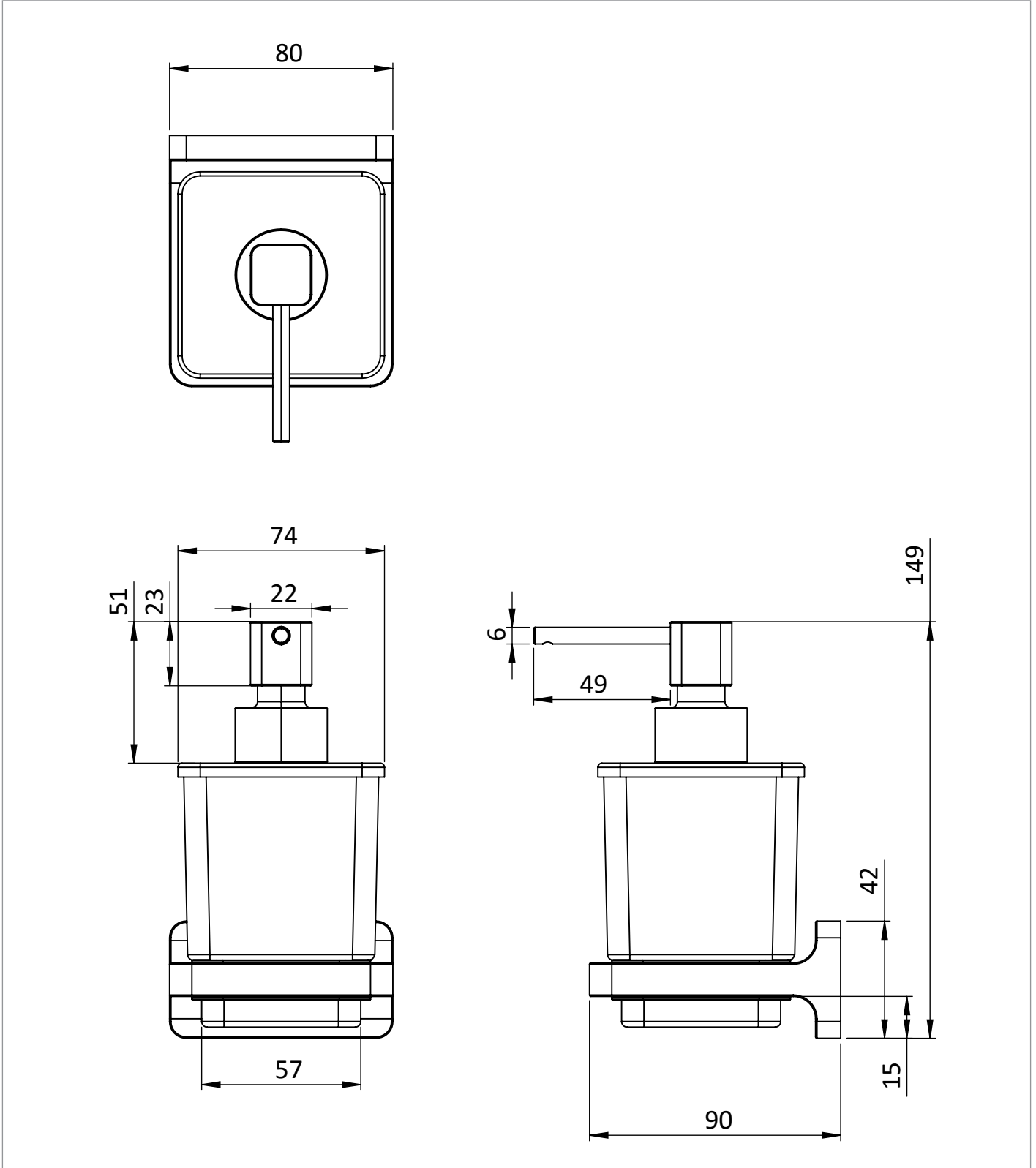
WEBSITE LINK [Click Here](#)

CATEGORY	Accessories
WARRANTY DETAILS	15 Years
COLOUR	Slate
FINISH APPLICATION	PVD
PRIMARY MATERIAL	Brass
SECONDARY MATERIAL	Glass
INSTALL TYPE	Wall Mounted
PRODUCT WIDTH MM	80
PRODUCT HEIGHT MM	149
PRODUCT DEPTH MM	110
PRODUCT NET WEIGHT KG	0.98

TECHNICAL DIMENSIONS

Dimensions in mm unless otherwise specified.

Tolerances (per material type) apply.



SPARES LIST

Only the parts labelled are available as spares.

SPARES AVAILABLE UPON REQUEST