

# PRODUCT DATA SHEET

# BRITTON<sup>®</sup>



## PRODUCT CODE

HOX029F

## RANGE

Hoxton 2.0

## DESCRIPTION

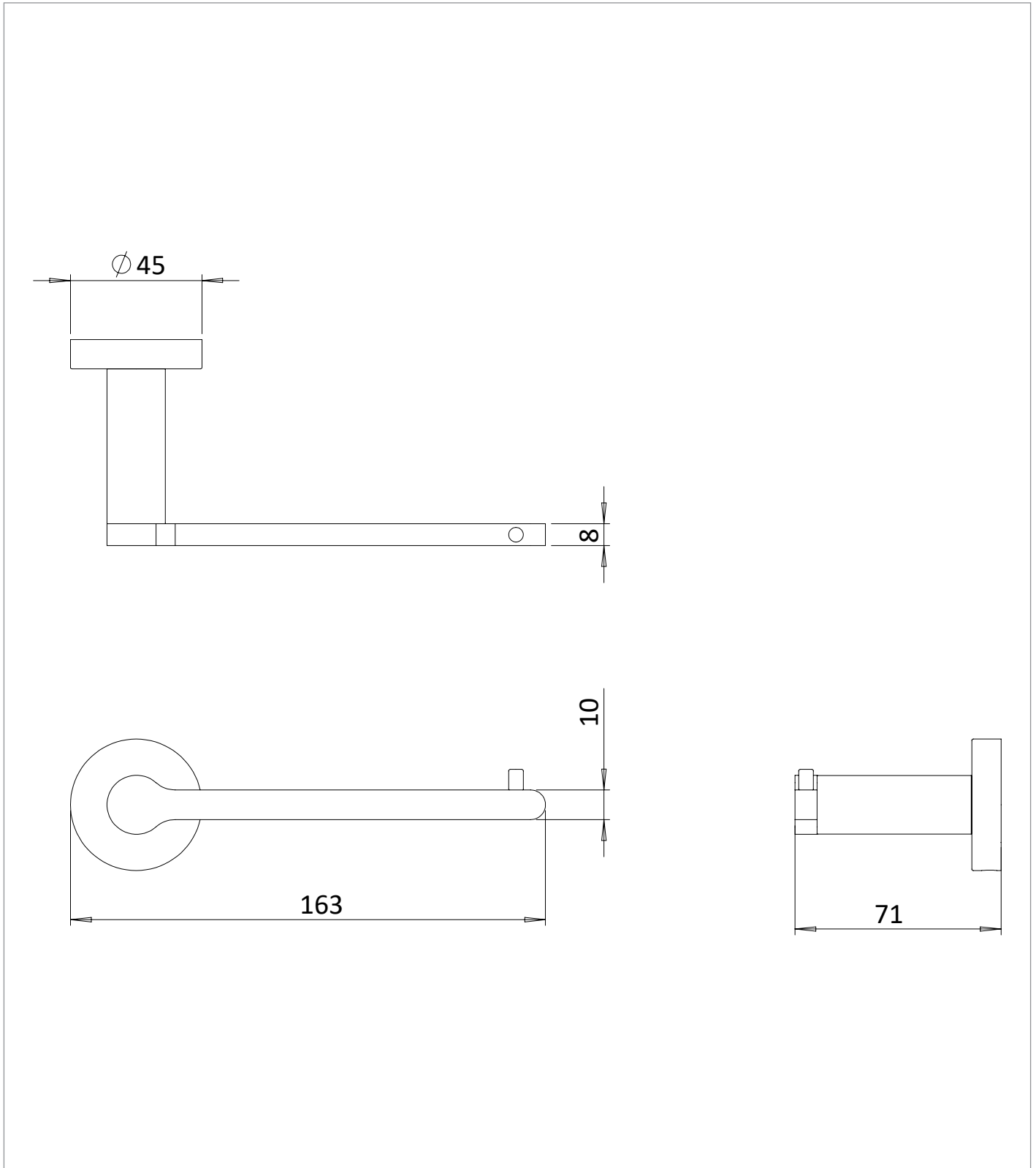
Hoxton 2.0 Single Toilet Roll Holder  
Brushed Brass

CATEGORY	Brassware
WARRANTY DETAILS	15 Years
COLOUR	Brushed Brass
FINISH APPLICATION	PVD
PRIMARY MATERIAL	Brass
INSTALL TYPE	Wall Mounted
PRODUCT WIDTH MM	163
PRODUCT HEIGHT MM	45
PRODUCT DEPTH MM	71

**TECHNICAL DIMENSIONS**

Dimensions in mm unless otherwise specified.

Tolerances (per material type) apply.



## SPARES LIST

Only the parts labelled are available as spares.

SPARES AVAILABLE UPON REQUEST