

# PRODUCT DATA SHEET



## PRODUCT CODE

LM6000DMOAN+

## RANGE

Limit

## DESCRIPTION

Limit Single Drawer Unit 600 Modern Oak/Anthracite

WEBSITE LINK [Click Here](#)

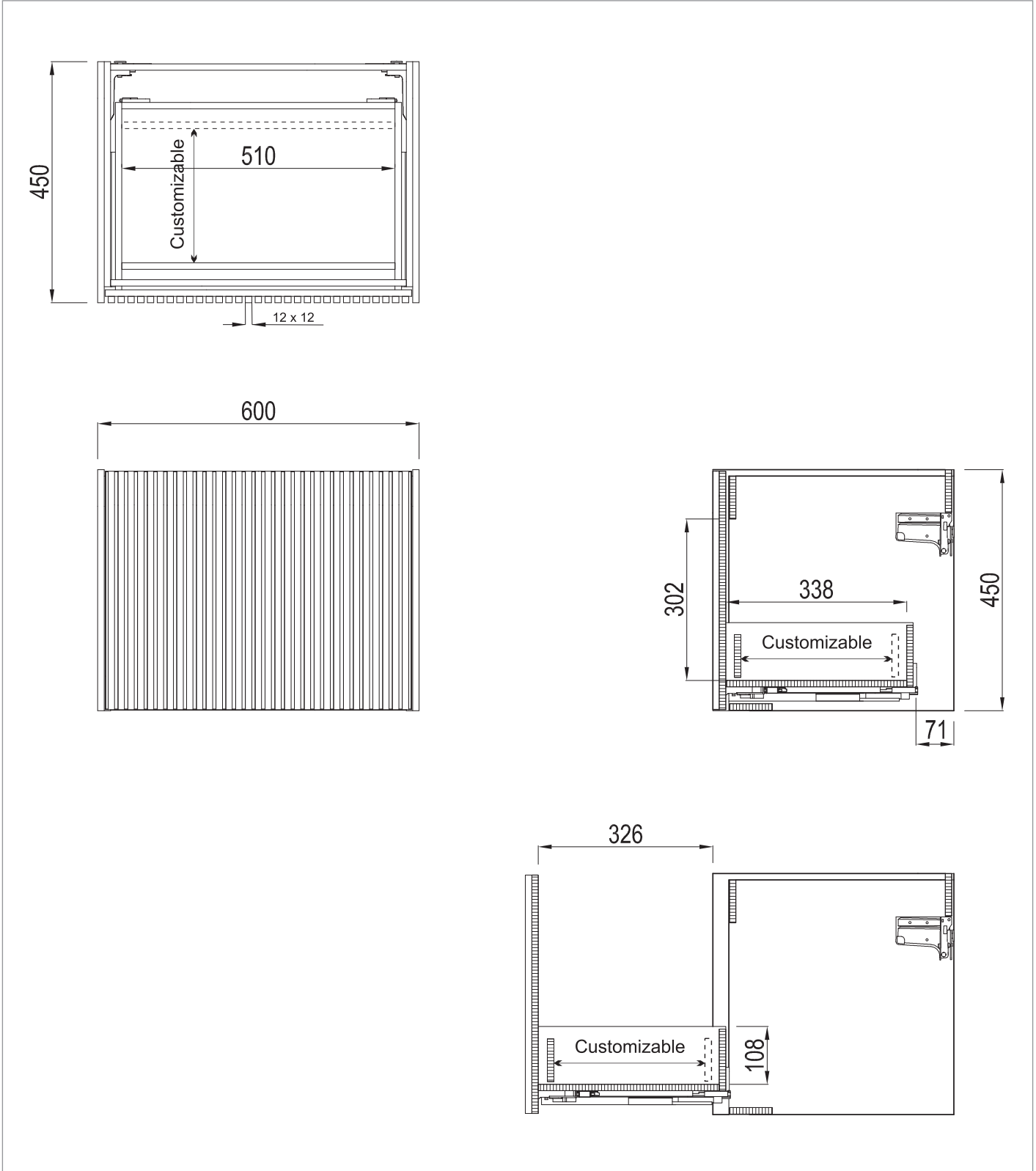
CATEGORY	Furniture
WARRANTY DETAILS	10 Years
COLOUR	Modern Oak
PRIMARY MATERIAL	MFC
INSTALL TYPE	Wall Mounted
PRODUCT WIDTH MM	600
PRODUCT HEIGHT MM	450
PRODUCT DEPTH MM	450
PRODUCT NET WEIGHT KG	14

DRAWER BOX	MFC
DRAWER RUNNERS	HETTICH QUADRO 4D V6/300
DRAWER EXTENSION	Full extension
DRAWER ADJUSTMENT	4
WALL HANGERS	Yes
ADJUSTABLE FEET	No
DRAWER CAPACITY	30kg
DRAWER OPERATION	Soft close/push to open

## TECHNICAL DIMENSIONS

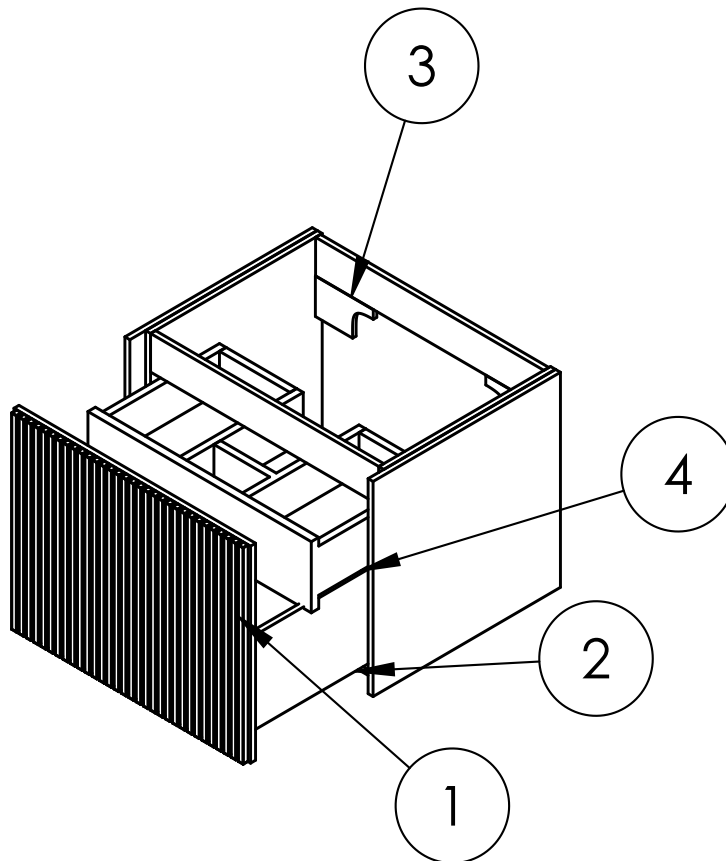
Dimensions in mm unless otherwise specified.

Tolerances (per material type) apply.



## SPARES LIST

Only the parts labelled are available as spares.



NUMBER	PART CODE	DESCRIPTION
1	DF_LM6000DMOAN+	Limit Drawer Front For LM6000DMOAN+
	DF_LM6000DSTAN+	Limit Drawer Front For LM6000DSTAN+
	DF_LM6000DRWAN+	Limit Drawer Front For LM6000DRWAN+
	DF_LM6000DWSAN+	Limit Drawer Front For LM6000DWSAN+
2	RUNNERSLIMIT_1+	Set of Drawer Runners x2 Limit Main Drawer
3	WBRACKETSLIMIT+	Wall Brackets x2 Limit
4	RUNNERSLIMIT_2+	Set of Draw Runners x2 Limit for Internal Drawer (Sold Separately)

# PRODUCT DATA SHEET



PRODUCT CODE  
FB0611SRW

RANGE  
FURN BASIN

DESCRIPTION  
Furniture Basin 600mm 1TH White  
Overflow

COLOUR White

MATERIAL Cast Mineral Marble

STANDARDS EN 31/EN 14688 - CL0

INSTALLATION TYPE Furniture Mounted

DOP CLASS 01-2017

CAPACITY OF WATER AT  
OVERFLOW LEVEL 15 L

BASIN WASTE SIZE 45mm

TAP HOLES 1TH

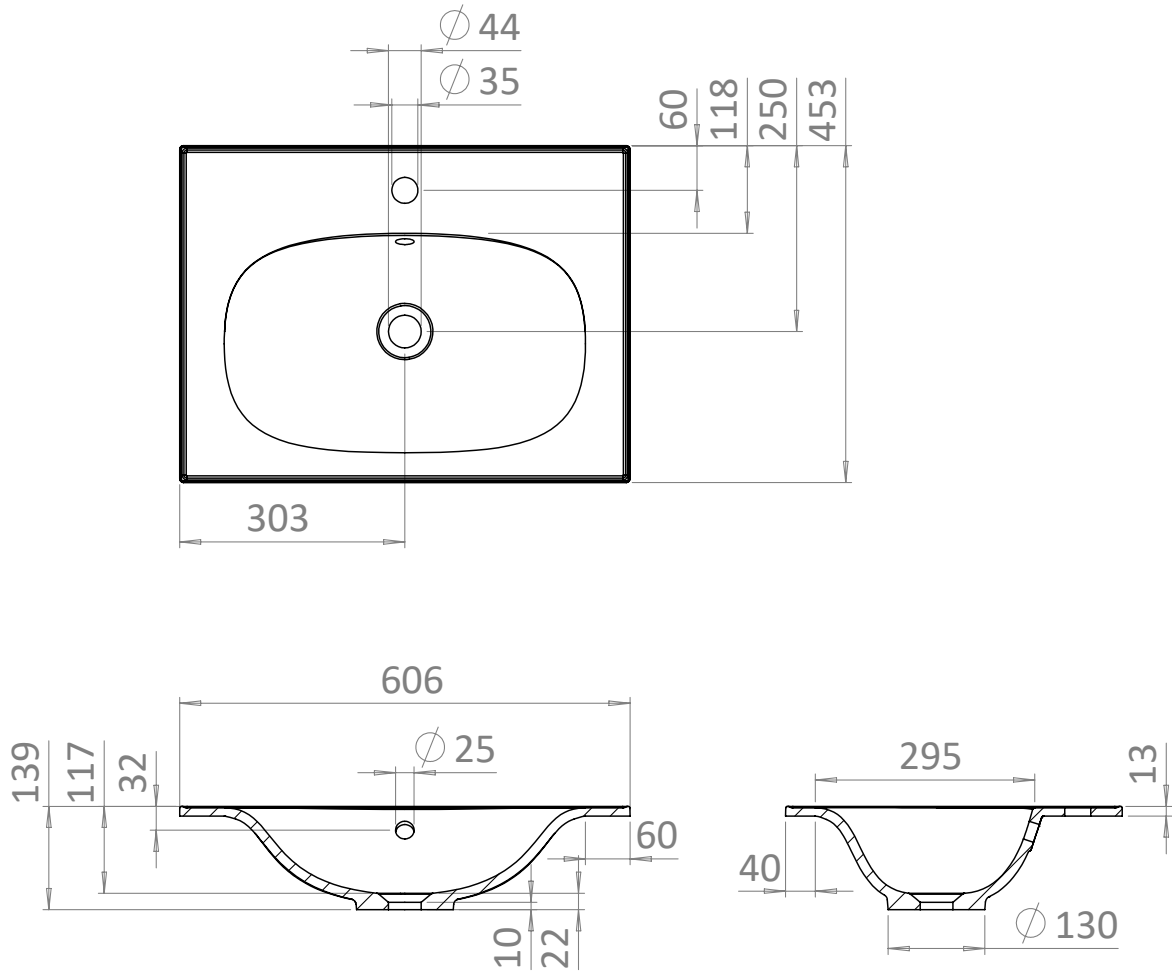
OVERFLOW Yes

WARRANTY 10 Years

## TECHNICAL DIMENSIONS

Dimensions in mm unless otherwise specified.

Tolerances (per material type) apply.



V10522

# PRODUCT DATA SHEET



**PRODUCT CODE**  
GL0611SIW+

**RANGE**  
GLIDE II

**DESCRIPTION**  
600mm Basin 1TH Ice White

**COLOUR** Ice White

**MATERIAL** Glass

**STANDARDS** EN 31  
EN 14688 - CLO

**INSTALLATION TYPE** Furniture Mounted

**CAPACITY OF WATER AT OVERFLOW LEVEL** 15 L

**BASIN WASTE SIZE** 45mm

**TAP HOLES** 1TH

**OVERFLOW** Yes

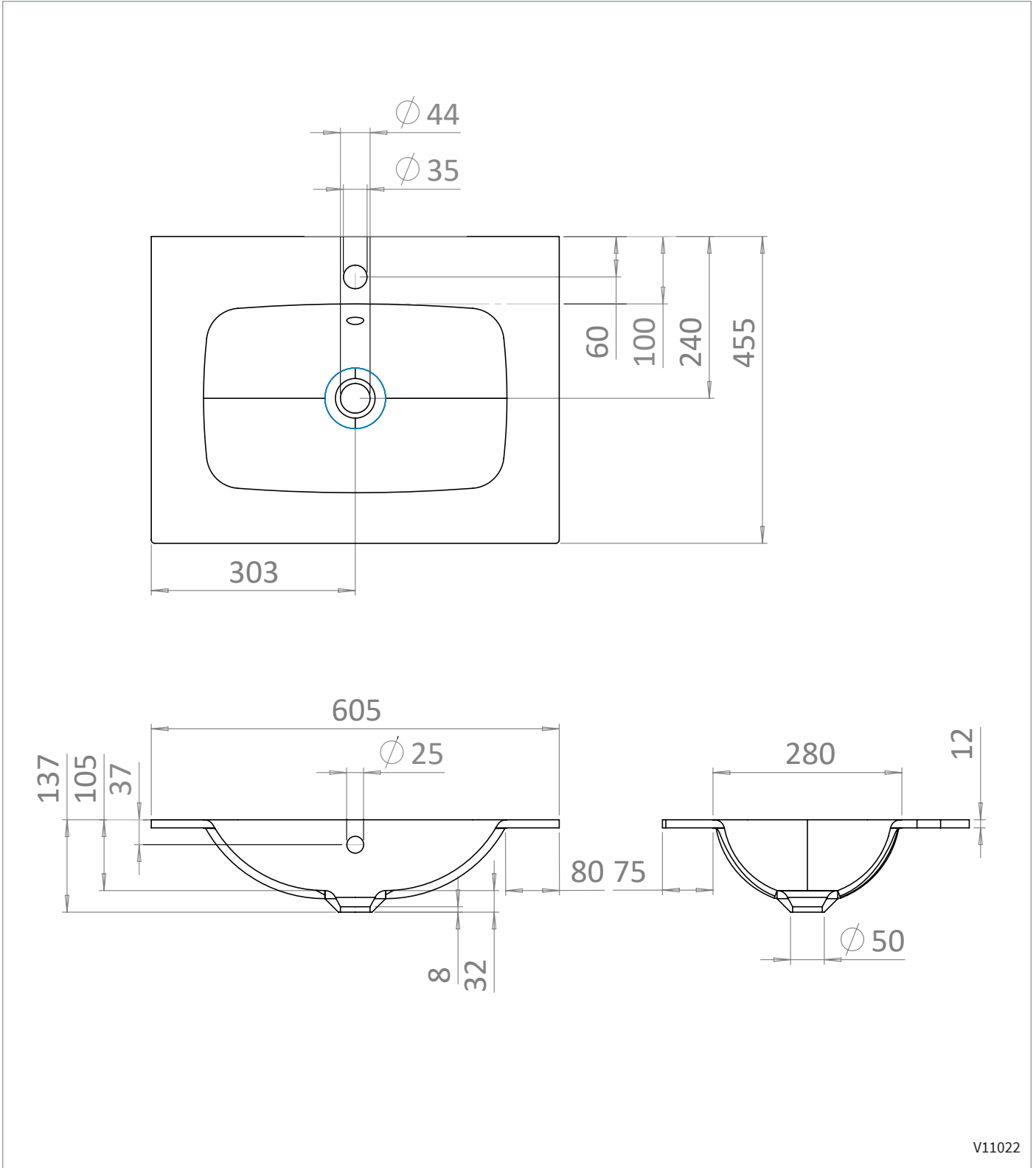
**WEIGHT** 8.3kg

**WARRANTY** 10 Years

## TECHNICAL DIMENSIONS

Dimensions in mm unless otherwise specified.

Tolerances (per material type) apply.



V11022