

PRODUCT DATA SHEET



PRODUCT CODE

LM7000DMOAN+

RANGE

Limit

DESCRIPTION

Limit Single Drawer Unit 700 Modern Oak/Anthracite

WEBSITE LINK [Click Here](#)

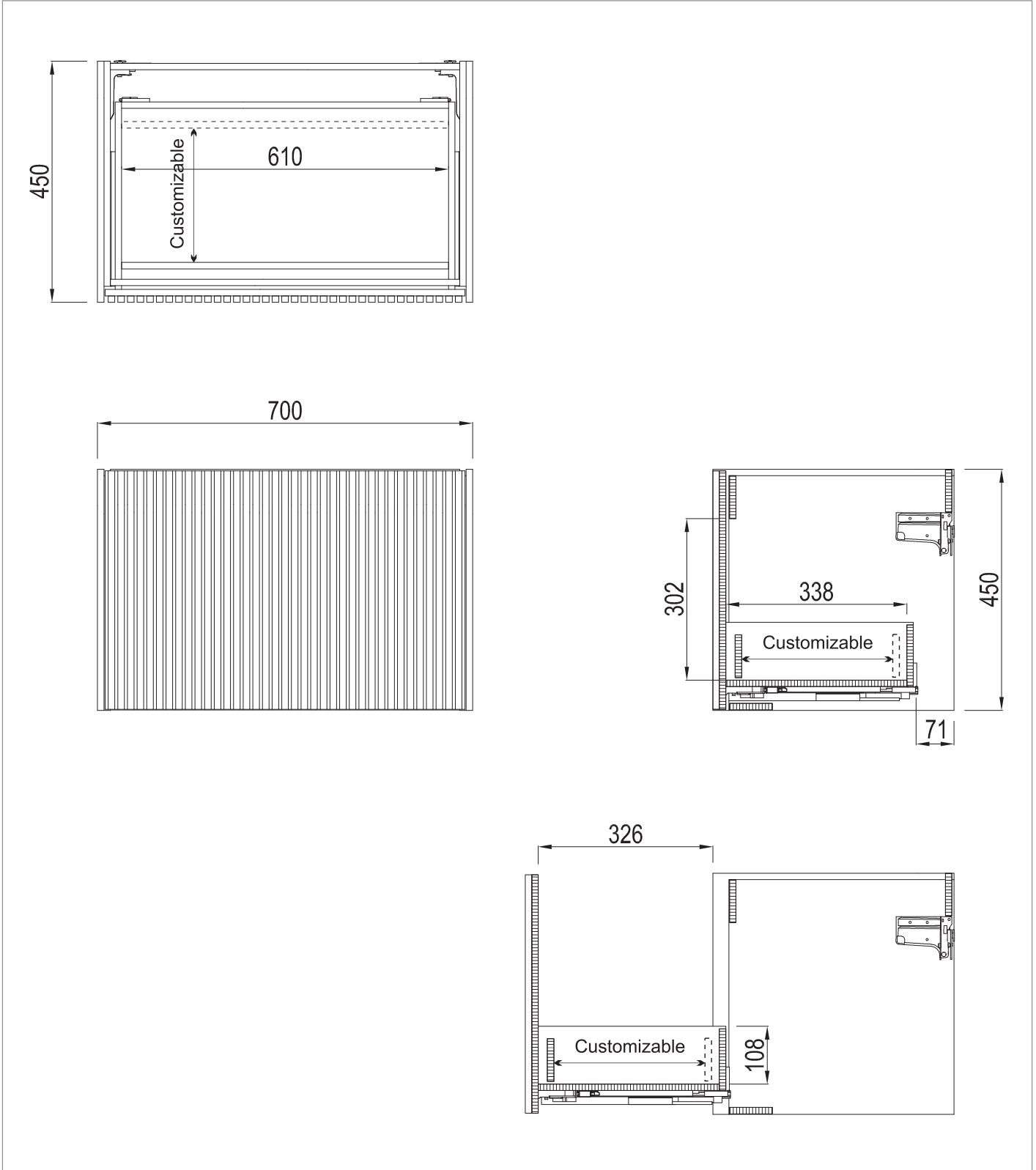
CATEGORY	Furniture
WARRANTY DETAILS	10 Years
COLOUR	Modern Oak
PRIMARY MATERIAL	MFC
INSTALL TYPE	Wall Mounted
PRODUCT WIDTH MM	700
PRODUCT HEIGHT MM	450
PRODUCT DEPTH MM	450
PRODUCT NET WEIGHT KG	16

DRAWER BOX	MFC
DRAWER RUNNERS	HETTICH QUADRO 4D V6/300
DRAWER EXTENSION	Full extension
DRAWER ADJUSTMENT	4
WALL HANGERS	Yes
ADJUSTABLE FEET	No
DRAWER CAPACITY	30kg
DRAWER OPERATION	Soft close/push to open

TECHNICAL DIMENSIONS

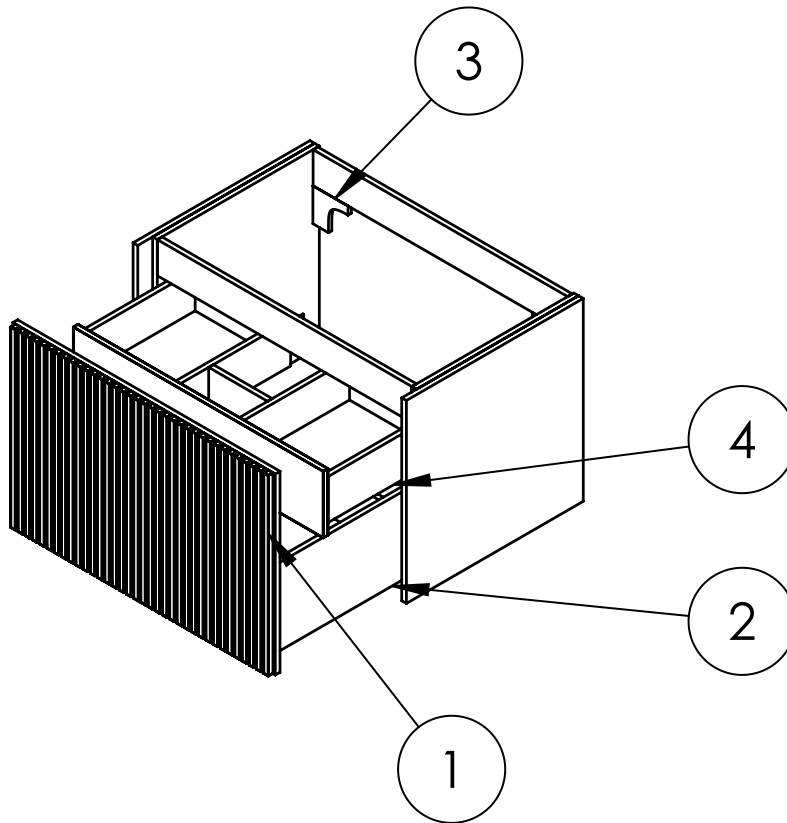
Dimensions in mm unless otherwise specified.

Tolerances (per material type) apply.



SPARES LIST

Only the parts labelled are available as spares.



NUMBER	PART CODE	DESCRIPTION
1	DF_LM7000DMOAN+	Limit Drawer Front For LM7000DMOAN+
	DF_LM7000DSTAN+	Limit Drawer Front For LM7000DSTAN+
	DF_LM7000DRWAN+	Limit Drawer Front For LM7000DRWAN+
	DF_LM7000DWSAN+	Limit Drawer Front For LM7000DWSAN+
2	RUNNERSLIMIT_1+	Set of Drawer Runners x2 Limit Main Drawer
3	WBACKETSLIMIT+	Wall Brackets x2 Limit
4	RUNNERSLIMIT_2+	Set of Draw Runners x2 Limit for Internal Drawer (Sold Seperately)

PRODUCT DATA SHEET



PRODUCT CODE
FB0711SRW

RANGE
FURN BASIN

DESCRIPTION
Furniture Basin 700mm 1TH White
Overflow

COLOUR White

MATERIAL Cast Mineral Marble

STANDARDS EN 31/EN 14688 - CL0

INSTALLATION TYPE Furniture Mounted

DOP CLASS 01-2017

CAPACITY OF WATER AT
OVERFLOW LEVEL 15 L

BASIN WASTE SIZE 45mm

TAP HOLES 1TH

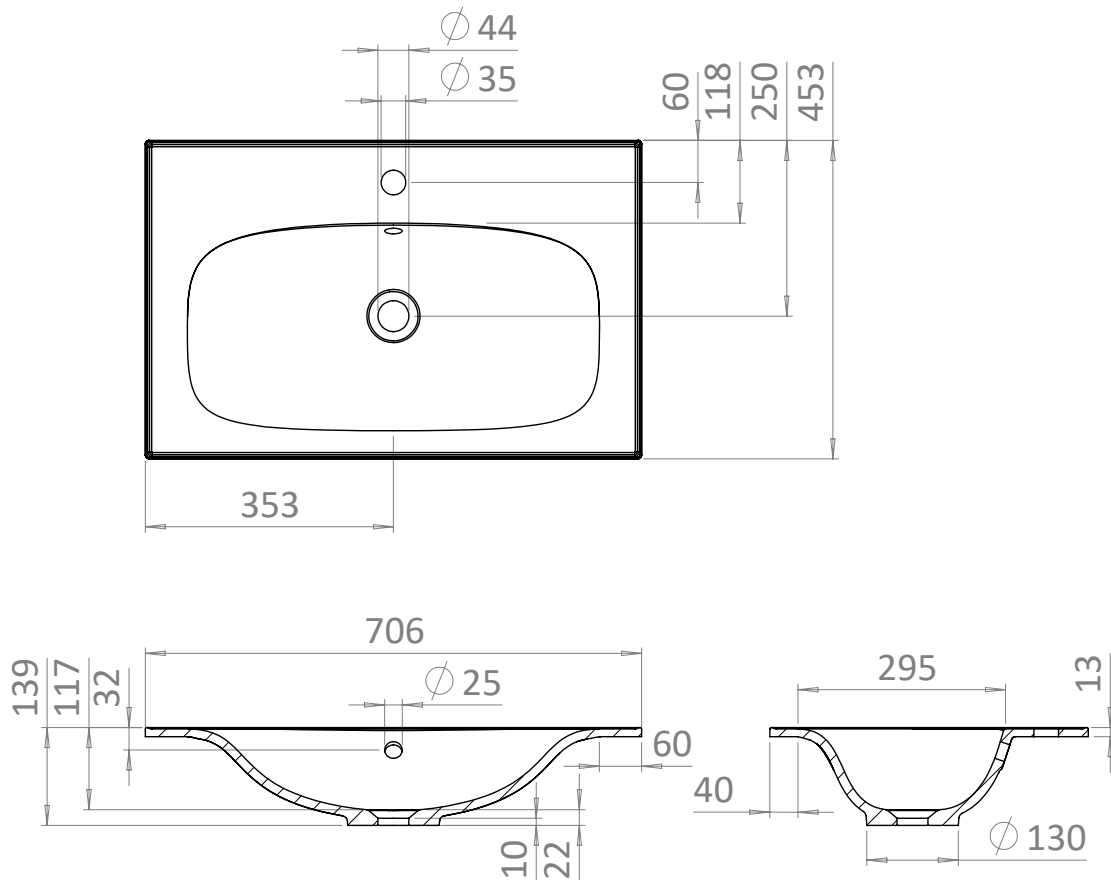
OVERFLOW Yes

WARRANTY 10 Years

TECHNICAL DIMENSIONS

Dimensions in mm unless otherwise specified.

Tolerances (per material type) apply.



V10522

PRODUCT DATA SHEET



PRODUCT CODE

GL0711SIW+

RANGE

GLIDE II

DESCRIPTION

700mm Basin 1TH Ice White

COLOUR Ice White

MATERIAL Glass

STANDARDS EN 31
EN 14688 - CLO

INSTALLATION TYPE Furniture Mounted

CAPACITY OF WATER AT OVERFLOW LEVEL 15 L

BASIN WASTE SIZE 45mm

TAP HOLES 1TH

OVERFLOW Yes

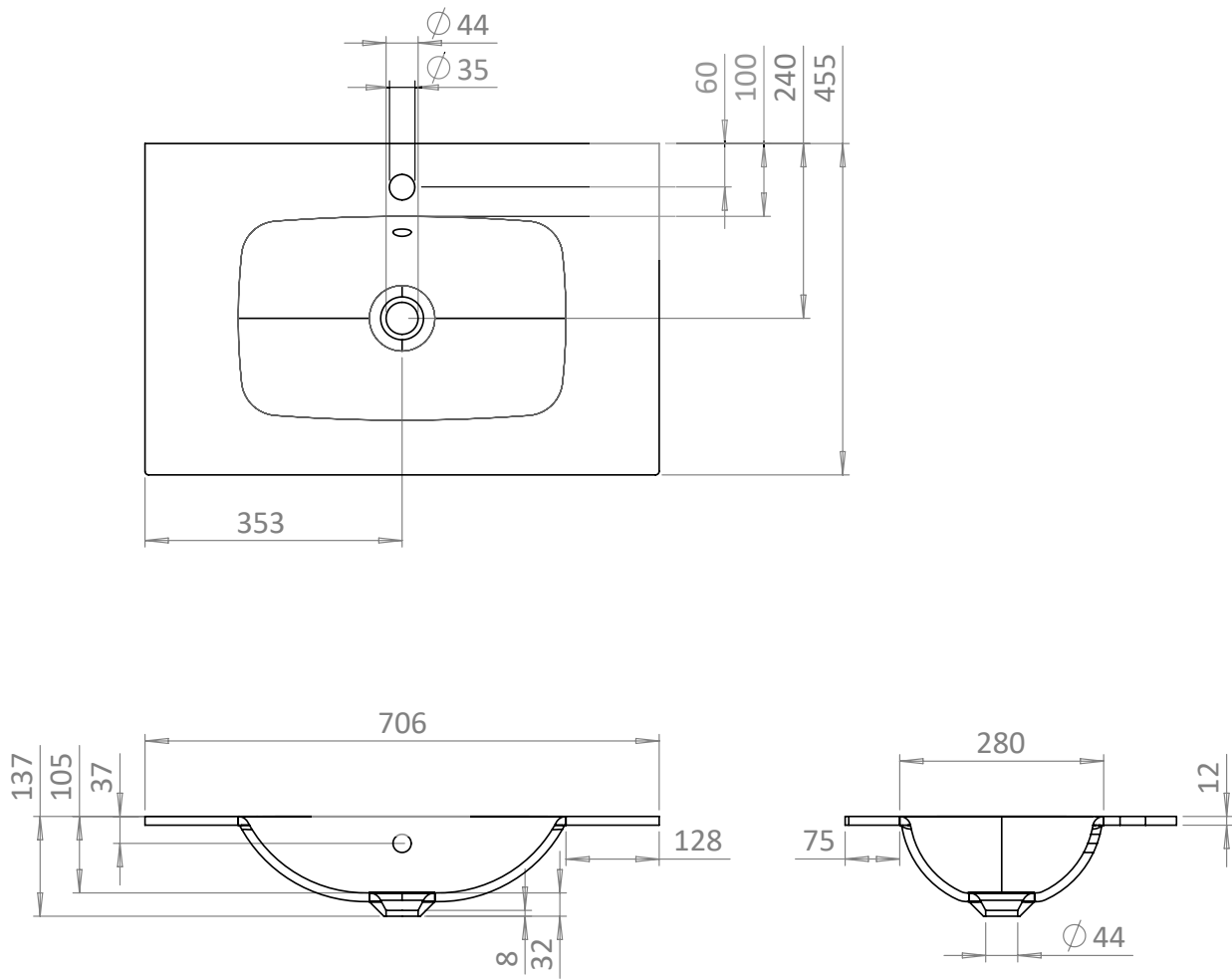
WEIGHT 10kg

WARRANTY 10 Years

TECHNICAL DIMENSIONS

Dimensions in mm unless otherwise specified.

Tolerances (per material type) apply.



V10922