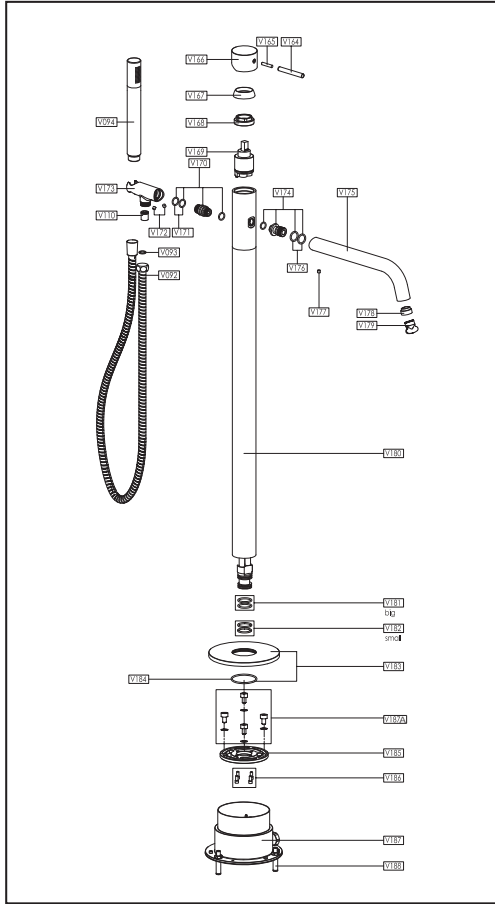
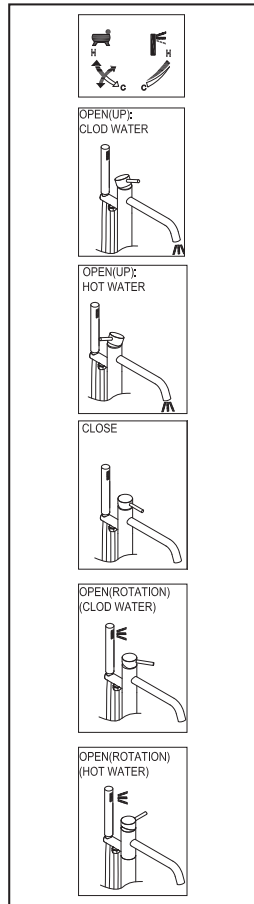


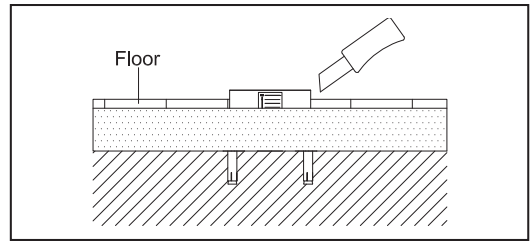
Exposed drawing



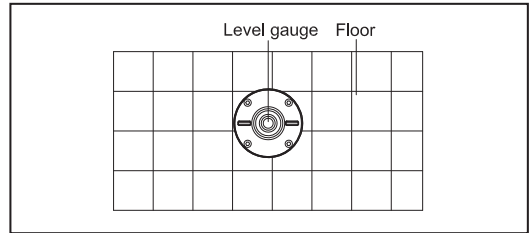
Instruction



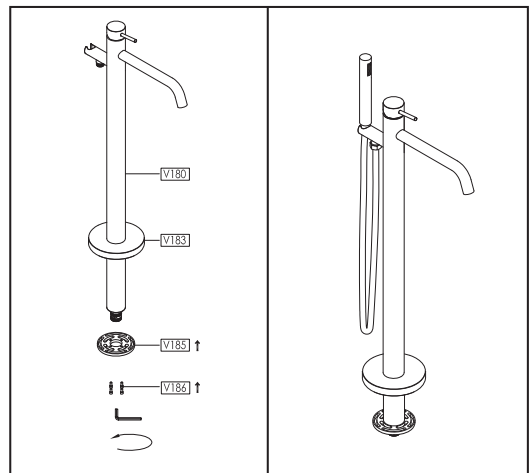
Installation steps



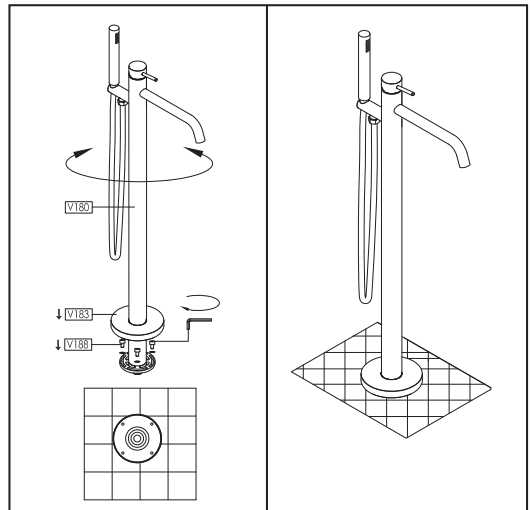
4. Pave the wood or ground tile and cut the exceeded part of the plastic box



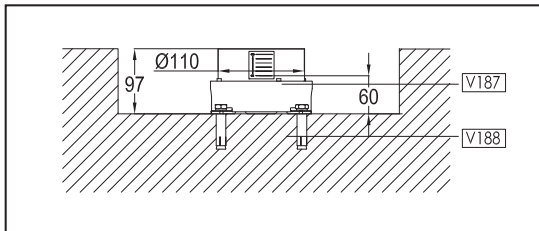
5. The effect drawing after the wood or ground tile paved



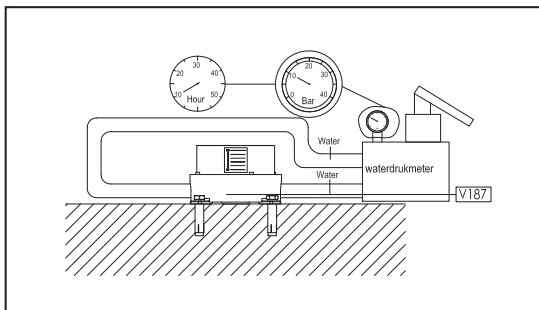
6. Put the covers V183 onto the pole V180 and mount the fixing round plate V185 onto the end of pole V180.



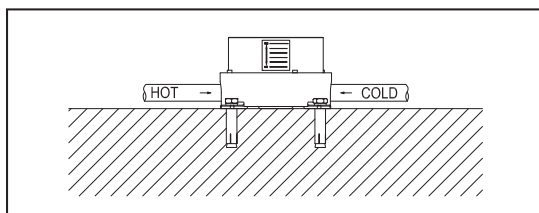
7. Take away the protective cover from the base union V187 and mount the poles V180 onto the base plate, locking with the nuts V184. Then slide down the cover V183 onto the floor.



1. Mount the base union V187 onto the cement ground with V188 and keep it horizontal.



2. Make pressure test for the base union V187 by 10 hours in 10 bar to assure there is no any leakage before the next step.



3. Connect the water inlets with the feeding pipes.