

PRODUCT DATA SHEET



PRODUCT CODE

MOD1701R

RANGE

Module

DESCRIPTION

Module 2 Outlet Valve With Outlet For Bath Spout Or Handshower

MATERIAL	Brass
INSTALLATION TYPE	Wall Mounted
STANDARDS	EN 1111:2017
HEADWORK	Thermo Cartridge Flow Controls
INLET CONNECTIONS THREAD	G3/4"
OUTLET CONNECTIONS THREAD	G3/4"
WEIGHT	4kg
WARRANTY	15 Years (5 Years Cartridge)

MIN. PRESSURE 1 Bar

MAX. PRESSURE 5 Bar

PROMOD1601TRIMx - 2 OUTLET

PRESSURE (BAR)	FLOWRATE			
	EXIT 1	EXIT 2	EXIT 1+2	
MID	0.5	9.2	4.2	9.3
	1	13	6	13.4
	2	18.7	8.5	19
HIGH	3	23	10.7	23.5
	4	26.5	12.3	27
	5	29.5	13.8	30.3

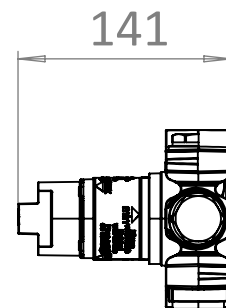
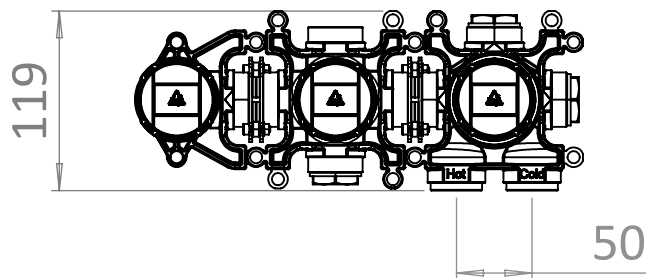
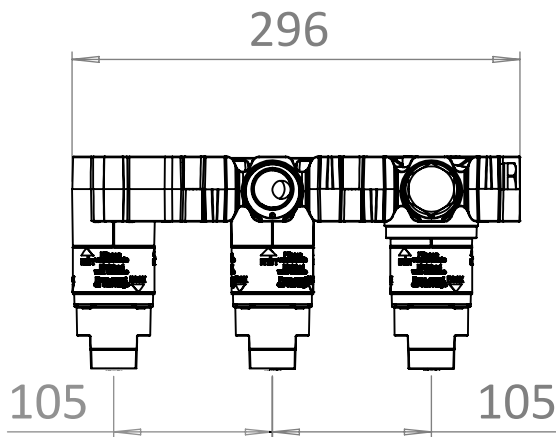
PROMOD1701TRIMx - 2 OUTLET

PRESSURE (BAR)	FLOWRATE			
	EXIT 1	EXIT 2	EXIT 3	
MID	0.5	10	4.1	9.7
	1	13.7	6	13.4
	2	19.5	8.5	19
HIGH	3	23.8	10.6	23.3
	4	27.5	12.3	26.8
	5	30.5	13.8	29.8

TECHNICAL DIMENSIONS

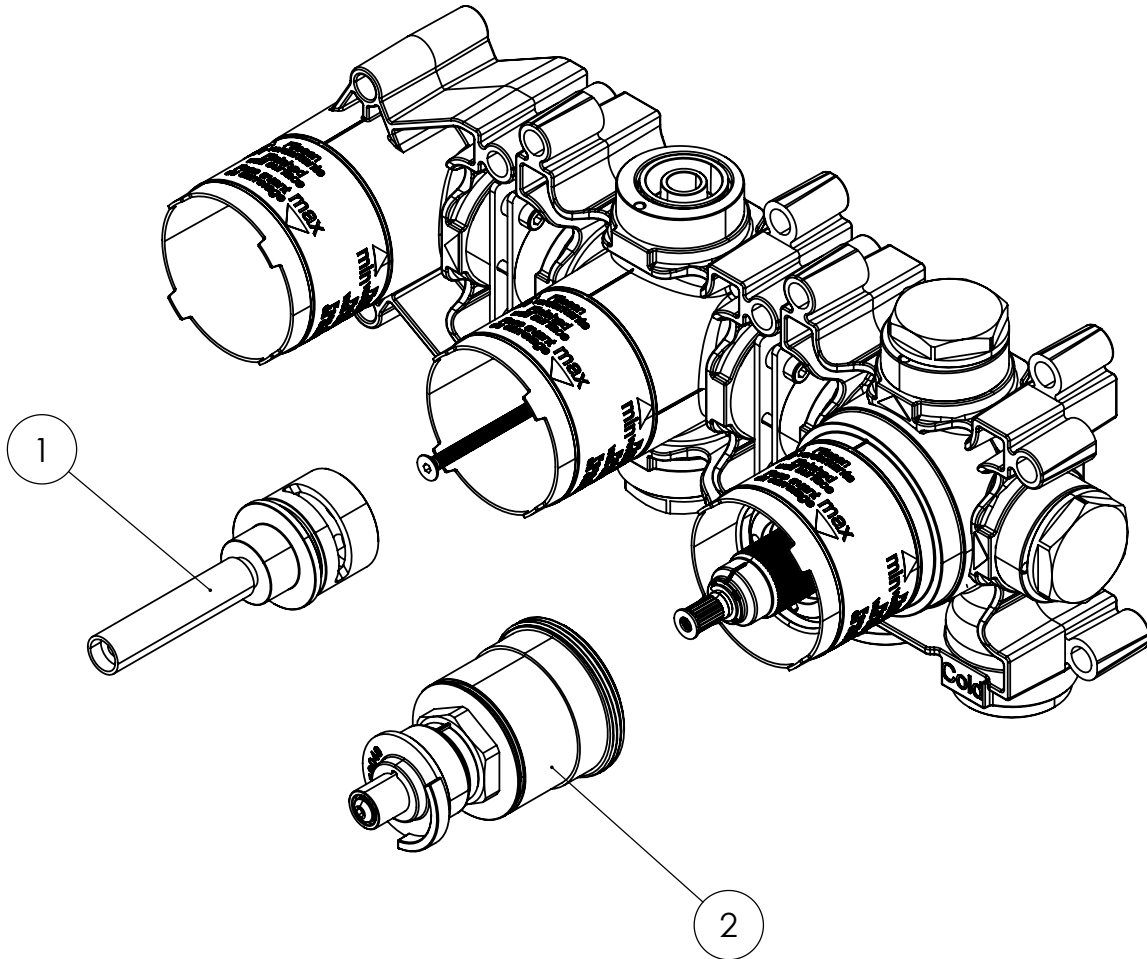
Dimensions in mm unless otherwise specified.

Tolerances (per material type) apply.



V10622

SPARES DIAGRAM



NUMBER	PART CODE	DESCRIPTION
1	E250005.000HESC	Module 2 Way Diverter Cartridge
2	E250031.000HESC	Module Thermo Cartridge

Only the parts labelled are available as spares.

V10822