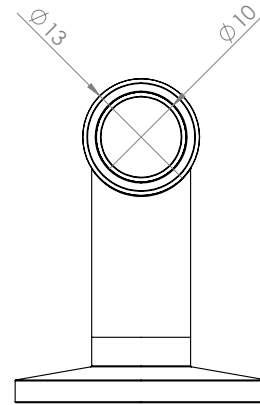
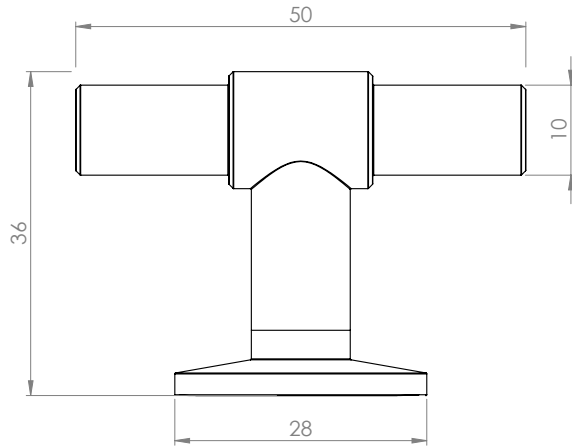


# Technical Data Sheet

ROPER RHODES®

## Toledo T-Bar Handle

What's in the box: 1x FHTOLHAN.X + fixings



Diagrams not to scale  
All dimensions in mm  
Tolerance of +/-5mm

### Materials

Carcass: Plated aluminium

- Dimensions are subject to change, customers are advised to measure actual product before commencing installation.

### FAQs

Q: Are the handles fitted?

A: No, holes need drilling. Please refer to the instructions for guidance on handle positioning.

Q: Why do the brass handles change their appearance over time?

A: Our brass Toledo handles are an untreated brass.

They are a living finish that will develop a patina over time, giving the handles a unique visual appeal. To return back to initial state we recommend removing the handles from the furniture and polishing with 'brasso' or similar off the shelf polish.