

# PRODUCT DATA SHEET

*Burlington*<sup>®</sup>



## PRODUCT CODE

GU8500DCG\_FS

## RANGE

Guild

## DESCRIPTION

Guild Floor Standing Vanity 850mm  
Carlyle Green c/w handles

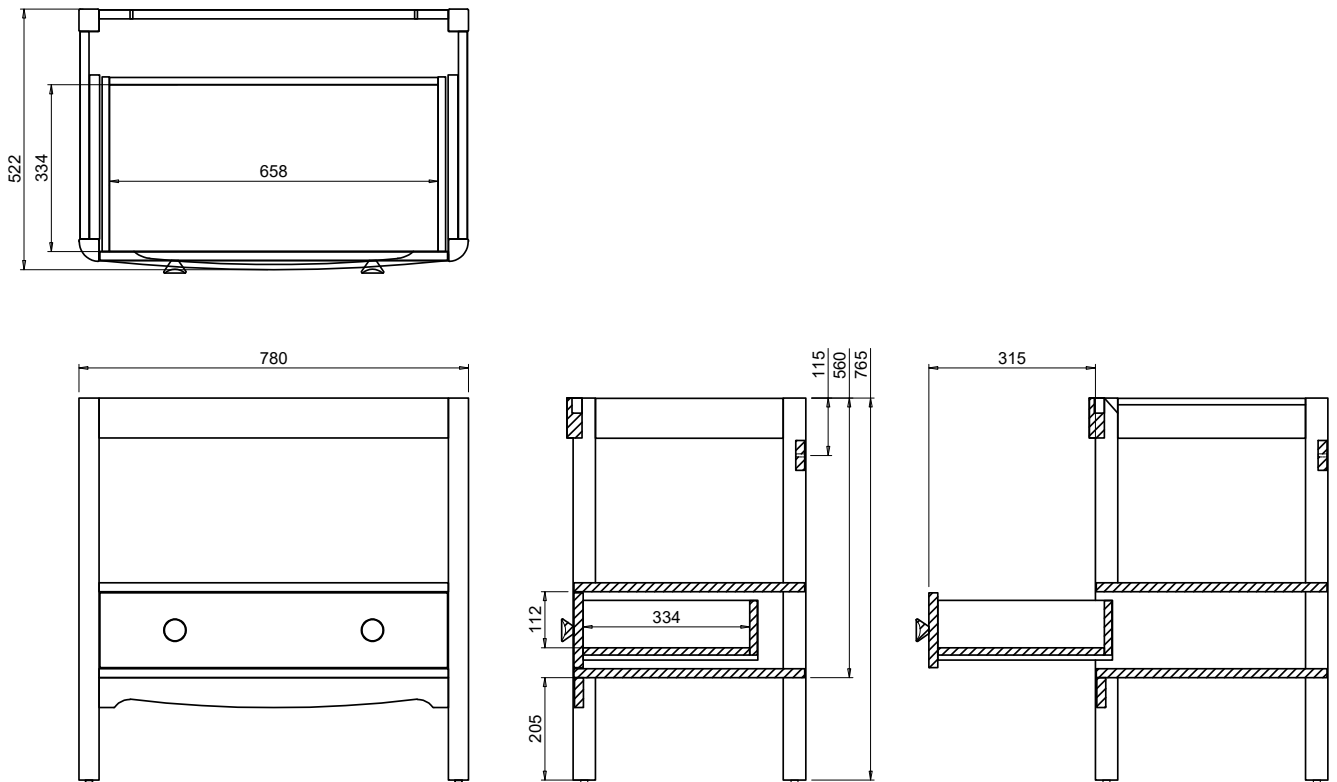
CATEGORY	Furniture
WARRANTY DETAILS	10 Years
COLOUR	Carlyle Green
FINISH APPLICATION	Lacquered
PRIMARY MATERIAL	MDF
INSTALL TYPE	Floor Standing
PRODUCT WIDTH MM	780
PRODUCT HEIGHT MM	770
PRODUCT DEPTH MM	522
PRODUCT NET WEIGHT KG	31.5
STANDARDS	EN14749:2016

COLOUR CODE / REFERENCE	NCS S6020-G70Y
DRAWER BOX	MDF
DRAWER RUNNERS	DTC / SS10C350H1
DRAWER EXTENSION	Full extension
DRAWER ADJUSTMENT	2 way adjustment
WALL HANGERS	No
ADJUSTABLE FEET	Yes
DRAWER CAPACITY	15 kgs
DRAWER OPERATION	Soft close

## TECHNICAL DIMENSIONS

Dimensions in mm unless otherwise specified.

Tolerances (per material type) apply.



## SPARES LIST

Only the parts labelled are available as spares.

SPARES AVAILABLE UPON REQUEST

# PRODUCT DATA SHEET

*Burlington*<sup>®</sup>



## PRODUCT CODE

GU850TMC

## RANGE

Guild

## DESCRIPTION

Guild Vanity Top 850 with Upstand  
Cararra

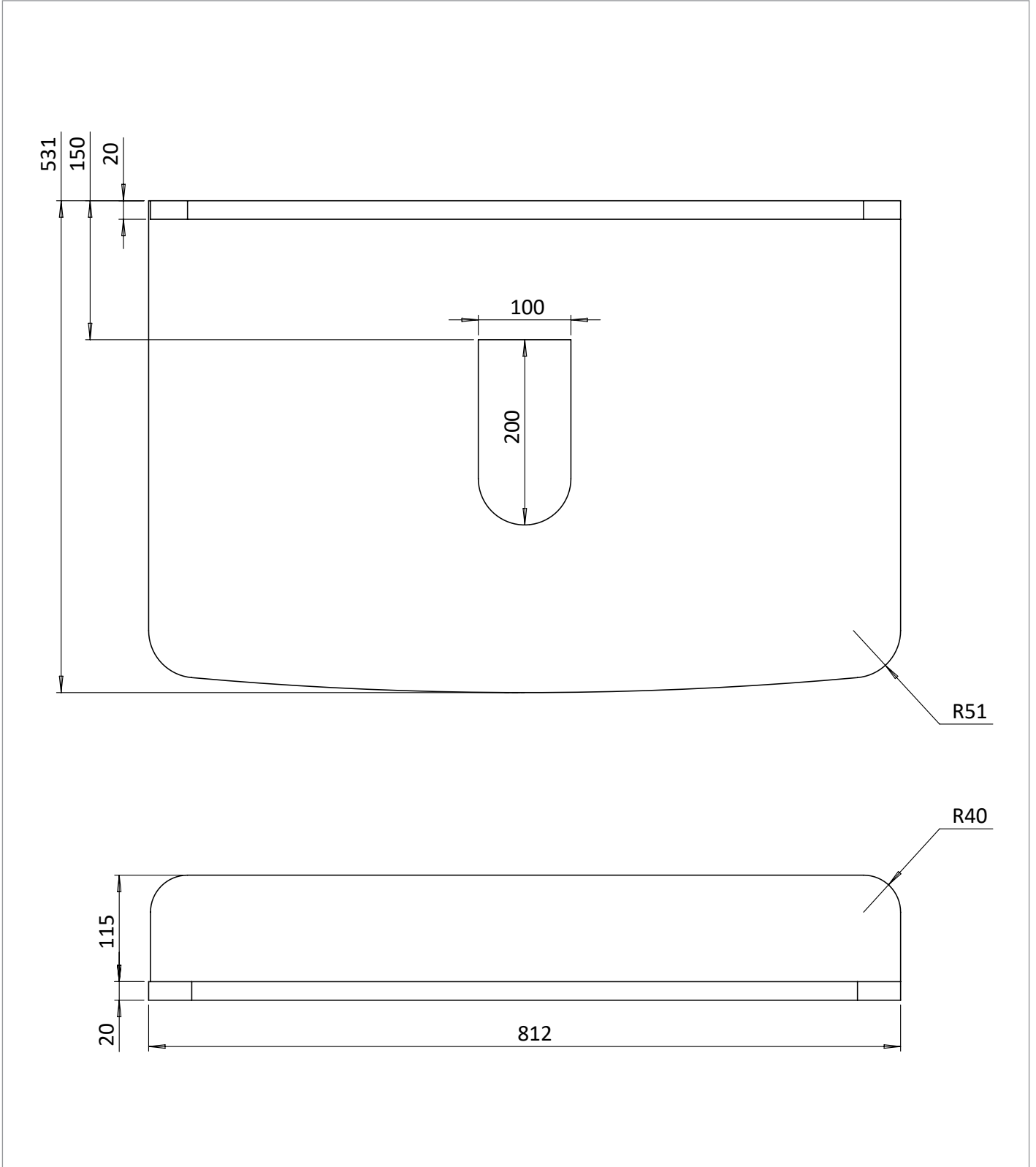
CATEGORY	Furniture
WARRANTY DETAILS	10 Years
COLOUR	Cararra
PRIMARY MATERIAL	Solid Surface
SECONDARY MATERIAL	Solid Surface
INSTALL TYPE	Furniture Mounted
PRODUCT WIDTH MM	812
PRODUCT HEIGHT MM	20
PRODUCT DEPTH MM	531
PRODUCT NET WEIGHT KG	27
STANDARDS	BS EN 14749:2016+A1:2022

DRAWER BOX	No
WALL HANGERS	No
ADJUSTABLE FEET	No

## TECHNICAL DIMENSIONS

Dimensions in mm unless otherwise specified.

Tolerances (per material type) apply.



**SPARES LIST**

Only the parts labelled are available as spares.

SPARES AVAILABLE UPON REQUEST