

PRODUCT DATA SHEET

Burlington[®]



PRODUCT CODE

GU8500DDOK_FS

RANGE

Guild

DESCRIPTION

Guild Floor Standing Vanity 850mm
Dark Oak

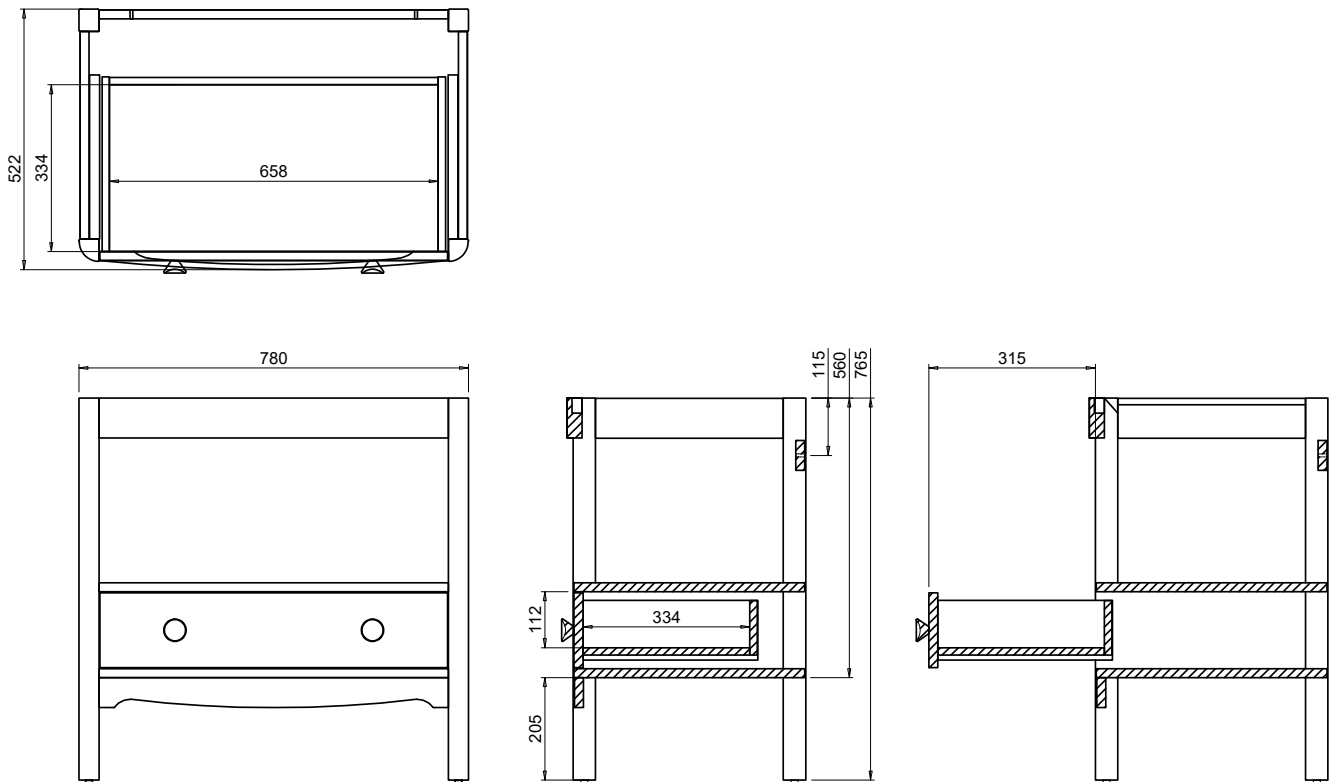
CATEGORY	Furniture
WARRANTY DETAILS	10 Years
COLOUR	Dark Oak
FINISH APPLICATION	Veneer
PRIMARY MATERIAL	MDF
SECONDARY MATERIAL	Wood
INSTALL TYPE	Floor Standing
PRODUCT WIDTH MM	780
PRODUCT HEIGHT MM	770
PRODUCT DEPTH MM	522
PRODUCT NET WEIGHT KG	58
STANDARDS	BS EN 14749:2016+A1:2022

COLOUR CODE / REFERENCE	NATURAL ASH TINTED
DRAWER BOX	Yes
DRAWER RUNNERS	EMUCA - 3120305
DRAWER EXTENSION	Full Extension
DRAWER ADJUSTMENT	2 way adjustment
WALL HANGERS	Yes
ADJUSTABLE FEET	Yes
DRAWER CAPACITY	15
DRAWER OPERATION	Soft Close

TECHNICAL DIMENSIONS

Dimensions in mm unless otherwise specified.

Tolerances (per material type) apply.



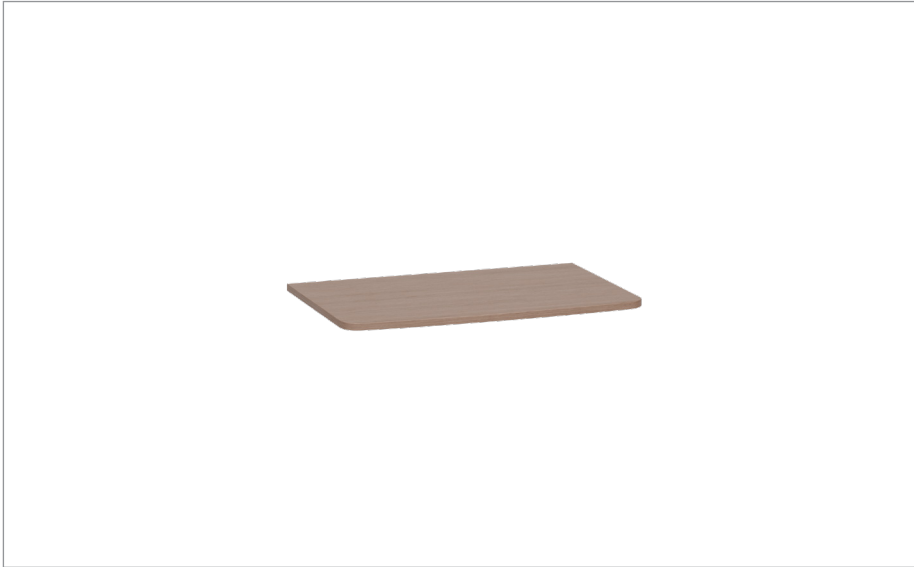
SPARES LIST

Only the parts labelled are available as spares.

SPARES AVAILABLE UPON REQUEST

PRODUCT DATA SHEET

Burlington[®]



PRODUCT CODE

GU850TDOK

RANGE

Guild

DESCRIPTION

Guild Vanity Top 850 Undrilled Dark Oak

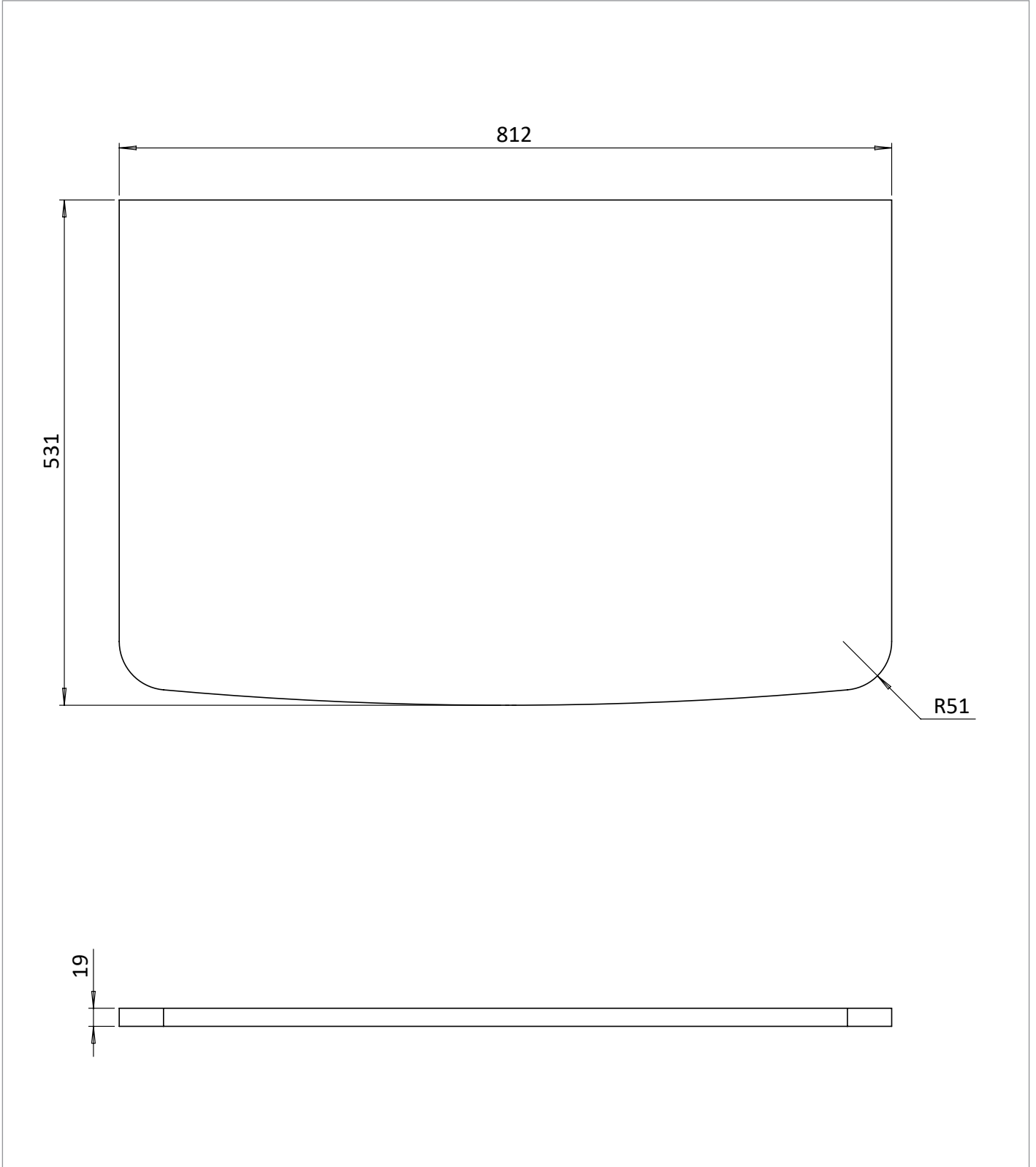
CATEGORY	Furniture
WARRANTY DETAILS	10 Years
COLOUR	Dark Oak
FINISH APPLICATION	Veneer
PRIMARY MATERIAL	MDF
SECONDARY MATERIAL	Wood
INSTALL TYPE	Furniture Mounted
PRODUCT WIDTH MM	812
PRODUCT HEIGHT MM	20
PRODUCT DEPTH MM	531
PRODUCT NET WEIGHT KG	7
STANDARDS	BS EN 14749:2016+A1:2022

COLOUR CODE / REFERENCE	NATURAL ASH TINTED
DRAWER BOX	No
WALL HANGERS	No
ADJUSTABLE FEET	No

TECHNICAL DIMENSIONS

Dimensions in mm unless otherwise specified.

Tolerances (per material type) apply.



SPARES LIST

Only the parts labelled are available as spares.

SPARES AVAILABLE UPON REQUEST