

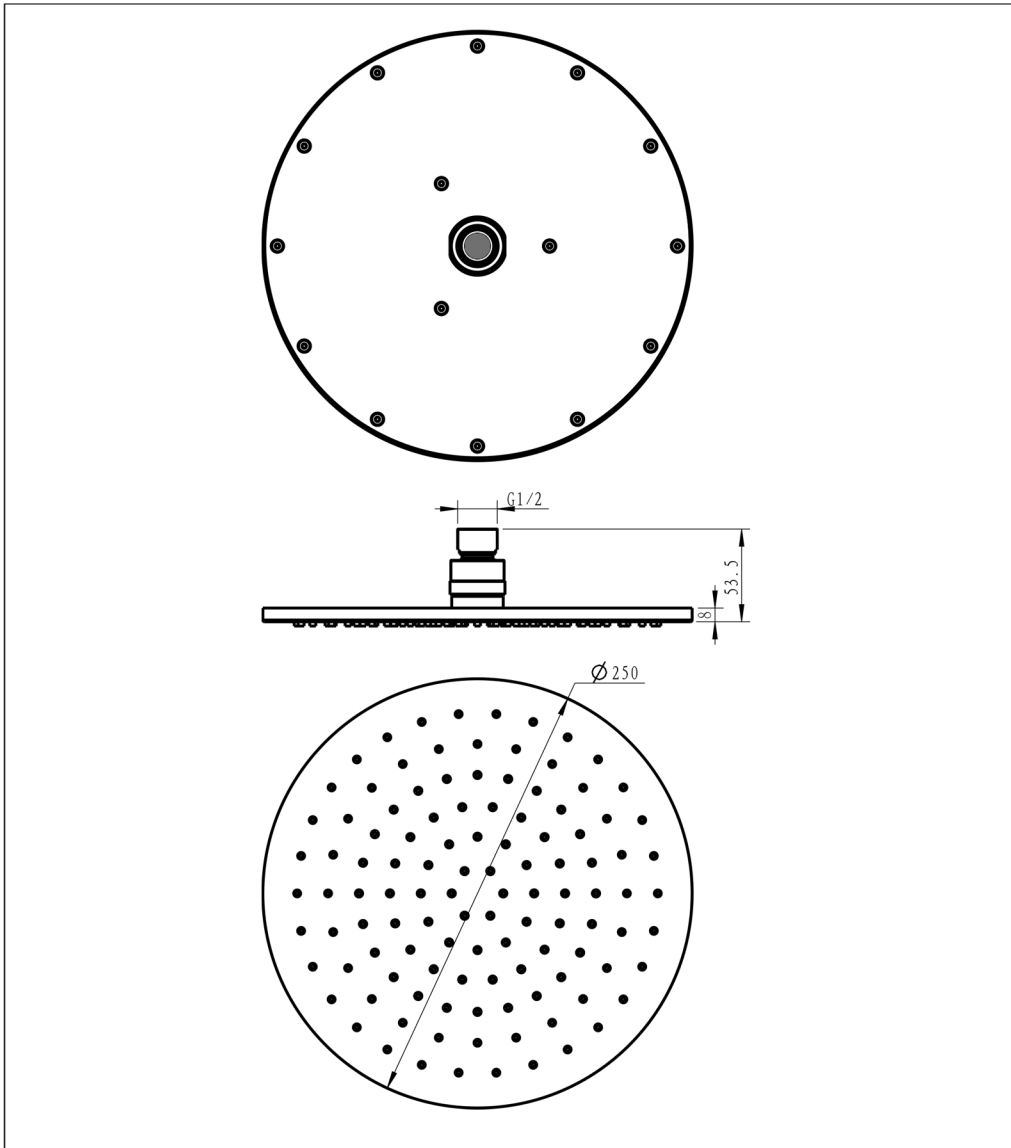


Technical Data Sheet

Product range: VOS

Product code: 28250MB

Finishes Available: Matt Black



Min Pressure:
MP 0.5

Approvals:
WRAS

Connections:
G 1/2"

Warranty:
15 Years

Flow Rate

1Bar: 11L/min

2Bar: 17.5L/min

3Bar: 26.7L/min