

PRODUCT DATA SHEET

Burlington[®]



PRODUCT CODE

GU6105AG

RANGE

Guild

DESCRIPTION

Guild Soft Close Toilet Seat Ashbee Grey

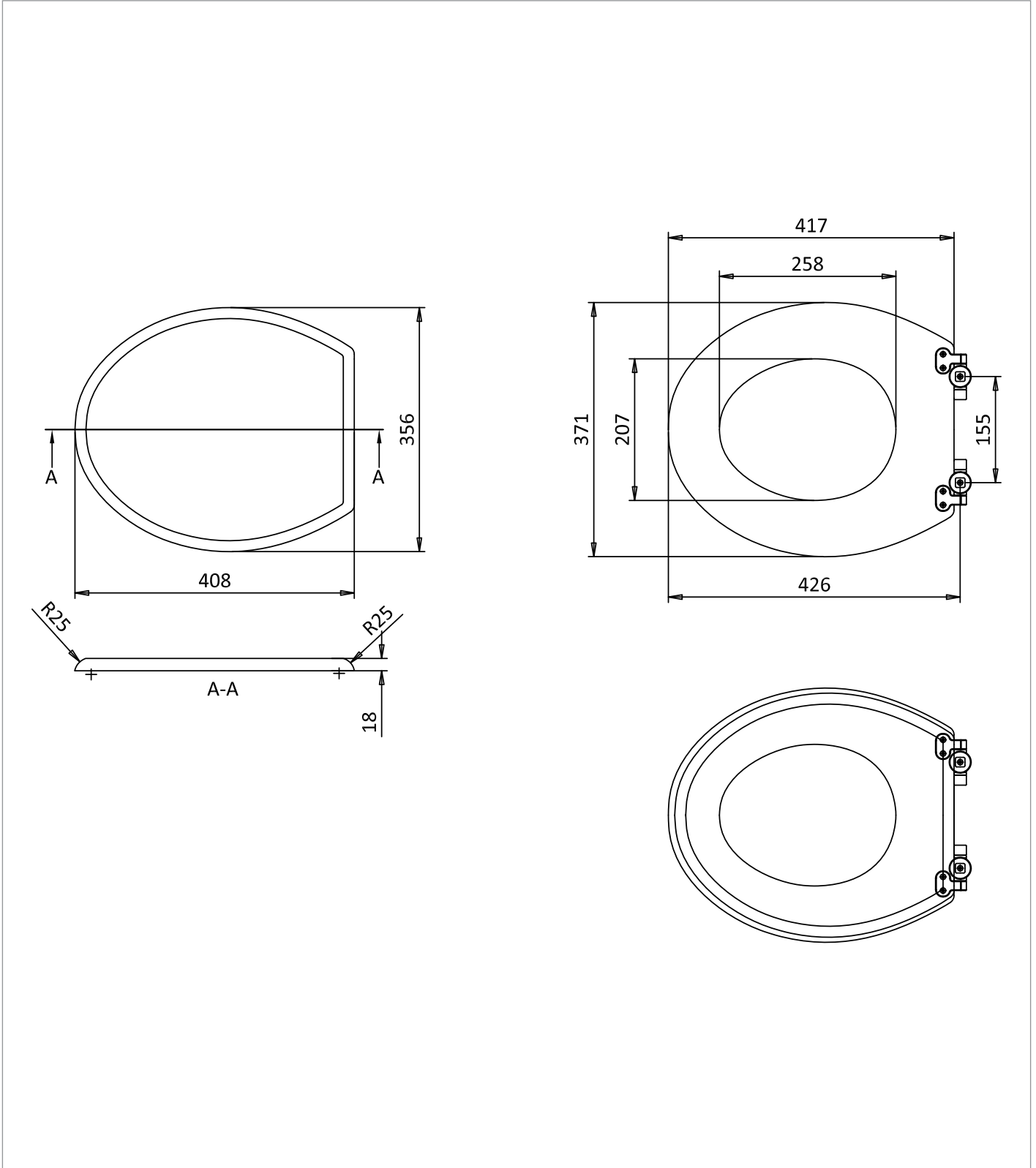
CATEGORY	Sanitaryware
WARRANTY DETAILS	2 Years
COLOUR	Ashbee Grey
FINISH APPLICATION	Lacquered
PRIMARY MATERIAL	MDF
PRODUCT WIDTH MM	432
PRODUCT HEIGHT MM	67
PRODUCT DEPTH MM	371
PRODUCT NET WEIGHT KG	3.33

FIXINGS INCLUDED	Yes
FIXING TYPE	Top fixing

TECHNICAL DIMENSIONS

Dimensions in mm unless otherwise specified.

Tolerances (per material type) apply.



SPARES LIST

Only the parts labelled are available as spares.

SPARES AVAILABLE UPON REQUEST