

# PRODUCT DATA SHEET

*Burlington*<sup>®</sup>



## PRODUCT CODE

GUL002G

## RANGE

Guild

## DESCRIPTION

Guild Wall Light & Clear Glass Gold

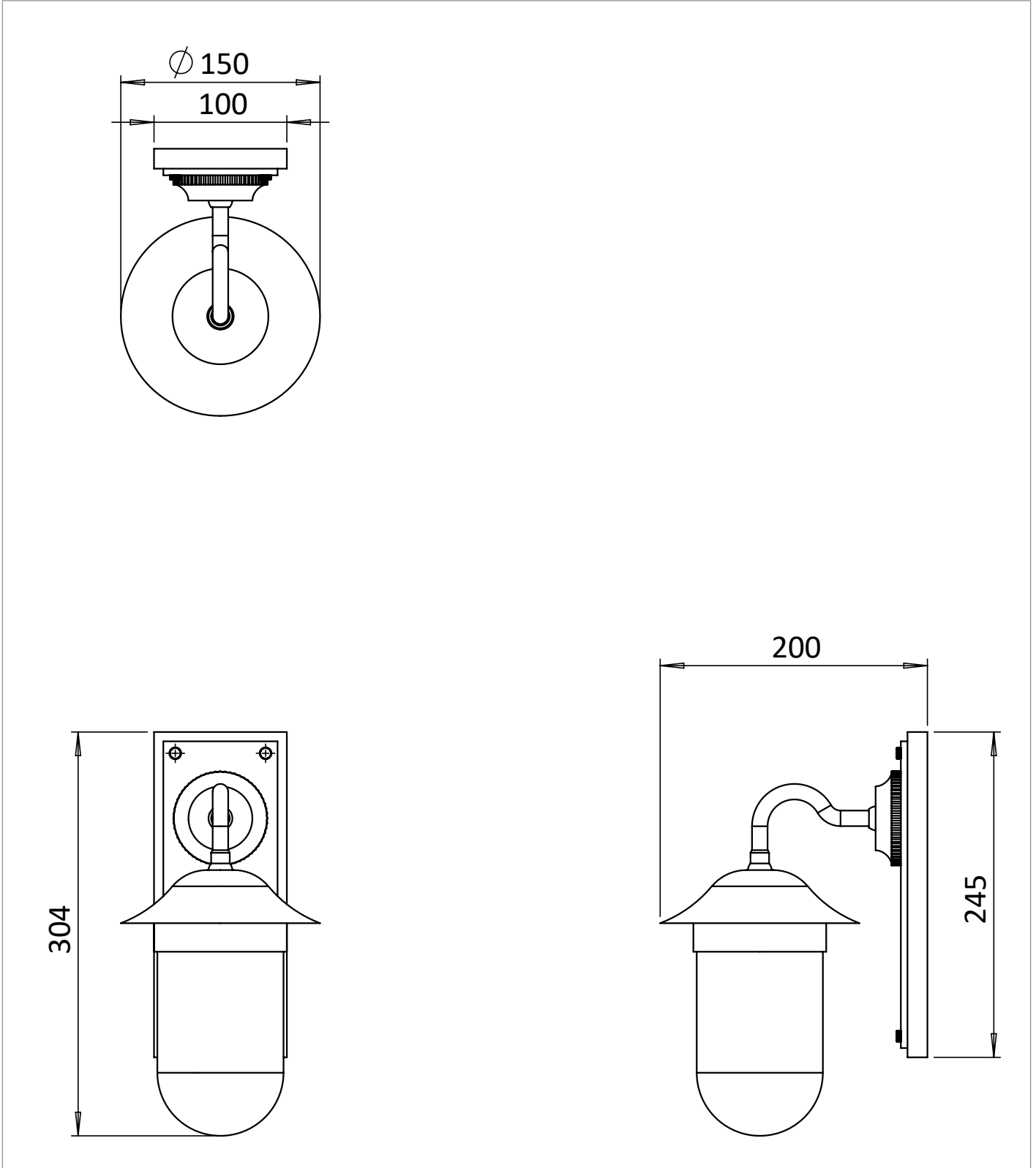
CATEGORY	Lighting
WARRANTY DETAILS	5 Years
COLOUR	Gold
FINISH APPLICATION	Electroplated
PRIMARY MATERIAL	Steel
SECONDARY MATERIAL	Glass
INSTALL TYPE	Wall Mounted
PRODUCT WIDTH MM	150
PRODUCT HEIGHT MM	304
PRODUCT DEPTH MM	200
PRODUCT NET WEIGHT KG	2.4
STANDARDS	BS EN IEC 60598-1:2021+A1:2022

IP RATING	IP44
CABLE LENGTH (MM)	203
SWITCH TYPE	Mains Wired
DIMMABLE	Yes
LIGHT TYPE	E27

## TECHNICAL DIMENSIONS

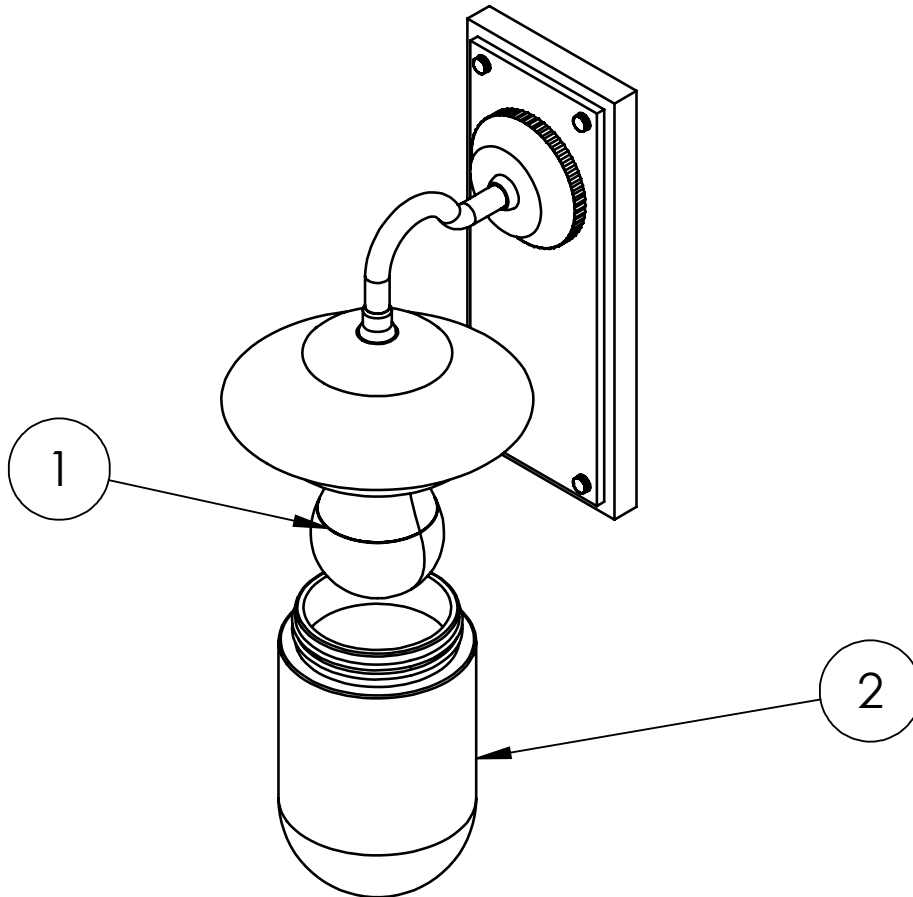
Dimensions in mm unless otherwise specified.

Tolerances (per material type) apply.



## SPARES LIST

Only the parts labelled are available as spares.



NUMBER	PART CODE	DESCRIPTION
1	BULB_GUILD	E27 LED Bulb for Guild Wall Light
2	FGLASS_GUILD	Frosted Glass Cover for GU001/2
	CGLASS_GUILD	Clear Glass Cover for GU001/2