

16

15

14

13

12

11

10

9

8

7

6

5

4

3

2

1

COMPOSITE CARLYON UNIT TOP
WITH DRILLING HOLES FOR VESSEL TOPS

1 : 1 SCALE

TOP SHOULD BE POLISHED

6mm DEEP RECESS
BOTH SIDES

UNDERSIDE ONLY

THROUGH HOLE

ONLY REQUIRED FOR 1TH
FITTINGS

488.50

150.00

30.00

30.00

175.00

100.00

55.00

253.50

662.00

R15.00

Ø 65.00

Ø 40.00

M

M

L

L

K

K

J

J

H

H

G

G

F

F

E

E

D

D

C

C

B

B

A

A

16

15

14

13

12

11

10

9

8

7

6

5

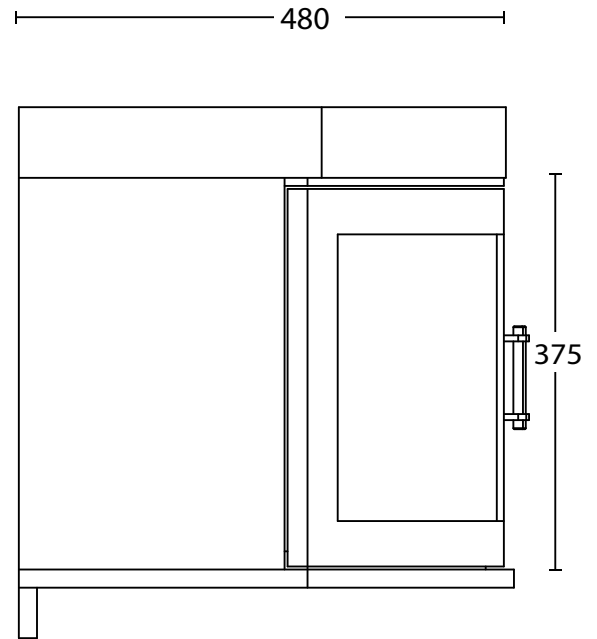
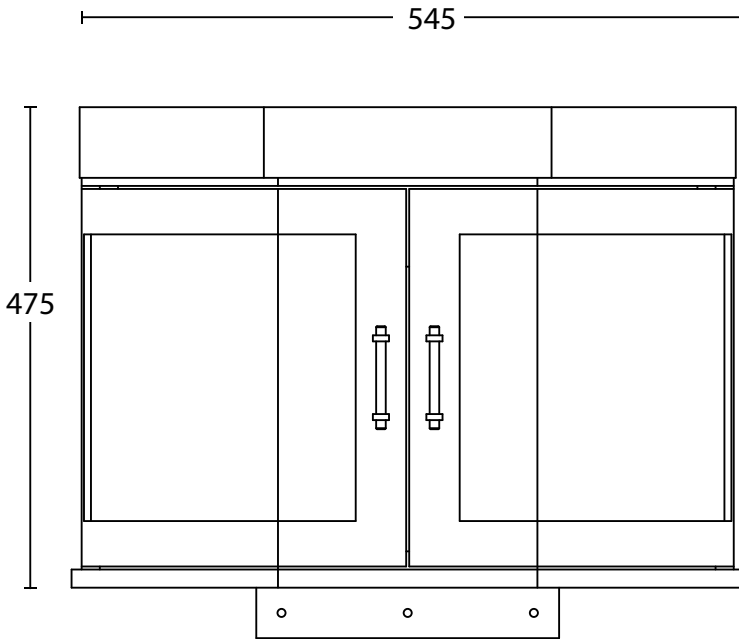
4

3

2

1

Furniture	
Furniture	Carlyon 2 Door Unit



We recommend that all products are purchased with the assistance of a specialist bathroom retailer and always installed by an experienced installer who is a member of a recognised association. All sizes quoted are nominal : items may vary by +/- 2% against the figures quoted. When planning installations where dimensions are critical, it is essential that the space allowed for the individual items is physically checked. IBC Products LTD cannot be held liable for any costs associated with items not fitting in any given area. The contents of this statement are based on information correct at the time of publication. We reserve the right to make alterations in product characteristic, fixing, packagene, operation etc. at any time without notice.

For further information on fitting guidelines, Terms and Conditions and Warranty details please refer to the Design guide or contact Imperial's Customer Service Team on 08706061623 or sales@imperial-bathrooms.co.uk