

PRODUCT DATA SHEET

Burlington[®]



PRODUCT CODE

GU002FL

RANGE

Guild


DESCRIPTION

Guild Bath Stand Pipes Brushed Nickel

CATEGORY	Brassware
WARRANTY DETAILS	15 Years
COLOUR	Brushed Nickel
FINISH APPLICATION	PVD
PRIMARY MATERIAL	Brass
INSTALL TYPE	Floor Standing
PRODUCT WIDTH MM	100
PRODUCT HEIGHT MM	650
PRODUCT NET WEIGHT KG	3.46
STANDARDS	EN200,EN817

INLET CONNECTIONS THREAD	G3/4"
OUTLET CONNECTIONS THREAD	G3/4"

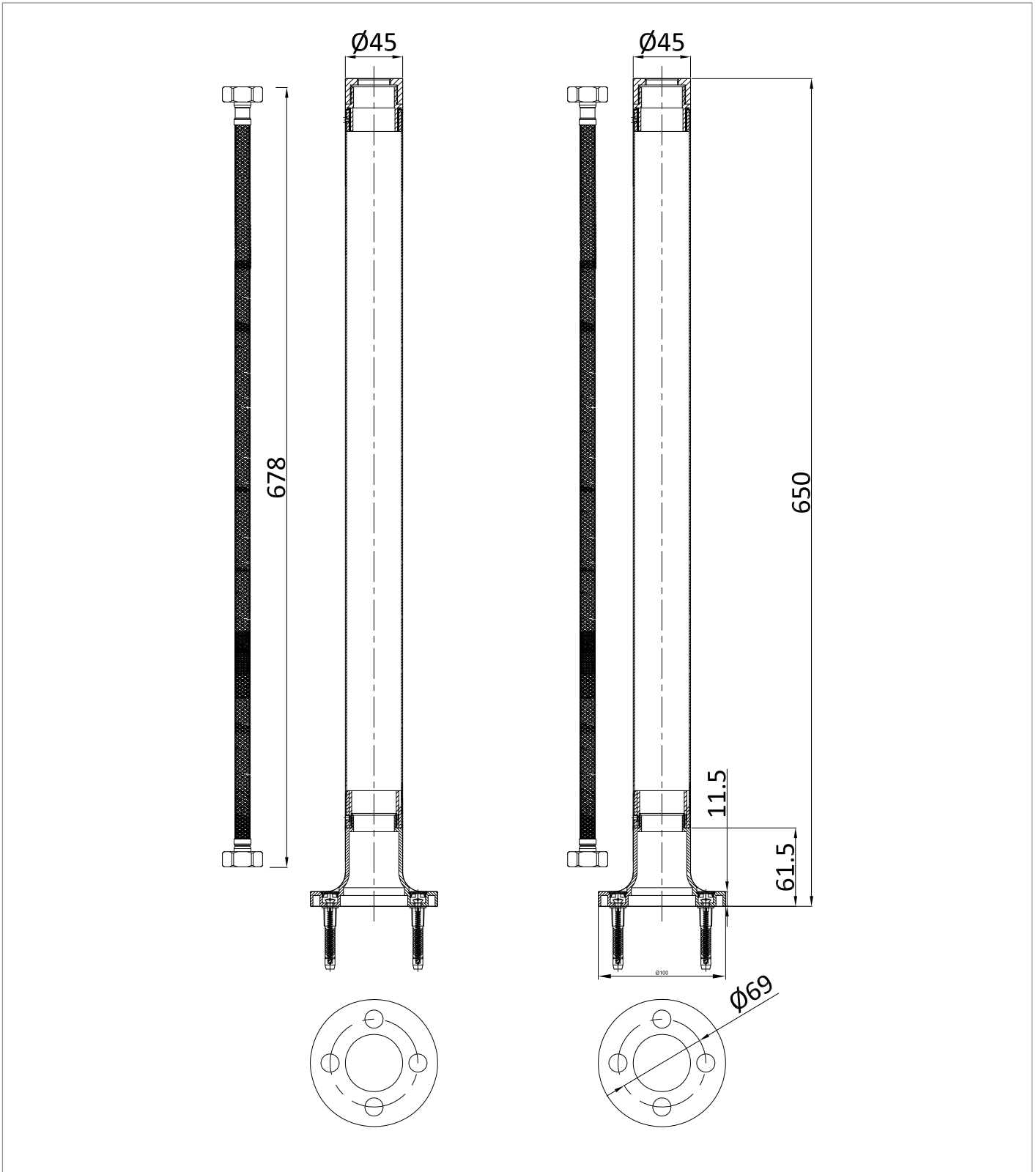
PRESSURE (BAR)	0.2	0.5	1	2	3	4	5
PRIMARY FLOWRATE							
HANDSET FLOWRATE							
MASSAGE FLOW RATE							
AIR FLOW RATE							
WIRE FLOW RATE							
WATERFALL FLOW RATE							
MIST FLOW RATE							
HANDSPRAY FLOW RATE							

 Part of the Bathroom Brands Group

TECHNICAL DIMENSIONS

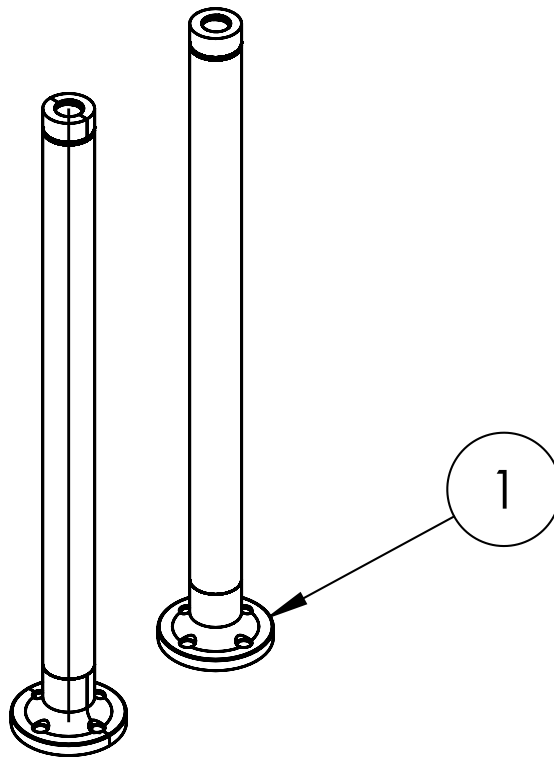
Dimensions in mm unless otherwise specified.

Tolerances (per material type) apply.



SPARES LIST

Only the parts labelled are available as spares.



NUMBER	PART CODE	DESCRIPTION
1	SP1641BNKL	Guild Cap in Brushed nickel for W7 BNKL, GU002FL 4 units
	SP1641	Cap in Gold finish for W7 GOLD
2	SP1873	Guild Pair of flexible hoses 678mm length for GU002