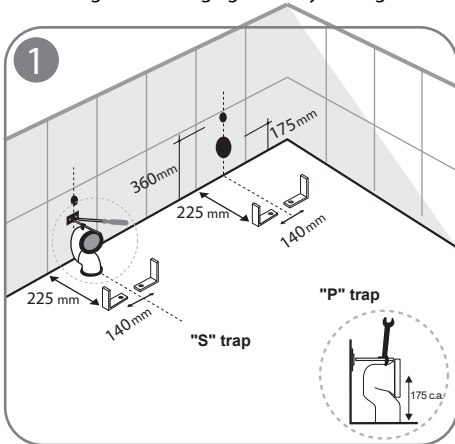


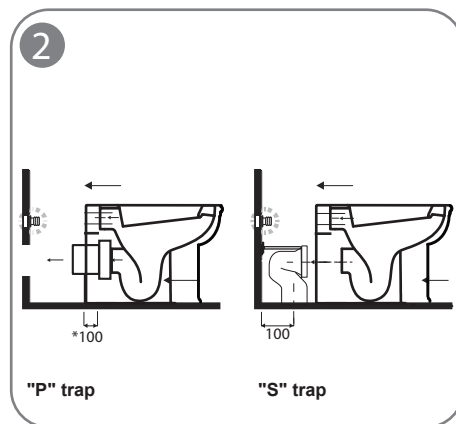
Toilets

Regent BTW Pan

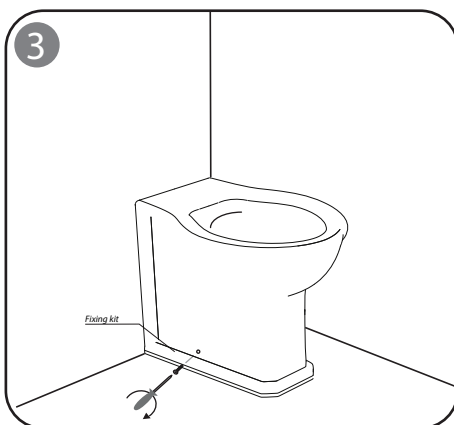
- Please read these instructions carefully before starting installation.
- Check the product for missing parts and damages.
- In the unlikely event of product failure, please refer to supplier concerning product guarantee.
- We strongly recommend the use of a qualified plumber .
- In new buildings it is recommended to fill the traps with water to ensure toxic gases do not corrode the surface of the taps and seat fittings
- Fix all the outlet and inlet valves before installation.
- Periodic cleaning and maintenance should be used to avoid formation of damaging lime scale deposits.
- Astringent cleaning agents may damage some materials, such as seat hinges and plastic components



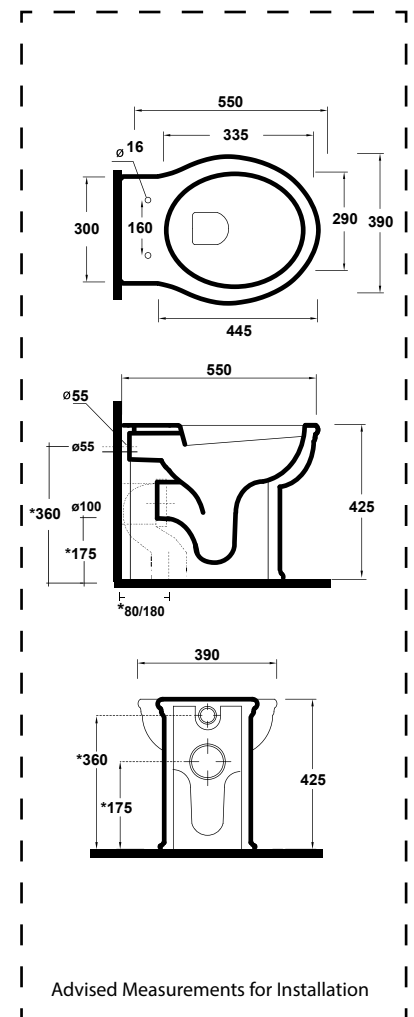
1 - Prepare the drainage and fixing screws according to the given measurements depending on your trap type



2 - Prepare the connection for the cistern waste. Assemble the drainage connection on the WC, then place the WC on the fixing brackets and push against the wall



3 - Align the WC and secure it with the fixing nuts provided. We recommend tightening the nuts alternately to secure an equal fit against the wall



Advised Measurements for Installation

We recommend that all products are purchased with the assistance of a specialist bathroom retailer and always installed by an experienced installer who is a member of a recognised association. All sizes quoted are nominal : items may vary by +/- 2% against the figures quoted. When planning installations where dimensions are critical, it is essential that the space allowed for the individual items is physically checked. IBC Products LTD cannot be held liable for any costs associated with items not fitting in any given area. The contents of this statement are based on information correct at the time of publication. We reserve the right to make alterations in product characteristic, fixing, packaging, operation etc. at any time without notice.

For further information on fitting guidelines, Terms and Conditions and Warranty details please refer to the Design guide or contact Imperial's Customer Service Team on 08706061623 or sales@imperial-bathrooms.co.uk