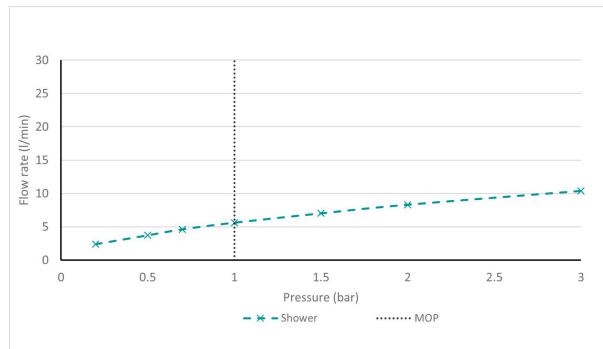


# SPECIFICATION SHEET

COLLECTION: CAMEO  
PRODUCT CODE: CAM-MFSRK-CP



## SHOWER TYPE

Slide Rail Shower Kit

## SELF-CLEANING

No

## SLIDE RAIL LENGTH

600mm

## WITH CROSS-SPRAY TECHNOLOGY

No

## ADJUSTABLE FIXING FOR EASY RETRO FIT

No

## WITH TWIST CONTROL

Yes

## WITH PUSH BUTTON CONTROL

Yes

## WITH HOSE RETAINER

No

## RUB-CLEAN NOZZLES

Yes

tel: 01934 744466  
email: sales@vado.com  
www.vado.com

WHERE INSPIRATION FLOWS  
TAPS | SHOWERS | ACCESSORIES



# SPECIFICATION SHEET

COLLECTION: CAMEO  
PRODUCT CODE: CAM-MFSRK-CP

## FUNCTIONS

4 Function

## WITH AIR-INJECTION TECHNOLOGY

No

## HOSE

150cm

## STYLE

Square

## MOUNTING

Wall Mounted

## PLUMBING SYSTEM SUITABILITY

Gravity System

## COLLECTION NAME

Cameo

## FINISH

Chrome

## MINIMUM OPERATING PRESSURE

0.2 Bar LP

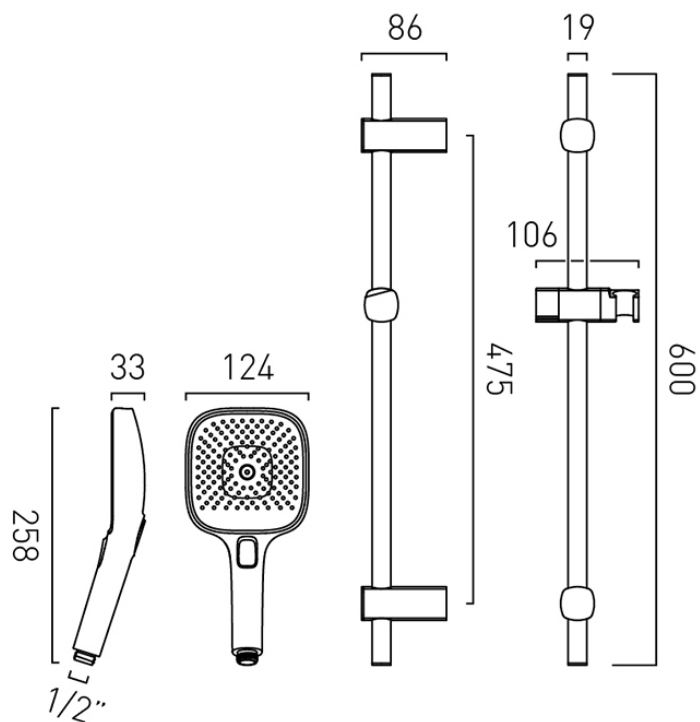
## GUARANTEE

15 Year Guarantee



# TECHNICAL DRAWING

COLLECTION: CAMEO  
PRODUCT CODE: CAM-MFSRK-CP



tel: 01934 744466  
email: sales@vado.com  
www.vado.com

WHERE INSPIRATION FLOWS  
TAPS | SHOWERS | ACCESSORIES

