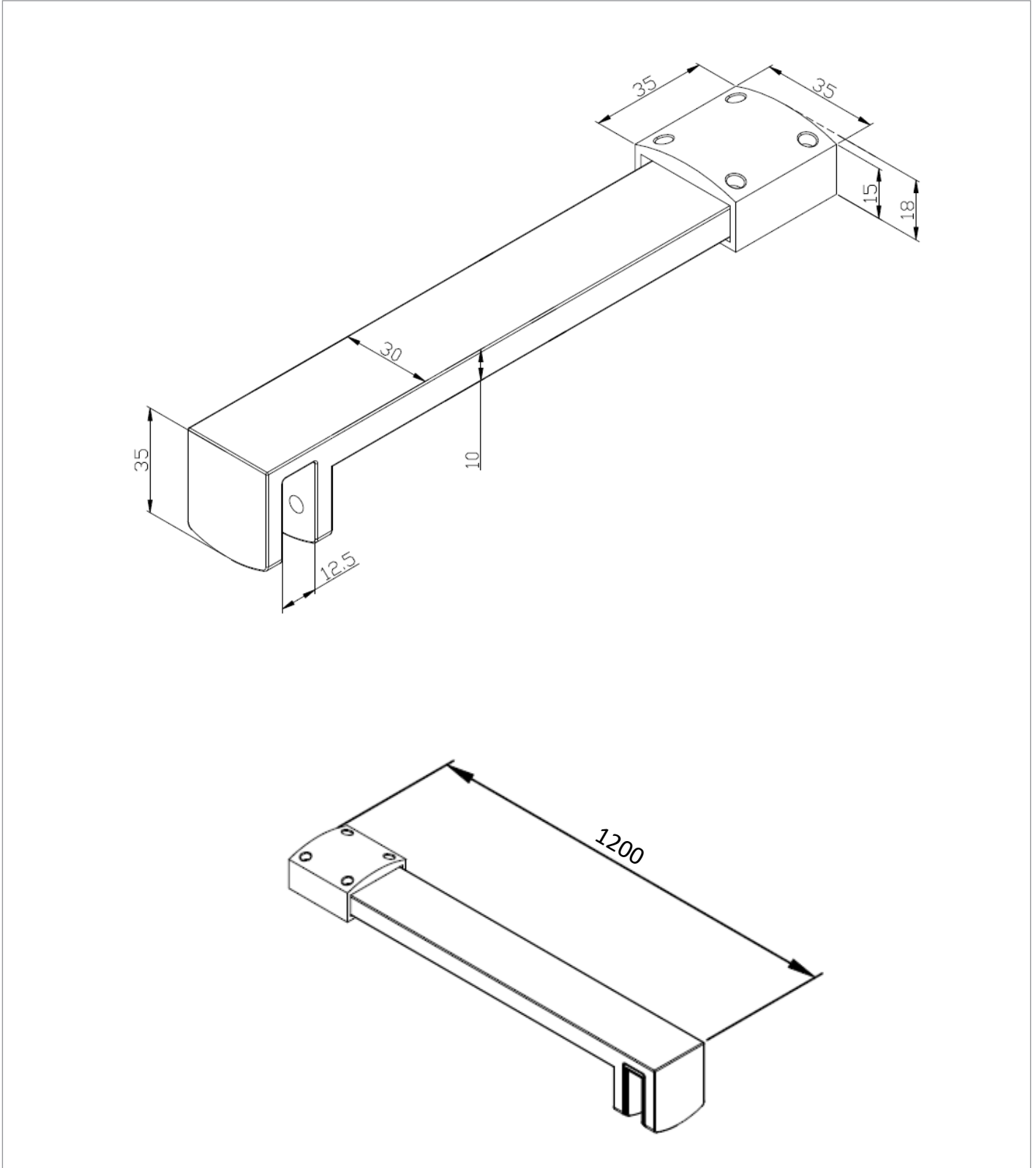


## TECHNICAL DIMENSIONS

Dimensions in mm unless otherwise specified.

Tolerances (per material type) apply.



## SPARES LIST

Only the parts labelled are available as spares.

SPARES AVAILABLE UPON REQUEST

Measurements in millimetres mm

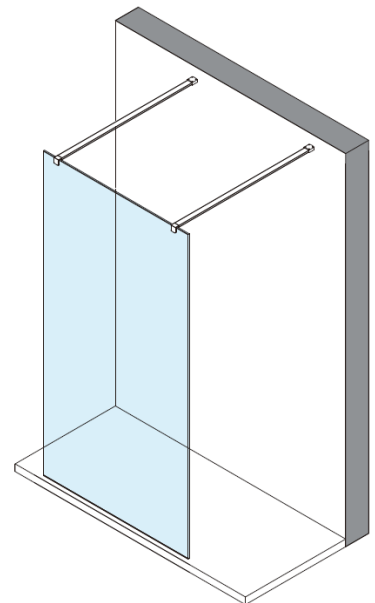
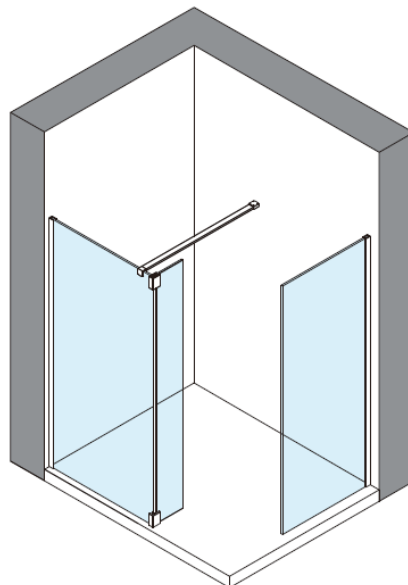
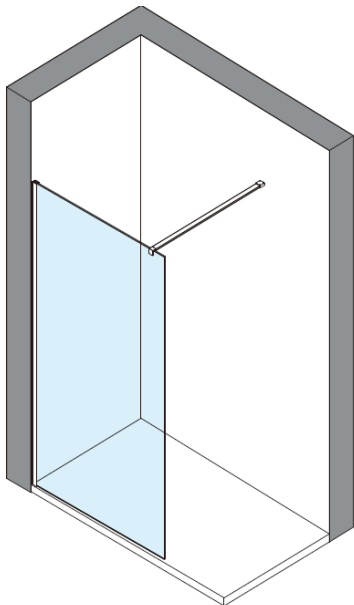
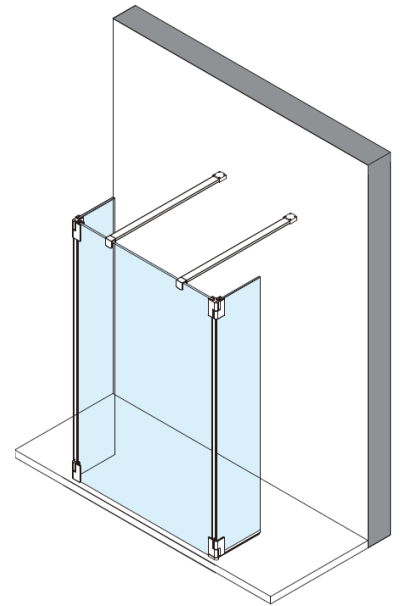
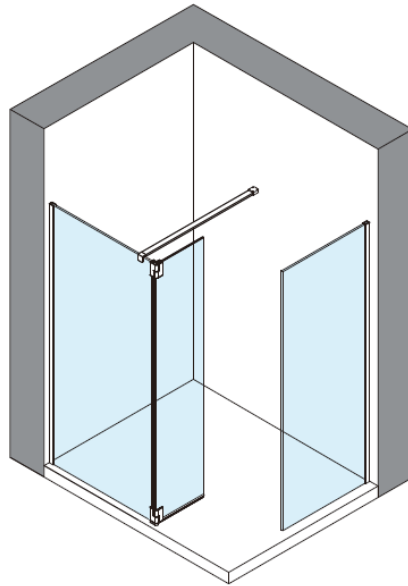
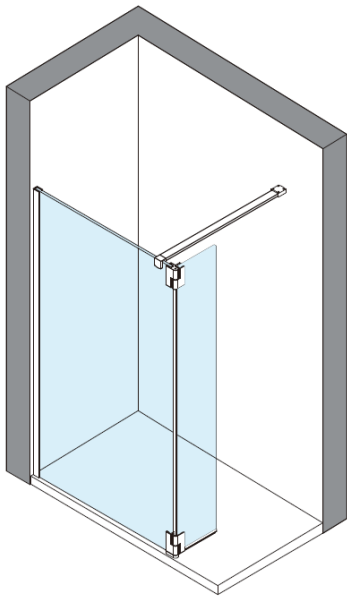
Information updated March 2021

Tel 0345 873 8840

crosswater<sup>®</sup>

GALLERY 10

Glass to wall Bracing Bar



**Toughened Glass**  
Strong and safe



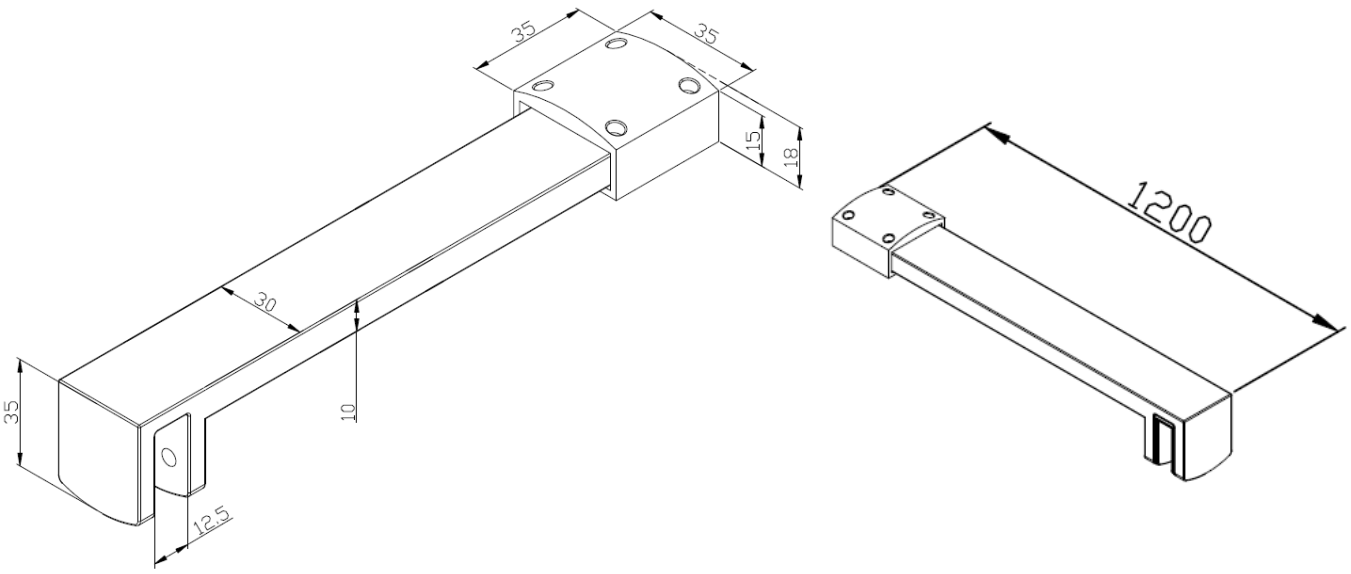
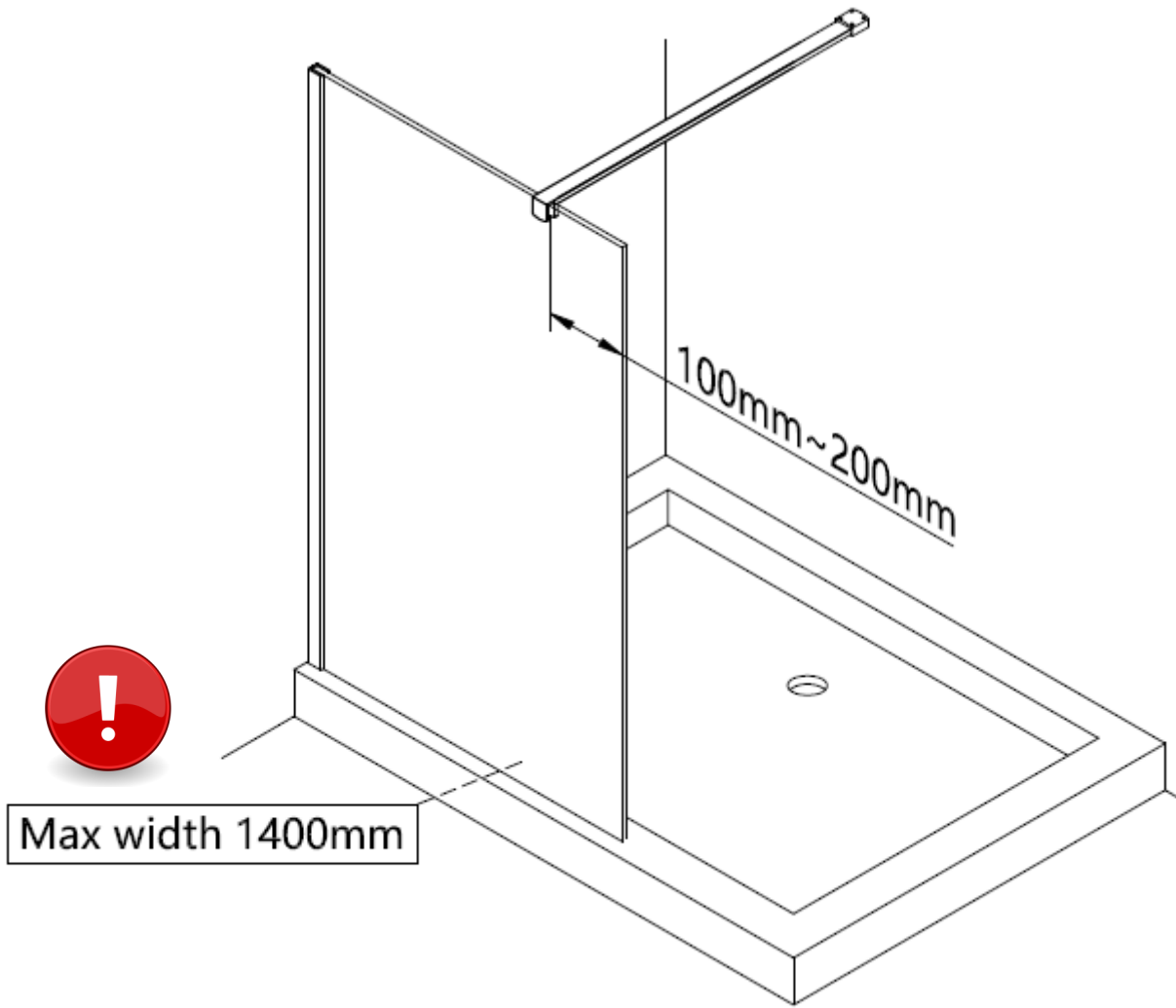
**Protective Finish**  
Easy to clean



**Lifetime Guarantee**  
Peace of mind



BS EN 14428



**Toughened Glass**  
Strong and safe



**Protective Finish**  
Easy to clean



**Lifetime Guarantee**  
Peace of mind



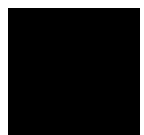
Brushed Brass



Polished Stainless



Brushed Stainless



Matt Black

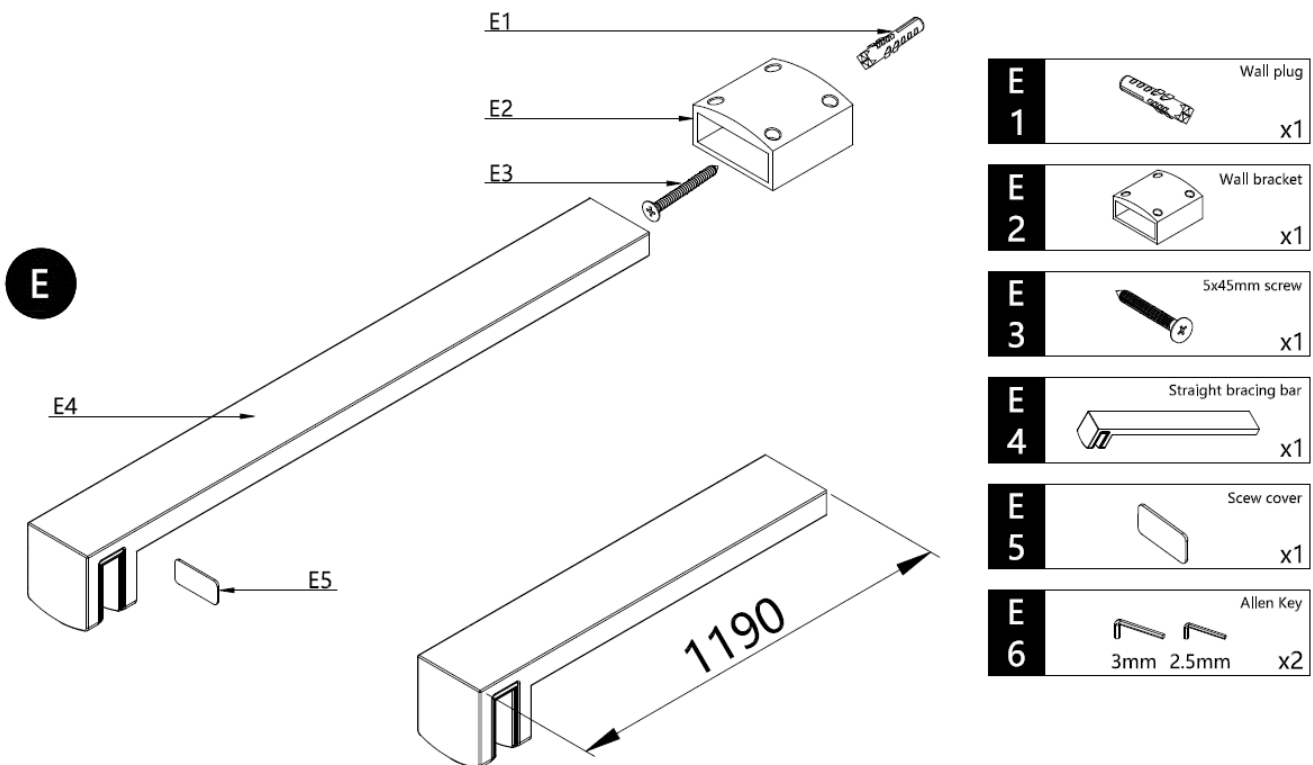
## GALLERY 10

### Glass to wall Bracing Bar



CODE	Gallery 10	Length
	Colour	mm
GRBRACEF	Brushed Brass	1200
GRBRACEMB	Matt Black	1200
GRBRACEPSS	Polished Stainless Steel	1200
GRBRACEV	Brushed Stainless Steel	1200

**Maximum width of glass 1400mm  
Can be cut down during installation**



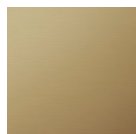
**Toughened Glass**  
Strong and safe



**Protective Finish**  
Easy to clean



**Lifetime Guarantee**  
Peace of mind



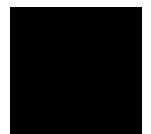
Brushed Brass



Polished Stainless



Brushed Stainless



Matt Black