

# PRODUCT DATA SHEET

*Burlington*<sup>®</sup>



## PRODUCT CODE

GU130TRIMG

## RANGE

Guild

## DESCRIPTION

Guild Basin 3TH Trim Set Wall Mounted Gold

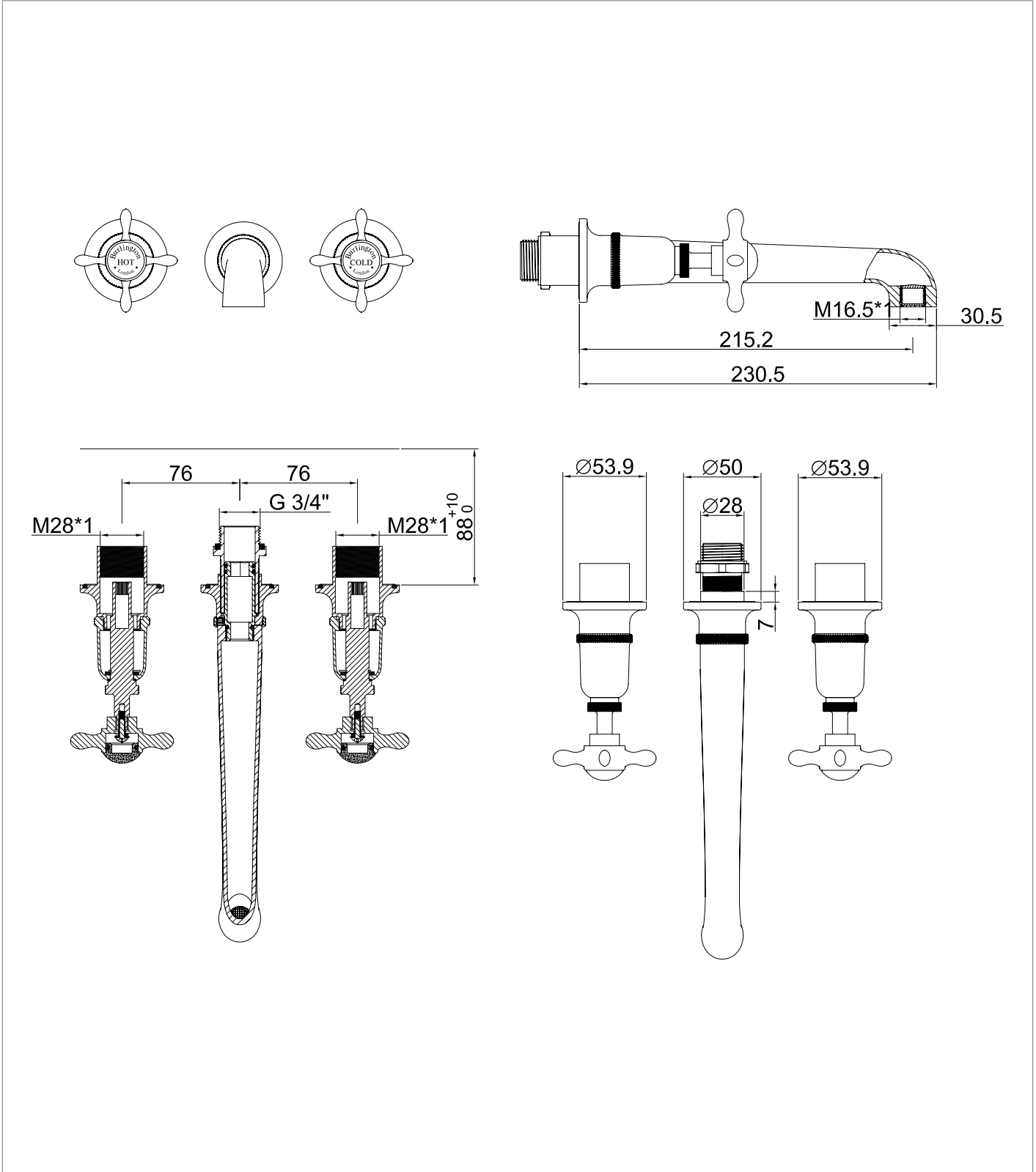
CATEGORY	Brassware
WARRANTY DETAILS	15 Years
COLOUR	Gold
FINISH APPLICATION	PVD
PRIMARY MATERIAL	Brass
SECONDARY MATERIAL	Vitreous China
INSTALL TYPE	Wall Mounted
PRODUCT WIDTH MM	218.5
PRODUCT HEIGHT MM	53.9
PRODUCT LENGTH MM	230.5
PRODUCT NET WEIGHT KG	1.23
STANDARDS	EN200,EN817
PRESSURE (BAR)	0.2   0.5   1   2   3   4   5
PRIMARY FLOWRATE	11.85   18.74   26.52   36.63   44.49   48.18   59.29
HANDSET FLOWRATE	
MESSAGE FLOW RATE	
AIR FLOW RATE	
WIRE FLOW RATE	
WATERFALL FLOW RATE	
MIST FLOW RATE	
HANDSPRAY FLOW RATE	

MINIMUM PRESSURE (BAR)	0.3
MAX WORKING PRESSURE (BAR)	5
NUMBER OF OUTLETS	1
NUMBER OF FUNCTIONS	1
SPOUT PROJECTION	215.20
SWIVEL SPOUT	No
INLET CONNECTIONS THREAD	G1/2"
OUTLET CONNECTIONS THREAD	M16.5*1
FLOW REGULATOR	Aerator, Flow straightener
WASTE INCLUDED	No
ANTI-SCALD	No
ENERGY SAVING	No
SHOWER HOSE & HANDSET ARE INCLUDED	No

**TECHNICAL DIMENSIONS**

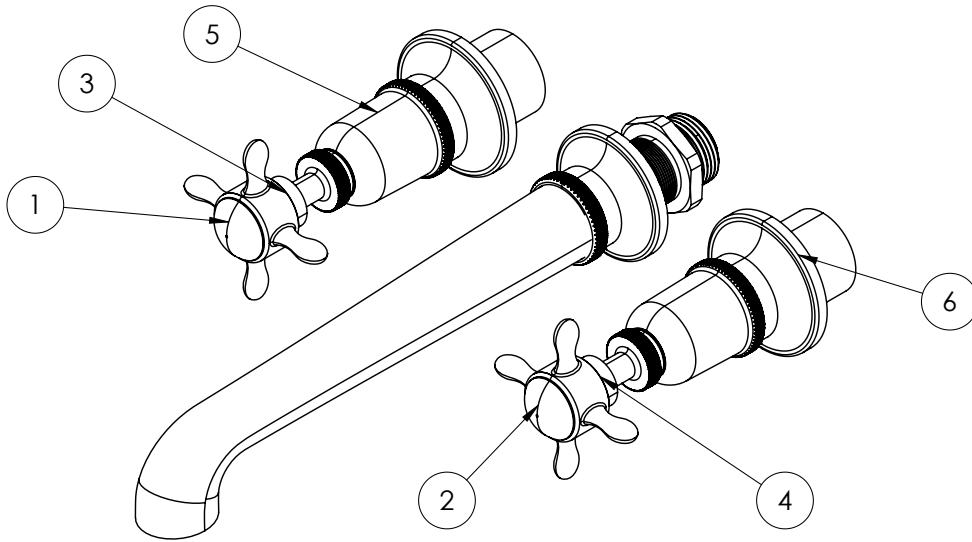
Dimensions in mm unless otherwise specified.

Tolerances (per material type) apply.



## SPARES LIST

Only the parts labelled are available as spares.



NUMBER	PART CODE	DESCRIPTION
1	SP1832	Guild Hot logo ceramic indice with O ring
2	SP1833	Guild Cold logo ceramic indice with O ring
3	SP1835CHR	Guild Hot handle assembly in Chrome
	SP1835BNKL	Guild Hot handle assembly in Brushed Nickel
	SP1835GOLD	Guild Hot handle assembly in Gold
4	SP1836CHR	Guild Cold handle assembly in Chrome
	SP1836BNKL	Guild Cold handle assembly in Brushed Nickel
	SP1836GOLD	Guild Cold handle assembly in Gold
5	SP1844CHR	Guild handle collar assembly in Chrome
	SP1844BNKL	Guild handle collar assembly in Brushed Nickel
	SP1844GOLD	Guild handle collar assembly in Gold
6	SP1845CHR	Guild Fixing thread part for handle collar in Chrome
	SP1845BNKL	Guild Fixing thread part for handle collar in Brushed Nickel
	SP1845GOLD	Guild Fixing thread part for handle collar in Gold