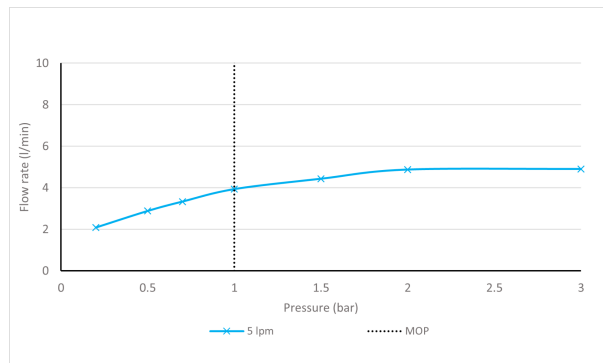


SPECIFICATION SHEET

COLLECTION: CAMEO

PRODUCT CODE: CAM-200M/CC-SBR



TAP TYPE

Basin Mixer

COLLECTION NAME

Cameo

FINISH

Satin Brass

RECOMMENDED FLOW REGULATOR

5 l/min Flow Regulator

MINIMUM OPERATING PRESSURE

1.0 Bar MP

GUARANTEE

10 Year Guarantee

HANDLES

Single Lever

WITH ECOTURN COLD START TECHNOLOGY

No

WITH WATER FLOW STRAIGHTENER

No

tel: 01934 744466
email: sales@vado.com
www.vado.com

WHERE INSPIRATION FLOWS
TAPS | SHOWERS | ACCESSORIES



SPECIFICATION SHEET

COLLECTION: CAMEO

PRODUCT CODE: CAM-200M/CC-SBR

WITH WATER FLOW AERATOR

Yes

CONNECTIONS / FITTINGS

2 x 1/2" 450mm flexipipe connection

SPARE PARTS

ceramic cartridge C-002-N25

DECK HOLE DRILL DIAMETER

35mm

WASTE

Universal Basin Waste

STYLE

Square

HOLES

1 Hole

MOUNTING

Deck Mounted

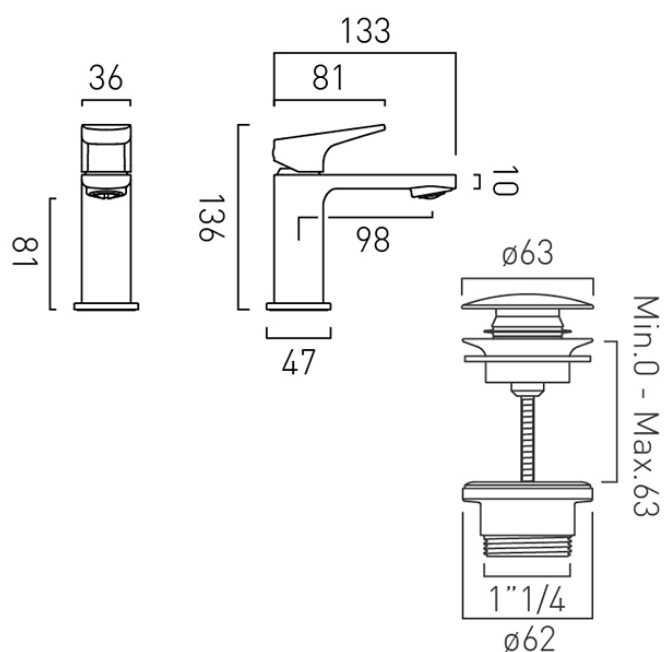
PLUMBING SYSTEM SUITABILITY

Combination Boiler

TECHNICAL DRAWING

COLLECTION: CAMEO

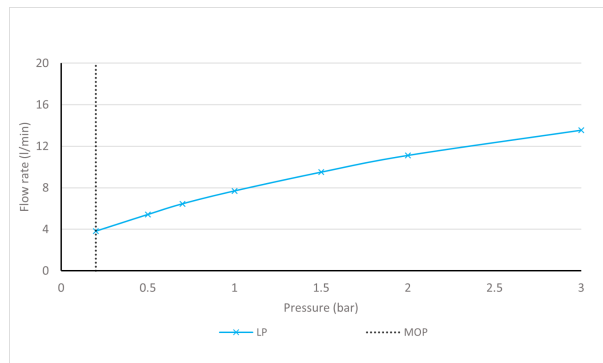
PRODUCT CODE: CAM-200M/CC-SBR



SPECIFICATION SHEET

COLLECTION: CAMEO

PRODUCT CODE: CAM-200M/CC-LP-SBR



TAP TYPE

Basin Mixer

COLLECTION NAME

Cameo

FINISH

Satin Brass

RECOMMENDED FLOW REGULATOR

5 l/min Flow Regulator

MINIMUM OPERATING PRESSURE

0.2 Bar LP

GUARANTEE

10 Year Guarantee

HANDLES

Single Lever

WITH ECOTURN COLD START TECHNOLOGY

No

WITH WATER FLOW STRAIGHTENER

Yes

tel: 01934 744466
email: sales@vado.com
www.vado.com

WHERE INSPIRATION FLOWS
TAPS | SHOWERS | ACCESSORIES



SPECIFICATION SHEET

COLLECTION: CAMEO

PRODUCT CODE: CAM-200M/CC-LP-SBR

WITH WATER FLOW AERATOR

No

CONNECTIONS / FITTINGS

2 x 1/2" 450mm flexipipe connection

SPARE PARTS

ceramic cartridge C-002-N25

DECK HOLE DRILL DIAMETER

35mm

WASTE

Universal Basin Waste

STYLE

Square

HOLES

1 Hole

MOUNTING

Deck Mounted

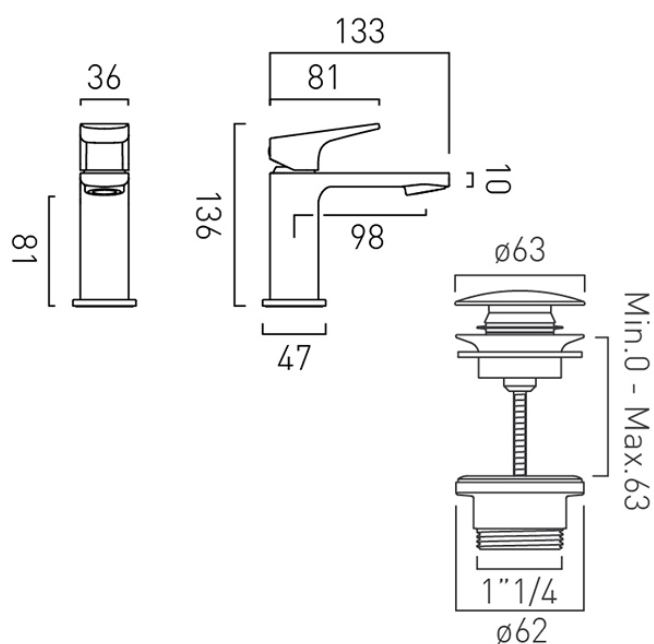
PLUMBING SYSTEM SUITABILITY

Gravity System

TECHNICAL DRAWING

COLLECTION: CAMEO

PRODUCT CODE: CAM-200M/CC-LP-SBR



tel: 01934 744466
email: sales@vado.com
www.vado.com

WHERE INSPIRATION FLOWS
TAPS | SHOWERS | ACCESSORIES

