

PRODUCT DATA SHEET

Burlington[®]



PRODUCT CODE

GU110DNC

RANGE

Guild


DESCRIPTION

Guild Basin Mono Deck Mounted No Waste Chrome

CATEGORY	Brassware
WARRANTY DETAILS	15 Years
COLOUR	Chrome
FINISH APPLICATION	Electroplated
PRIMARY MATERIAL	Brass
INSTALL TYPE	Basin Mounted
PRODUCT WIDTH MM	186.4
PRODUCT HEIGHT MM	122.4
PRODUCT LENGTH MM	144.6
PRODUCT NET WEIGHT KG	1.22
STANDARDS	EN200,EN817

MINIMUM PRESSURE (BAR)	0.2
MAX WORKING PRESSURE (BAR)	5
NUMBER OF OUTLETS	1
NUMBER OF FUNCTIONS	1
HEADWORK	1/2" Quarter turn ceramic cartridge
SPOUT PROJECTION	108.1
SWIVEL SPOUT	No
INLET CONNECTIONS THREAD	M10*1
FLOW REGULATOR	Aerator, Flow straightener
WASTE INCLUDED	No
ANTI-SCALD	No
ENERGY SAVING	No
SHOWER HOSE & HANDSET ARE INCLUDED	No

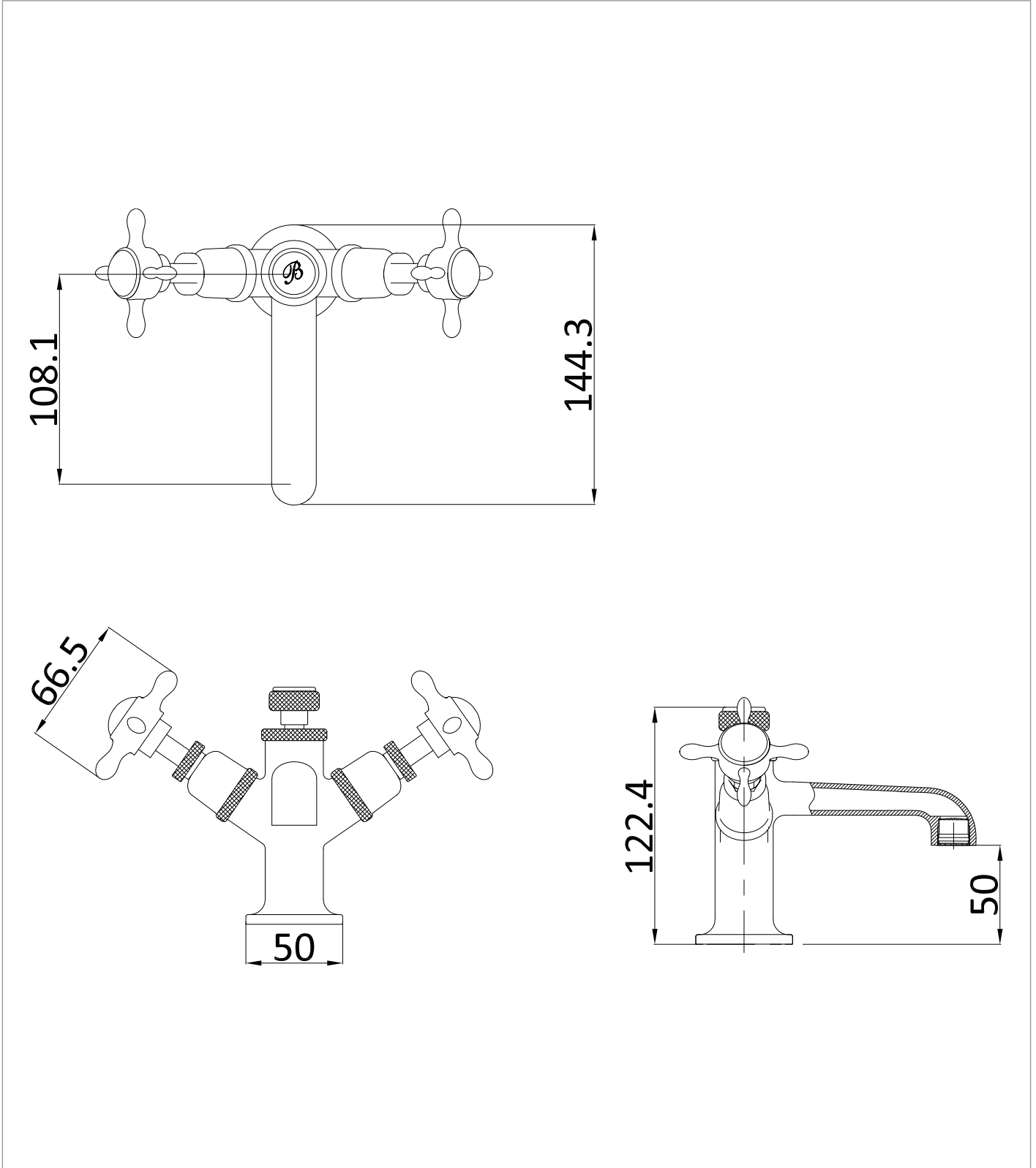
PRESSURE (BAR)	0.2	0.5	1	2	3	4	5
PRIMARY FLOWRATE	10.2	16.2	22.98	33.48	38.13	45.33	48.63
HANDSET FLOWRATE							
MASSAGE FLOW RATE							
AIR FLOW RATE							
WIRE FLOW RATE							
WATERFALL FLOW RATE							
MIST FLOW RATE							
HANDSPRAY FLOW RATE							

 Part of the Bathroom Brands Group

TECHNICAL DIMENSIONS

Dimensions in mm unless otherwise specified.

Tolerances (per material type) apply.



SPARES LIST

Only the parts labelled are available as spares.

SPARES AVAILABLE UPON REQUEST