



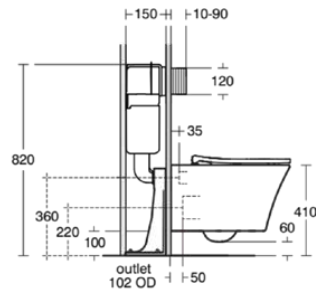
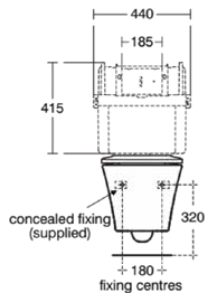
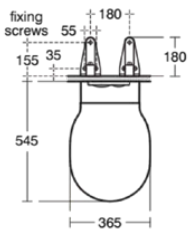
Ideal Standard

## CONNECT AIR

## E240401

CONNECT AIR | Wall-hung bowl 365x545x350 mm in white glossy finish, horizontal outlet | AquaBlade

### Image & drawing



### General information

Sub product type	Wall-hung bowl
Brand	Ideal Standard
Suite name	CONNECT AIR
Designer	Studio Levien
Colour code	01
Colour description	White Glossy
Surface finish effect	glossy
Height (mm)	350
Width (mm)	365
Length / Projection (mm)	545
Fixing method	Fixing bolts
EAN code	5017830554943
Net weight (kg)	22.36

### Features



AquaBlade

### Downloads

[BIM-UK](#)

[EPD](#)

### Product specifications

Disabled model	No
Raised model	No
Material	ceramic
Material quality	Vitreous china
Outlet visibility	Concealed
PVD technology	No
With bidet function	No
IdealPlus technology	No
Type of flushing	Washdown
Outlet location	Middle
Outlet orientation	Horizontal
Position of water supply	Rear
Type of water supply	Concealed
With hygienic recess / fixed toilet seat	No
Children's model	No



Ideal Standard

## Your local contact

### België • Belgique

Ideal Standard Produktions GmbH  
Ikaroslaan 18  
B-1930 Zaventem  
☎ +32 2 325 66 00  
✉ +32 2 325 66 01  
www.idealstandard.be

### България

Идеал Стандарт - Видима АД  
ул. "Марин Попов" 53  
гр. Севлиево, 5400  
☎ +359 885 938 880  
✉ office@idealstandard.com  
www.idealstandard.bg

### Česká republika

Ideal Standard s.r.o.  
Zemská 623  
41574 Teplice  
☎ +420 (0)-417-265 11  
✉ +420 (0)-417-265 15  
www.idealstandard.cz

### Hrvatska

Ideal Standard Hrvatska  
Lopatinečka ul. 8  
10000, Zagreb  
☎ +385 91 229 9304  
www.idealstandard.hr

### Danmark

Ideal Standard Skandinavia AS  
Tulipvej 1  
7100 Vejle (Denmark)  
☎ +45 758 410 10  
✉ +45 758 410 24  
www.idealstandard.dk

### Deutschland

Ideal Standard GmbH  
Euskirchener Straße 80  
53121 Bonn  
☎ +49 (0)228 521-0  
✉ +49 (0)228 521-241  
✉ idealstandard.de@idealstandard.com  
www.idealstandard.de

### Éire

Ideal Standard Éire  
2nd Floor, Unit 3103 Lake Drive Citywest  
Business Campus Tallaght Dublin 24 YXW2  
☎ +353 1 4564525  
www.idealstandard.ie

### España

Ideal Standard Iberia S.L.U  
Riera Principal Nr. 8  
08328 Alella (Barcelona - España)  
☎ +34 93 561 80 00  
www.idealstandard.es

### Ελλάδα

Ideal Standard S. A. Γραφεία Αθηνών:  
Λ. Μεσογείων 265, 15451 Ν.  
Ψυχικό, Αθήνα  
☎ +2106790800  
www.idealstandard.gr

### France

Ideal Standard France - Siège social  
39Rue St. Sabin  
75011 Paris  
☎ +33 (0)1 49 38 81 34  
✉ sav.idealstandard@idealstandard.com  
(demandes techniques) /  
devis.chantier@idealstandard.com  
(demandes commerciales)  
www.idealstandard.fr

### Italia

Ideal Standard (Italia) Srl  
Via Giosuè Borsi 9  
20143 Milano, Italia  
☎ +39 (0)2 28881  
✉ info@idealstandard.it  
www.idealstandard.it

### Nederland

Ideal Standard Nederland  
L. J. Costerstraat 30 - Postbus 7  
5900 AA Venlo  
☎ +31 (0)-77 355 08 08  
✉ +31 (0)-77 354 21 86  
www.idealstandard.nl

### Österreich

Ideal Standard GmbH  
Zweigniederlassung Österreich  
Erzherzog-Karl-Str. 131-135  
1220 Wien Österreich  
☎ +43 125 66 222-0  
✉ +43 125 66 222-625  
www.idealstandard.at

### Polska

Ideal Standard Polska  
Ul. Ostrowskiego 7  
53-238 Wrocław  
☎ +48 71 78 68 301  
www.idealstandard.po

### România

Ideal Standard Representative Office România  
Calea Victoriei 109, Etaj 1, Sector 1  
București, 010069  
☎ +40 746 050 408  
✉ officebucharest@idealstandard.com  
www.ideal-standard.ro

### Srbija

Ideal Standard - Vidima AD  
Drinčićevo br.19, I sprat, stan br.8  
11000 Beograd Srbija  
☎ +381 11 7138 058  
www.idealstandard.rs

### United Kingdom

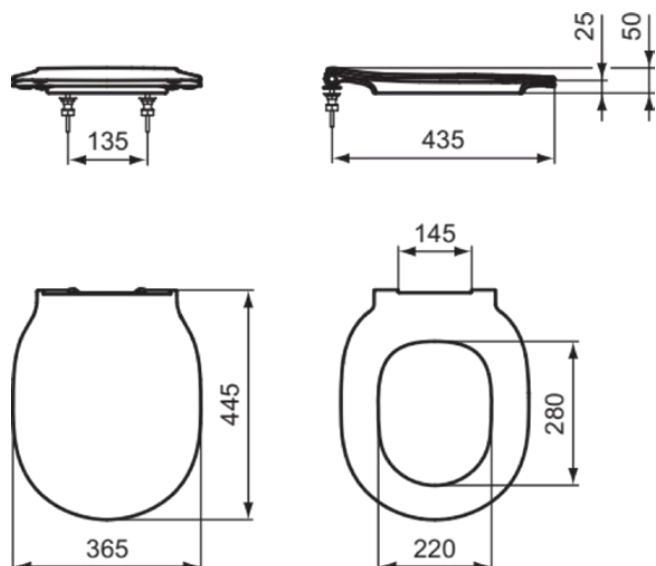
Ideal Standard (UK) Ltd  
The Bathroom Works National Avenue  
Kingston Upon Hull  
HU5 4HS  
☎ +44 (0)-1482 346 461  
✉ +44 (0)-1482 445 886  
www.idealstandard.co.uk

## CONNECT AIR

E081101

CONNECT AIR | Sandwich seat 365x445x40 mm in white glossy finish | Soft close seat

### Image & drawing



### General information

Sub product type	Sandwich seat
Brand	Ideal Standard
Suite name	CONNECT AIR
Colour code	01
Colour description	White Glossy
Surface finish effect	glossy
Height (mm)	40
Width (mm)	365
Length / Projection (mm)	445
EAN code	5017830515050
Net weight (kg)	2.10

### Features



Soft close seat

### Downloads

- [BIM-UK](#)
- [Installation Guide](#)

### Product specifications

Hinged leg attachment to seat	Pins inserted in lid
Slim looking	Yes
Quick release option	Yes
Anti-theft protection	No
With motif / icon	No
For universal toilet bowl	No
Closing function	Soft close
Material quality	Duroplast
PVD technology	No
IdealPlus technology	No
Fixation location	Top
Hinge material	Stainless steel
With hygienic recess / fixed toilet seat	No



Ideal Standard

## Your local contact

### België • Belgique

Ideal Standard Produktions GmbH  
Ikaroslaan 18  
B-1930 Zaventem  
☎ +32 2 325 66 00  
✉ +32 2 325 66 01  
www.idealstandard.be

### България

Идеал Стандарт - Видима АД  
ул. "Марин Попов" 53  
гр. Севлиево, 5400  
☎ +359 885 938 880  
✉ office@idealstandard.com  
www.idealstandard.bg

### Česká republika

Ideal Standard s.r.o.  
Zemská 623  
41574 Teplice  
☎ +420 (0)-417-265 11  
✉ +420 (0)-417-265 15  
www.idealstandard.cz

### Hrvatska

Ideal Standard Hrvatska  
Lopatinečka ul. 8  
10000, Zagreb  
☎ +385 91 229 9304  
www.idealstandard.hr

### Danmark

Ideal Standard Skandinavia AS  
Tulipvej 1  
7100 Vejle (Denmark)  
☎ +45 758 410 10  
✉ +45 758 410 24  
www.idealstandard.dk

### Deutschland

Ideal Standard GmbH  
Euskirchener Straße 80  
53121 Bonn  
☎ +49 (0)228 521-0  
✉ +49 (0)228 521-241  
✉ idealstandard.de@idealstandard.com  
www.idealstandard.de

### Éire

Ideal Standard Éire  
2nd Floor, Unit 3103 Lake Drive Citywest  
Business Campus Tallaght Dublin 24 YXW2  
☎ +353 1 4564525  
www.idealstandard.ie

### España

Ideal Standard Iberia S.L.U  
Riera Principal Nr. 8  
08328 Alella (Barcelona - España)  
☎ +34 93 561 80 00  
www.idealstandard.es

### Ελλάδα

Ideal Standard S. A. Γραφεία Αθηνών:  
Λ. Μεσογείων 265, 15451 Ν.  
Ψυχικό, Αθήνα  
☎ +2106790800  
www.idealstandard.gr

### France

Ideal Standard France - Siège social  
39Rue St. Sabin  
75011 Paris  
☎ +33 (0)1 49 38 81 34  
✉ sav.idealstandard@idealstandard.com  
(demandes techniques) /  
devis.chantier@idealstandard.com  
(demandes commerciales)  
www.idealstandard.fr

### Italia

Ideal Standard (Italia) Srl  
Via Giosuè Borsi 9  
20143 Milano, Italia  
☎ +39 (0)2 28881  
✉ info@idealstandard.it  
www.idealstandard.it

### Nederland

Ideal Standard Nederland  
L. J. Costerstraat 30 - Postbus 7  
5900 AA Venlo  
☎ +31 (0)-77 355 08 08  
✉ +31 (0)-77 354 21 86  
www.idealstandard.nl

### Österreich

Ideal Standard GmbH  
Zweigniederlassung Österreich  
Erzherzog-Karl-Str. 131-135  
1220 Wien Österreich  
☎ +43 125 66 222-0  
✉ +43 125 66 222-625  
www.idealstandard.at

### Polska

Ideal Standard Polska  
Ul. Ostrowskiego 7  
53-238 Wrocław  
☎ +48 71 78 68 301  
www.idealstandard.po

### România

Ideal Standard Representative Office România  
Calea Victoriei 109, Etaj 1, Sector 1  
București, 010069  
☎ +40 746 050 408  
✉ officebucharest@idealstandard.com  
www.ideal-standard.ro

### Srbija

Ideal Standard - Vidima AD  
Drinčićevo br.19, I sprat, stan br.8  
11000 Beograd Srbija  
☎ +381 11 7138 058  
www.idealstandard.rs

### United Kingdom

Ideal Standard (UK) Ltd  
The Bathroom Works National Avenue  
Kingston Upon Hull  
HU5 4HS  
☎ +44 (0)-1482 346 461  
✉ +44 (0)-1482 445 886  
www.idealstandard.co.uk



# AquaBlade®

FLUSH TECHNOLOGY

CLEANER  
QUIETER  
SMARTER

**CLEANER:**

AQUABLADE® TECHNOLOGY  
ENSURES 95% OF THE SURFACE  
AREA IS RINSED CLEAN

**QUIETER:**

AQUABLADE® IS PROVEN TO  
BE UP TO 25% QUIETER THAN  
OUR EQUIVALENT MODELS

**SMARTER:**

MORE EFFECTIVE AND EFFICIENT  
USE OF WATER COMPARED  
TO STANDARD FLUSHES



reddot award 2015  
winner



LONDON CONSTRUCTION AWARDS  
INNOVATION OF THE YEAR – MANUFACTURING

# CLEANER QUIETER SMARTER

## CLEANER

AquaBlade® technology outperforms all existing toilets in terms of hygiene. Traditional toilets leave a significant area of the bowl unwashed, particularly at the back of the bowl. The AquaBlade® channel is positioned close to the top of the bowl so that 95% of the surface area beneath is cleaned every time.

With AquaBlade® technology, the optimised water pressure and smooth curves of the bowl flush bacteria clean away with no unhygienic splashing. The bowls are also very easy to clean, with no overhanging rim to hide potentially dirty areas.



With traditional box-rimmed toilets, approximately 20% of the bowl is unwashed.

AquaBlade® technology ensures that 95% of the surface area below the channel is rinsed clean.

## 95% OF THE SURFACE AREA BENEATH IS CLEANED EVERY TIME

## SMARTER

Technology is expected to function perfectly when it is combined with elegant and unobtrusive design, coupled with tangible functional benefits; then you truly have a product that can be described as a smarter design.

TECHNOLOGY  
IS EXPECTED TO  
FUNCTION PERFECTLY



AQUABLADE®  
TECHNOLOGY  
REDUCES THE  
TYPICALLY  
UNWASHED  
AREA BY 89%



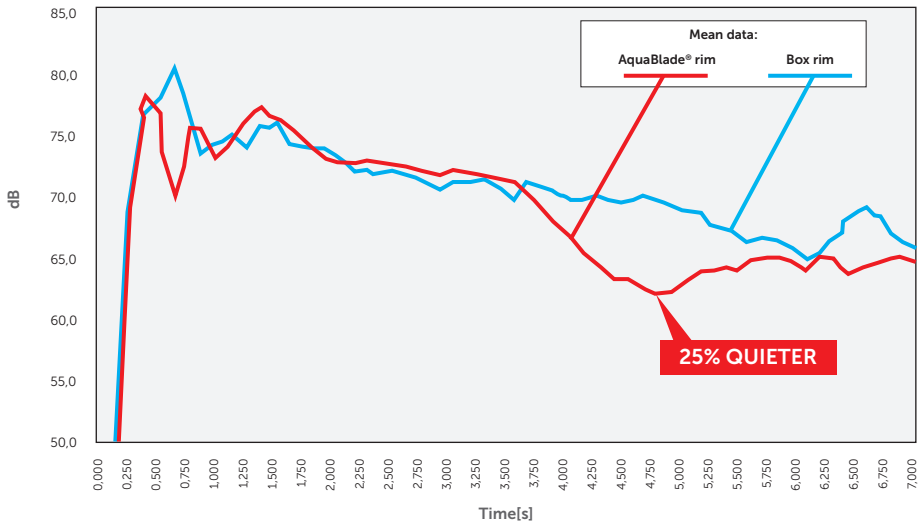
*AquaBlade® technology now features in a wide range of toilet styles. Clockwise from above: Ideal Standard's Concept Air, Sottini Vara and Sottini Santorini.*

## QUIETER

In comparison with many traditional flushes, AquaBlade® is up to 80% quieter. Our scientific comparisons have been made against exact like-for-like toilet bowls, one with the new revolutionary AquaBlade® flush and one with a traditional flush. The results show a 25% reduction in noise.

THE RESULTS  
SHOW A 25%  
REDUCTION  
IN NOISE

dB Chart by Bowl Type



## DON'T TAKE OUR WORD FOR IT...

Bernhard Franken of Franken Architects took a closer look and was very impressed by the simple, clean lines and discreet flushing channel.

The practical advantages are evident. The all-round integral channel means that practically the entire bowl is flushed. In addition to the visual aspect, this also considerably reduces the need for cleaning.

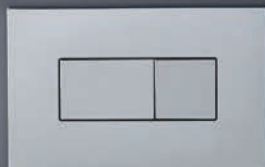
The cascading water runs down evenly at a sufficient pressure to wash everything away – quietly and without splashing.

The AquaBlade® channel is a real eye-catcher. It is practically invisible which makes it incredibly elegant and a great advance on its competitors.



# AquaBlade®

FLUSH TECHNOLOGY



## THE MULTI-AWARD-WINNING AQUABLADE® – A NEW ERA IN FLUSH TECHNOLOGY

The most significant development in the product category since the invention of the flush toilet in the 19th century, AquaBlade®, was launched by Ideal Standard in 2015, and its exclusive and patented technology offers the best superior flushing, even at low water volumes.

AquaBlade® technology sets new standards in both toilet design and optimum flush performance – the smooth, gently curved surface with no overhanging rim also means it is much more hygienic and easier to clean; it is quieter in flush, and has an all-round smarter design.



# MULTI-AWARD-WINNING TECHNOLOGY

## AQUABLADE® HAS WON MULTIPLE AWARDS IN RECOGNITION OF ITS DESIGN AND ADVANCED TECHNOLOGY

***The prestigious Housebuilder Awards*** – Best Bathroom Product (UK) 2016. Recognition of the best in building and development products.

***Gold Award for Innovation in Sustainability*** – Designer Kitchen & Bathroom Awards (UK) 2015. The Designer Awards recognise and reward the very best in kitchen and bathroom design.

***Red Dot Design Award*** – Excellent design is selected by expert juries. The accolade of the Red Dot Design Award, the 'Red Dot', is an internationally recognised quality label for excellent design.

***The International AIT Award*** – Best in interior and architecture. An internationally renowned jury of architects and interior designers award the best projects.

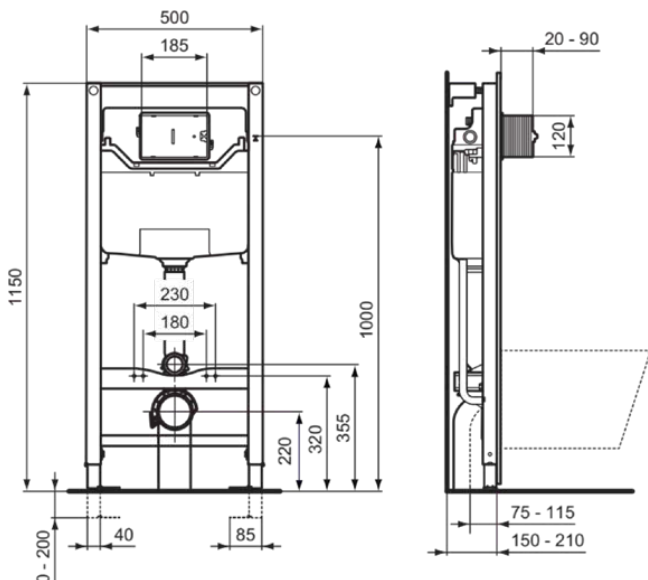
***iF Design Award***, organises one of the most prestigious design competitions in the world today. Every year the iF attracts more than 2,000 product entries from around 37 nations, which are judged by renowned experts, with the best of them receiving an iF seal of outstanding design quality.

***The Build It Awards***, in association with BuildStore UK, celebrate all aspects of self-build and renovation. The awards bring together architects, manufacturers and key industry figures in recognition of innovation and excellence.

The German Design Council bestows the ***German Design Award***. The German Design Council is one of the world's leading competence centres for communication and brand management in the field of design.

PROSYS | WC frame 500x150x1150 mm in neutral finish | Load tested to 400kg

Image & drawing



General information

Sub product type	WC frame
Brand	Ideal Standard
Suite name	PROSYS
Colour code	67
Colour description	Neutral
Surface finish effect	matt
Height (mm)	1150
Width (mm)	500
Length / Projection (mm)	150
Fixing method	Fixing bolts
EAN code	3391500580862
Net weight (kg)	12.20

Features



Load tested to 400kg

Downloads

- [BIM-UK](#)
- [Installation Guide](#)

Product standard & certifications

Additional standards	EN 14055
DoP classification	CL2-NL/NPD

Product specifications

Water saving	No
Material of waste set	Plastic
Legs adjustable	Yes
Amount of water connection positions	2
Flushing options	2 volumes
Adjustable flush volume	Yes
Adjustable toilet height	No
Freestanding	No
With bracket for high wall mounting	Yes
Load capacity (kg)	400
Smart Flush compatible	Yes
Material of concealed cistern	Plastic
Easy Fix technology	Yes
Tool-free service	Yes
Smart Valve technology	No
Silent filling process	No
With power supply unit	No
Frame material	Steel
With anti-condensation insulation set	Yes
Location of flush plate	Front



Ideal Standard

Pre-set flush volume (l)	6
PVD technology	No
With waste bend	Yes
With angle valve	Yes
IdealPlus technology	No
Adjustable leg brakes	Yes



Ideal Standard

## Your local contact

### België • Belgique

Ideal Standard Produktions GmbH  
Ikaroslaan 18  
B-1930 Zaventem  
☎ +32 2 325 66 00  
✉ +32 2 325 66 01  
www.idealstandard.be

### България

Идеал Стандарт - Видима АД  
ул. "Марин Попов" 53  
гр. Севлиево, 5400  
☎ +359 885 938 880  
✉ office@idealstandard.com  
www.idealstandard.bg

### Česká republika

Ideal Standard s.r.o.  
Zemská 623  
41574 Teplice  
☎ +420 (0)-417-265 11  
✉ +420 (0)-417-265 15  
www.idealstandard.cz

### Hrvatska

Ideal Standard Hrvatska  
Lopatinečka ul. 8  
10000, Zagreb  
☎ +385 91 229 9304  
www.idealstandard.hr

### Danmark

Ideal Standard Skandinavia AS  
Tulipvej 1  
7100 Vejle (Denmark)  
☎ +45 758 410 10  
✉ +45 758 410 24  
www.idealstandard.dk

### Deutschland

Ideal Standard GmbH  
Euskirchener Straße 80  
53121 Bonn  
☎ +49 (0)228 521-0  
✉ +49 (0)228 521-241  
✉ idealstandard.de@idealstandard.com  
www.idealstandard.de

### Éire

Ideal Standard Éire  
2nd Floor, Unit 3103 Lake Drive Citywest  
Business Campus Tallaght Dublin 24 YXW2  
☎ +353 1 4564525  
www.idealstandard.ie

### España

Ideal Standard Iberia S.L.U  
Riera Principal Nr. 8  
08328 Alella (Barcelona - España)  
☎ +34 93 561 80 00  
www.idealstandard.es

### Ελλάδα

Ideal Standard S. A. Γραφεία Αθηνών:  
Λ. Μεσογείων 265, 15451 Ν.  
Ψυχικό, Αθήνα  
☎ +2106790800  
www.idealstandard.gr

### France

Ideal Standard France - Siège social  
39Rue St. Sabin  
75011 Paris  
☎ +33 (0)1 49 38 81 34  
✉ sav.idealstandard@idealstandard.com  
(demandes techniques) /  
devis.chantier@idealstandard.com  
(demandes commerciales)  
www.idealstandard.fr

### Italia

Ideal Standard (Italia) Srl  
Via Giosuè Borsi 9  
20143 Milano, Italia  
☎ +39 (0)2 28881  
✉ info@idealstandard.it  
www.idealstandard.it

### Nederland

Ideal Standard Nederland  
L. J. Costerstraat 30 - Postbus 7  
5900 AA Venlo  
☎ +31 (0)-77 355 08 08  
✉ +31 (0)-77 354 21 86  
www.idealstandard.nl

### Österreich

Ideal Standard GmbH  
Zweigniederlassung Österreich  
Erzherzog-Karl-Str. 131-135  
1220 Wien Österreich  
☎ +43 125 66 222-0  
✉ +43 125 66 222-625  
www.idealstandard.at

### Polska

Ideal Standard Polska  
Ul. Ostrowskiego 7  
53-238 Wrocław  
☎ +48 71 78 68 301  
www.idealstandard.po

### România

Ideal Standard Representative Office România  
Calea Victoriei 109, Etaj 1, Sector 1  
București, 010069  
☎ +40 746 050 408  
✉ officebucharest@idealstandard.com  
www.ideal-standard.ro

### Srbija

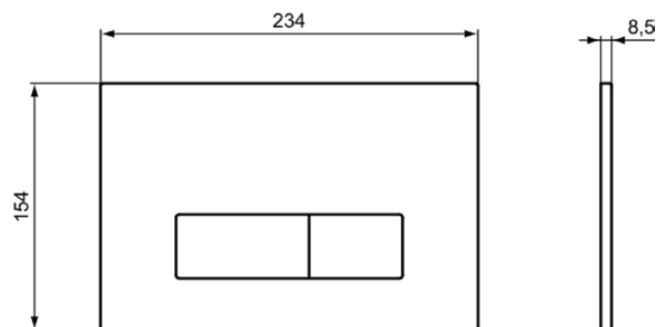
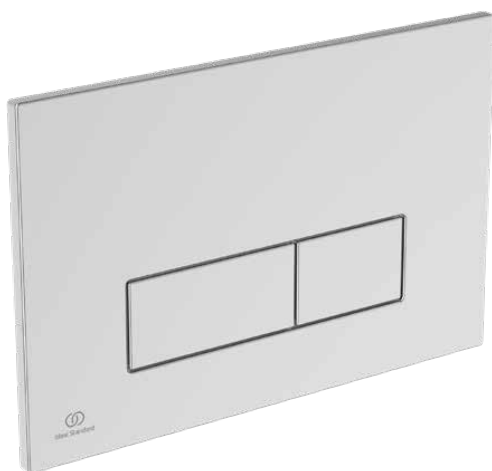
Ideal Standard - Vidima AD  
Drinčićevo br.19, I sprat, stan br.8  
11000 Beograd Srbija  
☎ +381 11 7138 058  
www.idealstandard.rs

### United Kingdom

Ideal Standard (UK) Ltd  
The Bathroom Works National Avenue  
Kingston Upon Hull  
HU5 4HS  
☎ +44 (0)-1482 346 461  
✉ +44 (0)-1482 445 886  
www.idealstandard.co.uk

OLEAS | Mechanic control plate 234x8.5x154 mm in chrome finish

### Image & drawing



### General information

Sub product type	Mechanic control plate
Brand	Ideal Standard
Suite name	OLEAS
Designer	Studio Levien
Colour code	AA
Colour description	Chrome
Surface finish effect	glossy
Height (mm)	154
Width (mm)	234
Length / Projection (mm)	8.5
Fixing method	Fixing bolts
EAN code	3391500580329
Net weight (kg)	0.34

### Downloads

- [BIM-UK](#)
- [Installation Guide](#)

### Product specifications

Automatic cycle flushing	No
Operating method	Push button
Flushing time adjustable	No
Surface cover	chromium-plated
SmartShine	Yes
Material quality	ABS
Flushing options	2 volumes
Adjustable flush volume	No
Smart Flush compatible	No
Tool-free service	Yes
Type of actuation	Mechanic
Flush trigger can be deactivated manually	No
Actuation force (N)	<20
Anti-vandal	No
Spring-loaded push button	Yes
With mounting frame	Yes
With pneumatic hoses	No
With connector rods	Yes
With activation rods	Yes
With power supply unit	No
With electronic control unit	No
With control and battery case	No
With bearing block (servomotor and lifting device)	No
Mechanically operated in the event of a power failure	Yes
With fitting box	No
With concealed flushing valve	No
PVD technology	No
IdealPlus technology	No



Ideal Standard

## Your local contact

### België • Belgique

Ideal Standard Produktions GmbH  
Ikaroslaan 18  
B-1930 Zaventem  
☎ +32 2 325 66 00  
✉ +32 2 325 66 01  
www.idealstandard.be

### България

Идеал Стандарт - Видима АД  
ул. "Марин Попов" 53  
гр. Севлиево, 5400  
☎ +359 885 938 880  
✉ office@idealstandard.com  
www.idealstandard.bg

### Česká republika

Ideal Standard s.r.o.  
Zemská 623  
41574 Teplice  
☎ +420 (0)-417-265 11  
✉ +420 (0)-417-265 15  
www.idealstandard.cz

### Hrvatska

Ideal Standard Hrvatska  
Lopatinečka ul. 8  
10000, Zagreb  
☎ +385 91 229 9304  
www.idealstandard.hr

### Danmark

Ideal Standard Skandinavia AS  
Tulipvej 1  
7100 Vejle (Denmark)  
☎ +45 758 410 10  
✉ +45 758 410 24  
www.idealstandard.dk

### Deutschland

Ideal Standard GmbH  
Euskirchener Straße 80  
53121 Bonn  
☎ +49 (0)228 521-0  
✉ +49 (0)228 521-241  
✉ idealstandard.de@idealstandard.com  
www.idealstandard.de

### Éire

Ideal Standard Éire  
2nd Floor, Unit 3103 Lake Drive Citywest  
Business Campus Tallaght Dublin 24 YXW2  
☎ +353 1 4564525  
www.idealstandard.ie

### España

Ideal Standard Iberia S.L.U  
Riera Principal Nr. 8  
08328 Alella (Barcelona - España)  
☎ +34 93 561 80 00  
www.idealstandard.es

### Ελλάδα

Ideal Standard S. A. Γραφεία Αθηνών:  
Λ. Μεσογείων 265, 15451 Ν.  
Ψυχικό, Αθήνα  
☎ +2106790800  
www.idealstandard.gr

### France

Ideal Standard France - Siège social  
39Rue St. Sabin  
75011 Paris  
☎ +33 (0)1 49 38 81 34  
✉ sav.idealstandard@idealstandard.com  
(demandes techniques) /  
devis.chantier@idealstandard.com  
(demandes commerciales)  
www.idealstandard.fr

### Italia

Ideal Standard (Italia) Srl  
Via Giosuè Borsi 9  
20143 Milano, Italia  
☎ +39 (0)2 28881  
✉ info@idealstandard.it  
www.idealstandard.it

### Nederland

Ideal Standard Nederland  
L. J. Costerstraat 30 - Postbus 7  
5900 AA Venlo  
☎ +31 (0)-77 355 08 08  
✉ +31 (0)-77 354 21 86  
www.idealstandard.nl

### Österreich

Ideal Standard GmbH  
Zweigniederlassung Österreich  
Erzherzog-Karl-Str. 131-135  
1220 Wien Österreich  
☎ +43 125 66 222-0  
✉ +43 125 66 222-625  
www.idealstandard.at

### Polska

Ideal Standard Polska  
Ul. Ostrowskiego 7  
53-238 Wrocław  
☎ +48 71 78 68 301  
www.idealstandard.po

### România

Ideal Standard Representative Office România  
Calea Victoriei 109, Etaj 1, Sector 1  
București, 010069  
☎ +40 746 050 408  
✉ officebucharest@idealstandard.com  
www.ideal-standard.ro

### Srbija

Ideal Standard - Vidima AD  
Drinčićevo br.19, I sprat, stan br.8  
11000 Beograd Srbija  
☎ +381 11 7138 058  
www.idealstandard.rs

### United Kingdom

Ideal Standard (UK) Ltd  
The Bathroom Works National Avenue  
Kingston Upon Hull  
HU5 4HS  
☎ +44 (0)-1482 346 461  
✉ +44 (0)-1482 445 886  
www.idealstandard.co.uk



# AquaBlade®

FLUSH TECHNOLOGY

CLEANER  
QUIETER  
SMARTER

**CLEANER:**

AQUABLADE® TECHNOLOGY  
ENSURES 95% OF THE SURFACE  
AREA IS RINSED CLEAN

**QUIETER:**

AQUABLADE® IS PROVEN TO  
BE UP TO 25% QUIETER THAN  
OUR EQUIVALENT MODELS

**SMARTER:**

MORE EFFECTIVE AND EFFICIENT  
USE OF WATER COMPARED  
TO STANDARD FLUSHES



reddot award 2015  
winner



LONDON CONSTRUCTION AWARDS  
INNOVATION OF THE YEAR – MANUFACTURING



# CLEANER QUIETER SMARTER

## CLEANER

AquaBlade® technology outperforms all existing toilets in terms of hygiene. Traditional toilets leave a significant area of the bowl unwashed, particularly at the back of the bowl. The AquaBlade® channel is positioned close to the top of the bowl so that 95% of the surface area beneath is cleaned every time.

With AquaBlade® technology, the optimised water pressure and smooth curves of the bowl flush bacteria clean away with no unhygienic splashing. The bowls are also very easy to clean, with no overhanging rim to hide potentially dirty areas.



With traditional box-rimmed toilets, approximately 20% of the bowl is unwashed.

AquaBlade® technology ensures that 95% of the surface area below the channel is rinsed clean.

## 95% OF THE SURFACE AREA BENEATH IS CLEANED EVERY TIME

## SMARTER

Technology is expected to function perfectly when it is combined with elegant and unobtrusive design, coupled with tangible functional benefits; then you truly have a product that can be described as a smarter design.

TECHNOLOGY  
IS EXPECTED TO  
FUNCTION PERFECTLY



AQUABLADE®  
TECHNOLOGY  
REDUCES THE  
TYPICALLY  
UNWASHED  
AREA BY 89%



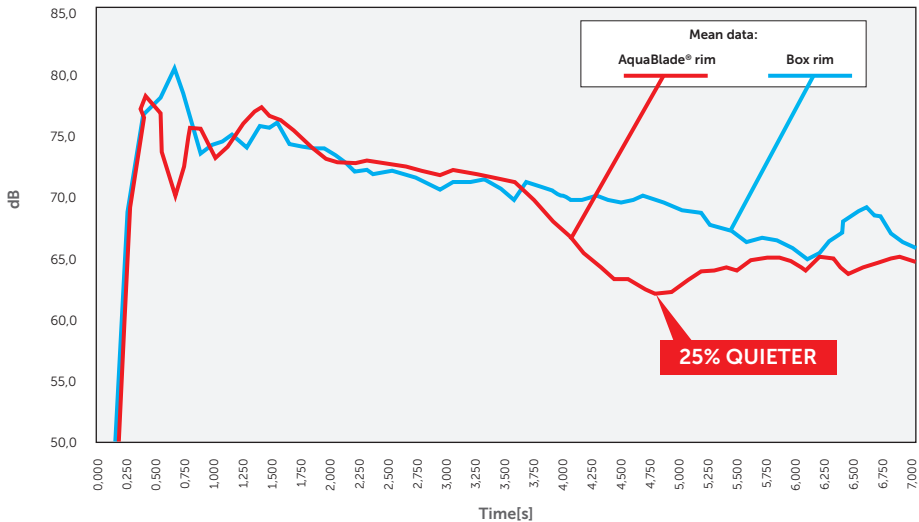
*AquaBlade® technology now features in a wide range of toilet styles. Clockwise from above: Ideal Standard's Concept Air, Sottini Vara and Sottini Santorini.*

## QUIETER

In comparison with many traditional flushes, AquaBlade® is up to 80% quieter. Our scientific comparisons have been made against exact like-for-like toilet bowls, one with the new revolutionary AquaBlade® flush and one with a traditional flush. The results show a 25% reduction in noise.

THE RESULTS  
SHOW A 25%  
REDUCTION  
IN NOISE

dB Chart by Bowl Type



## DON'T TAKE OUR WORD FOR IT...

Bernhard Franken of Franken Architects took a closer look and was very impressed by the simple, clean lines and discreet flushing channel.

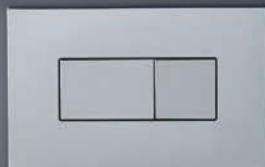
The practical advantages are evident. The all-round integral channel means that practically the entire bowl is flushed. In addition to the visual aspect, this also considerably reduces the need for cleaning.

The cascading water runs down evenly at a sufficient pressure to wash everything away – quietly and without splashing.

The AquaBlade® channel is a real eye-catcher. It is practically invisible which makes it incredibly elegant and a great advance on its competitors.

# AquaBlade®

FLUSH TECHNOLOGY



## THE MULTI-AWARD-WINNING AQUABLADE® – A NEW ERA IN FLUSH TECHNOLOGY

The most significant development in the product category since the invention of the flush toilet in the 19th century, AquaBlade®, was launched by Ideal Standard in 2015, and its exclusive and patented technology offers the best superior flushing, even at low water volumes.

AquaBlade® technology sets new standards in both toilet design and optimum flush performance – the smooth, gently curved surface with no overhanging rim also means it is much more hygienic and easier to clean; it is quieter in flush, and has an all-round smarter design.



# MULTI-AWARD-WINNING TECHNOLOGY

## AQUABLADE® HAS WON MULTIPLE AWARDS IN RECOGNITION OF ITS DESIGN AND ADVANCED TECHNOLOGY

***The prestigious Housebuilder Awards*** – Best Bathroom Product (UK) 2016. Recognition of the best in building and development products.

***Gold Award for Innovation in Sustainability*** – Designer Kitchen & Bathroom Awards (UK) 2015. The Designer Awards recognise and reward the very best in kitchen and bathroom design.

***Red Dot Design Award*** – Excellent design is selected by expert juries. The accolade of the Red Dot Design Award, the 'Red Dot', is an internationally recognised quality label for excellent design.

***The International AIT Award*** – Best in interior and architecture. An internationally renowned jury of architects and interior designers award the best projects.

***iF Design Award***, organises one of the most prestigious design competitions in the world today. Every year the iF attracts more than 2,000 product entries from around 37 nations, which are judged by renowned experts, with the best of them receiving an iF seal of outstanding design quality.

***The Build It Awards***, in association with BuildStore UK, celebrate all aspects of self-build and renovation. The awards bring together architects, manufacturers and key industry figures in recognition of innovation and excellence.

The German Design Council bestows the ***German Design Award***. The German Design Council is one of the world's leading competence centres for communication and brand management in the field of design.