

PRODUCT DATA SHEET



PRODUCT CODE

GRANGLEBRACET

RANGE

Gallery

DESCRIPTION

Gallery Angled Brace Bar Slate

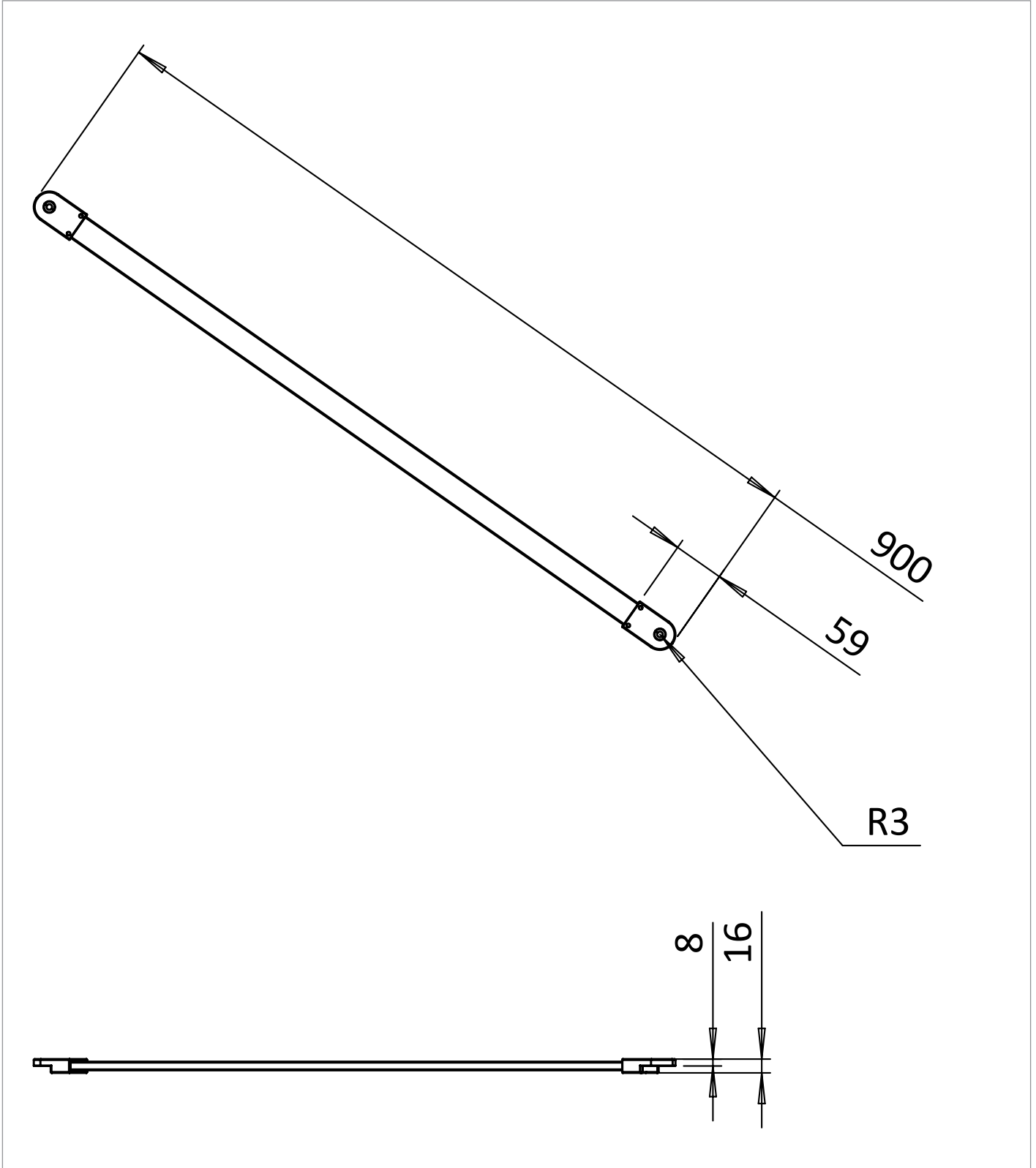
WEBSITE LINK [Click Here](#)

CATEGORY	Showering
WARRANTY DETAILS	2 Years
COLOUR	Slate
FINISH APPLICATION	PVD
PRIMARY MATERIAL	304 Stainless Steel
INSTALL TYPE	Wall Mounted
PRODUCT WIDTH MM	35
PRODUCT LENGTH MM	900
PRODUCT NET WEIGHT KG	1.1
STANDARDS	EN14428

TECHNICAL DIMENSIONS

Dimensions in mm unless otherwise specified.

Tolerances (per material type) apply.



SPARES LIST

Only the parts labelled are available as spares.

SPARES AVAILABLE UPON REQUEST