

Measurements in millimetres mm

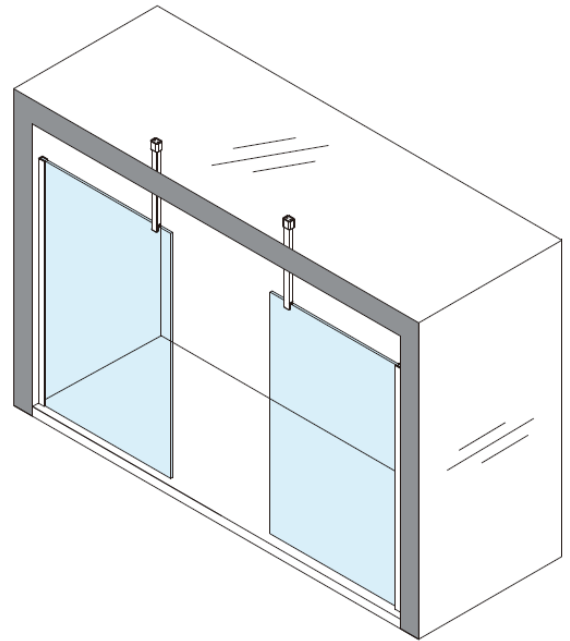
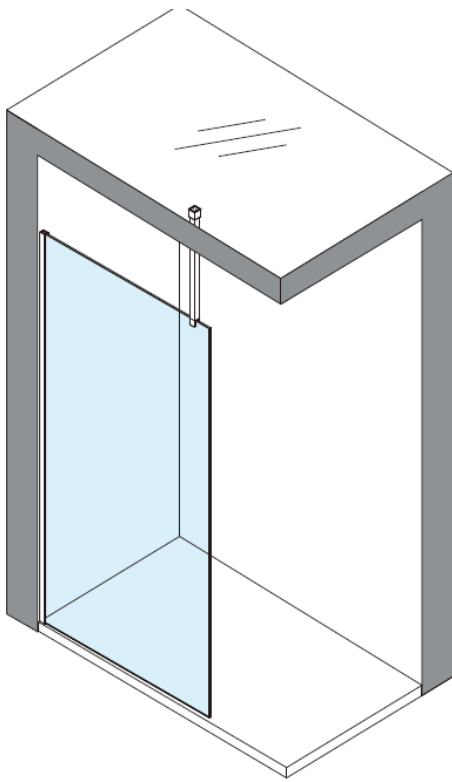
Information updated March 2021

Tel 0345 873 8840

crosswater[™]

GALLERY 10

Glass to ceiling Bracing Bar



Toughened Glass
Strong and safe



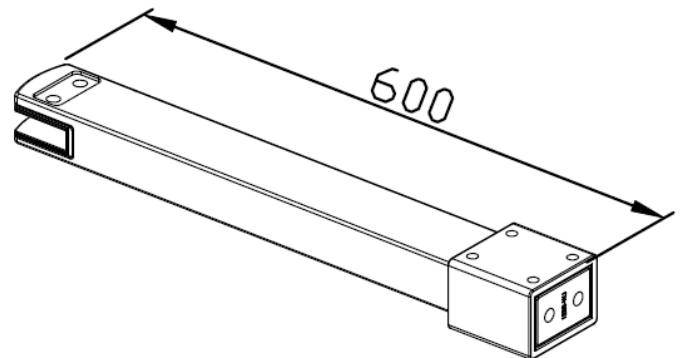
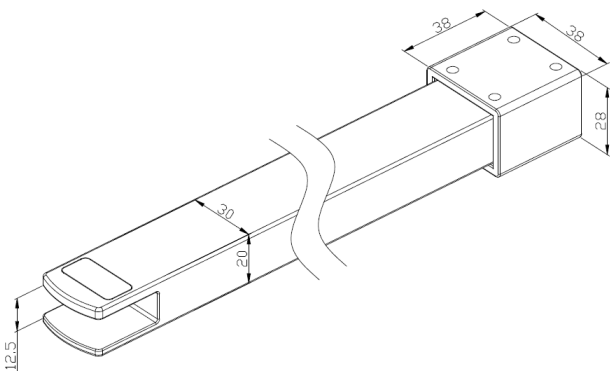
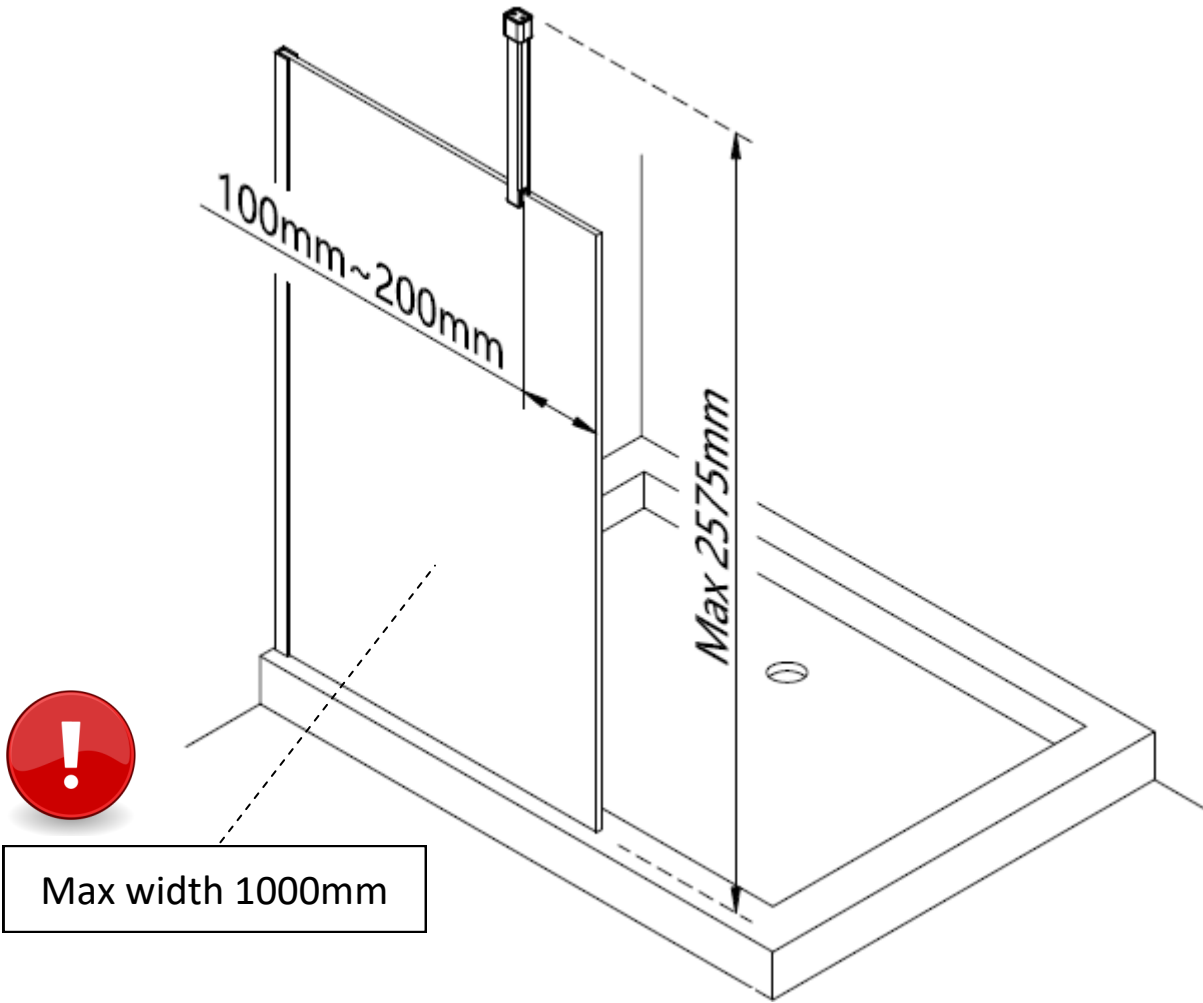
Protective Finish
Easy to clean



Lifetime Guarantee
Peace of mind



BS EN 14428



Toughened Glass
Strong and safe



Protective Finish
Easy to clean



Lifetime Guarantee
Peace of mind



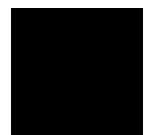
Brushed Brass



Polished Stainless



Brushed Stainless



Matt Black

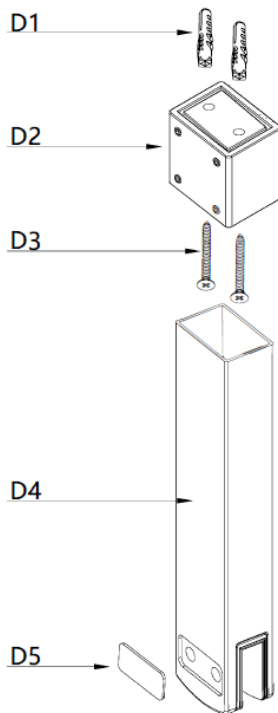
GALLERY 10

Glass to Ceiling Bracing Bar

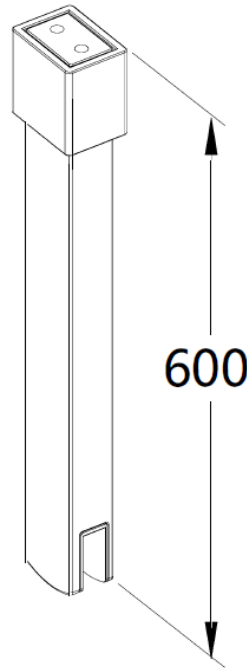





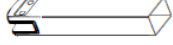


CODE	Gallery 10	Length
	Colour	mm
GRCEILBRACEF	Brushed Brass	600
GRCEILBRACEMB	Matt Black	600
GRCEILBRACEPSS	Polished Stainless Steel	600
GRCEILBRACEV	Brushed Stainless Steel	600

**Maximum width of glass 1000mm
Can be cut down during installation**



D



D 1		Wall plug x2
D 2		Ceiling bracket x1
D 3		4x40mm screw x2
D 4		Ceiling bracing bar x1
D 5		Screw cover x1
D 6		Allen Key 3mm 2.5mm x2



Toughened Glass
Strong and safe



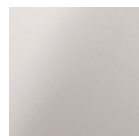
Protective Finish
Easy to clean



Lifetime Guarantee
Peace of mind



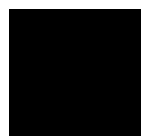
Brushed Brass



Polished Stainless



Brushed Stainless



Matt Black