

PRODUCT DATA SHEET



PRODUCT CODE

GRBRACET

RANGE

Gallery

DESCRIPTION

Gallery Glass Wall Brace Slate

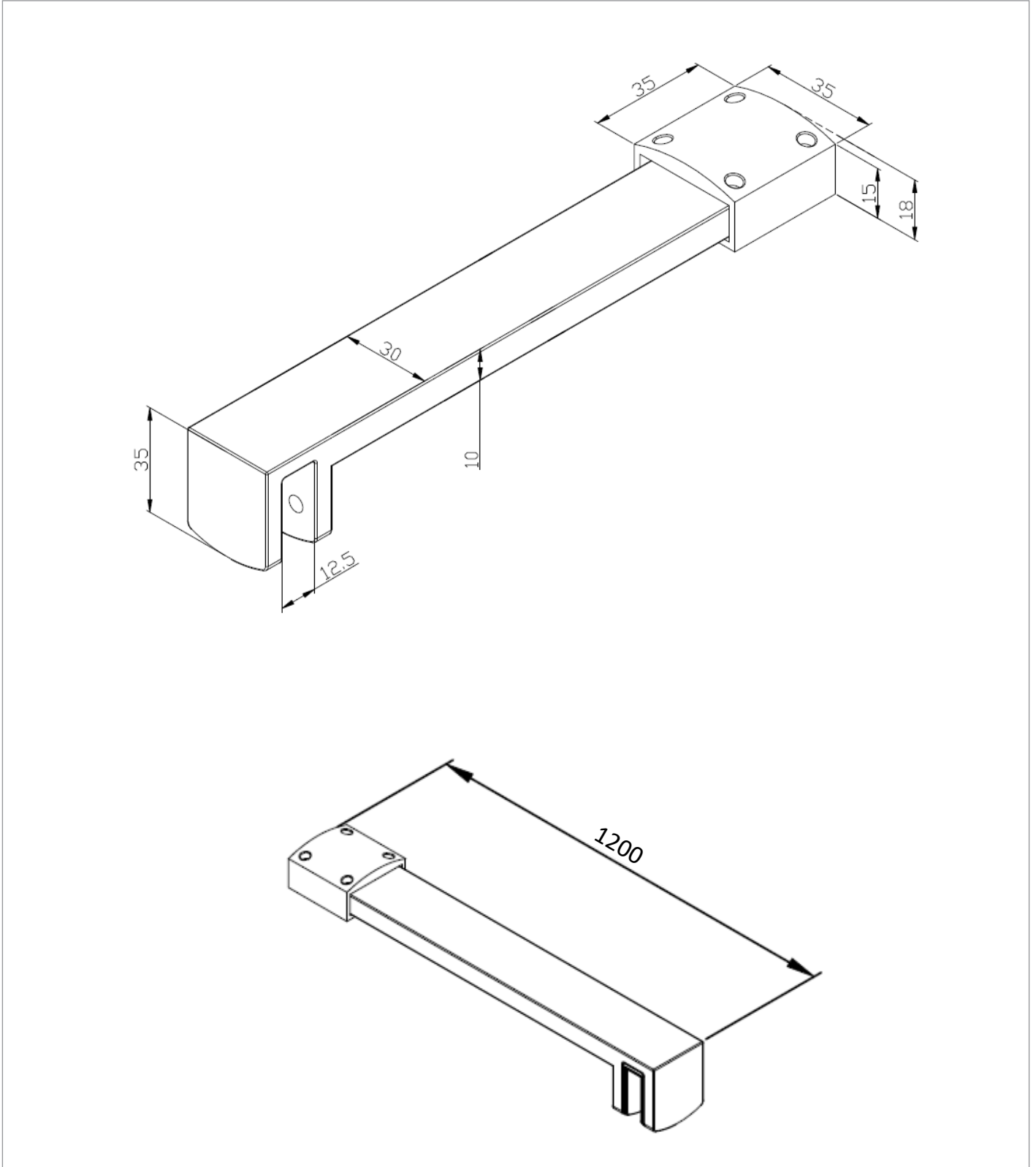
WEBSITE LINK [Click Here](#)

CATEGORY	Showering
WARRANTY DETAILS	2 Years
COLOUR	Slate
FINISH APPLICATION	PVD
PRIMARY MATERIAL	304 Stainless Steel
INSTALL TYPE	Wall Mounted
PRODUCT WIDTH MM	35
PRODUCT LENGTH MM	1200
PRODUCT NET WEIGHT KG	1.2
STANDARDS	EN14428

TECHNICAL DIMENSIONS

Dimensions in mm unless otherwise specified.

Tolerances (per material type) apply.



SPARES LIST

Only the parts labelled are available as spares.

SPARES AVAILABLE UPON REQUEST

Measurements in millimetres mm

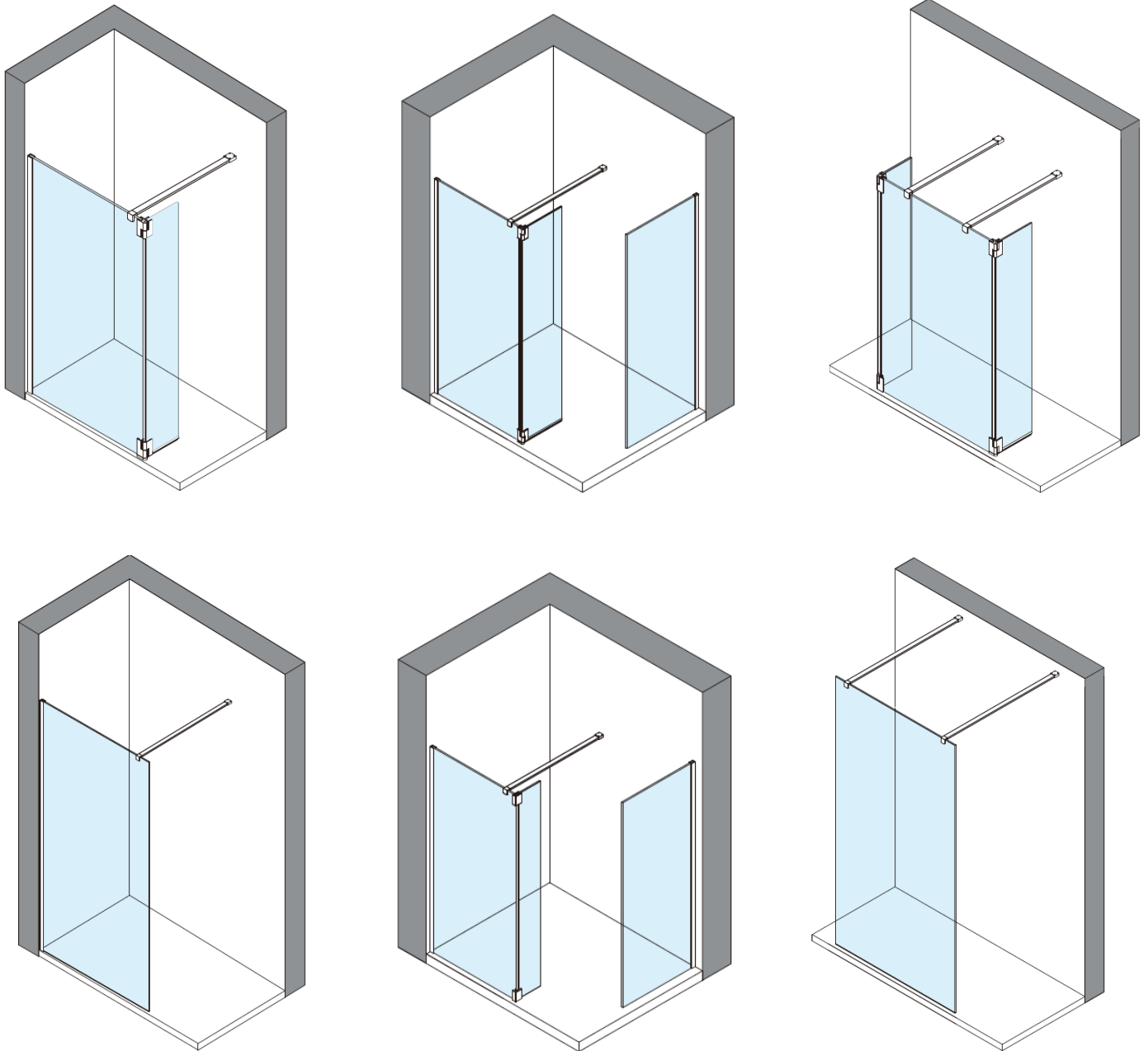
Information updated March 2021

Tel 0345 873 8840

crosswater[®]

GALLERY 10

Glass to wall Bracing Bar



Toughened Glass
Strong and safe



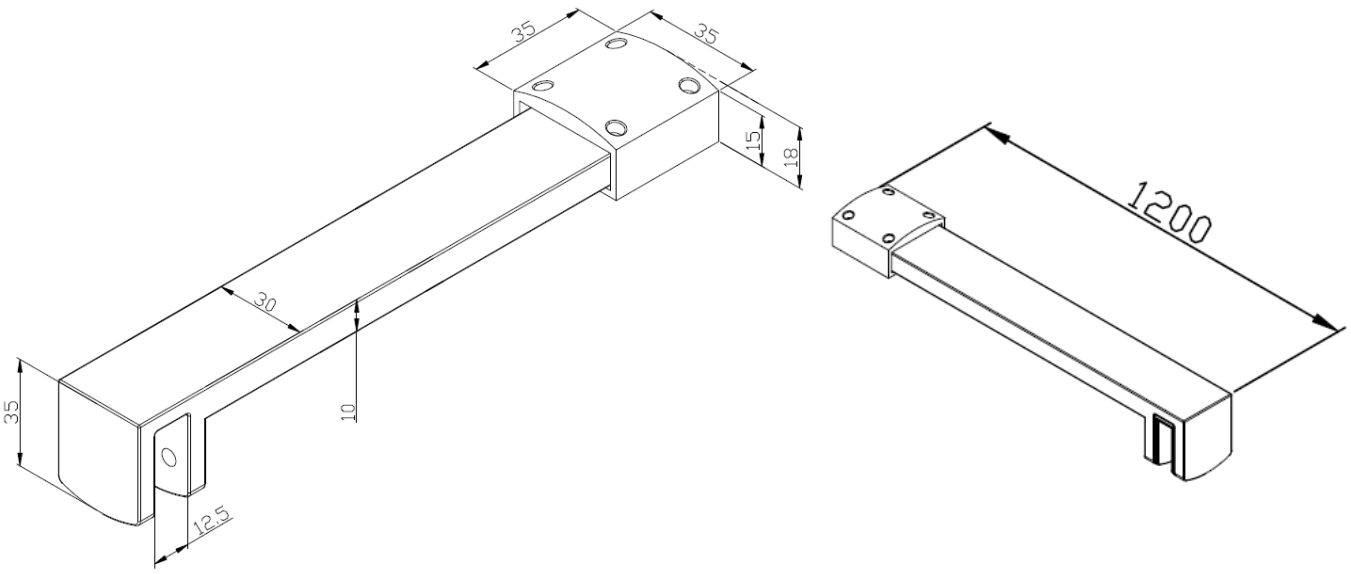
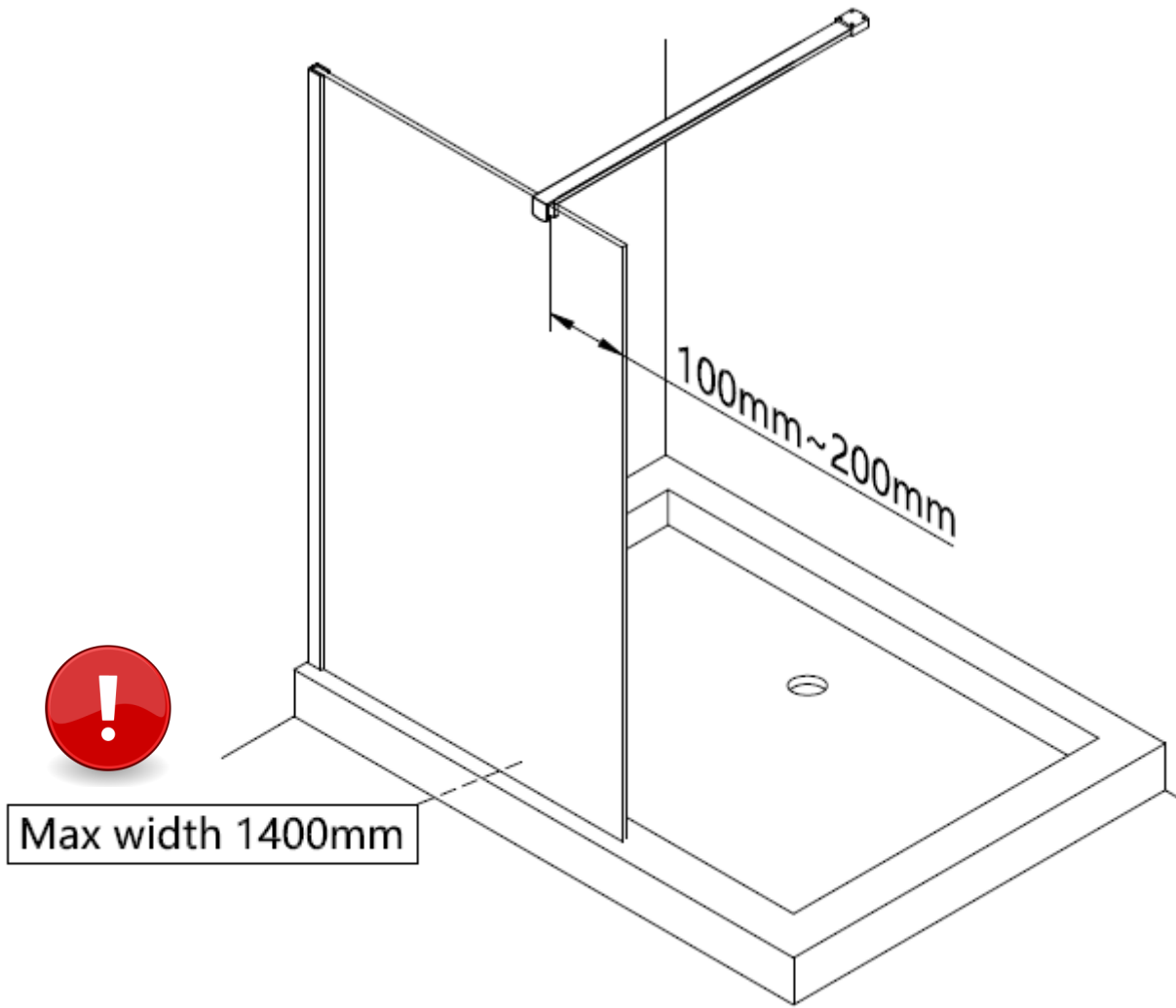
Protective Finish
Easy to clean



Lifetime Guarantee
Peace of mind



BS EN 14428



Toughened Glass
Strong and safe



Protective Finish
Easy to clean



Lifetime Guarantee
Peace of mind



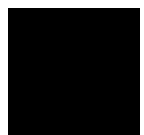
Brushed Brass



Polished Stainless



Brushed Stainless



Matt Black

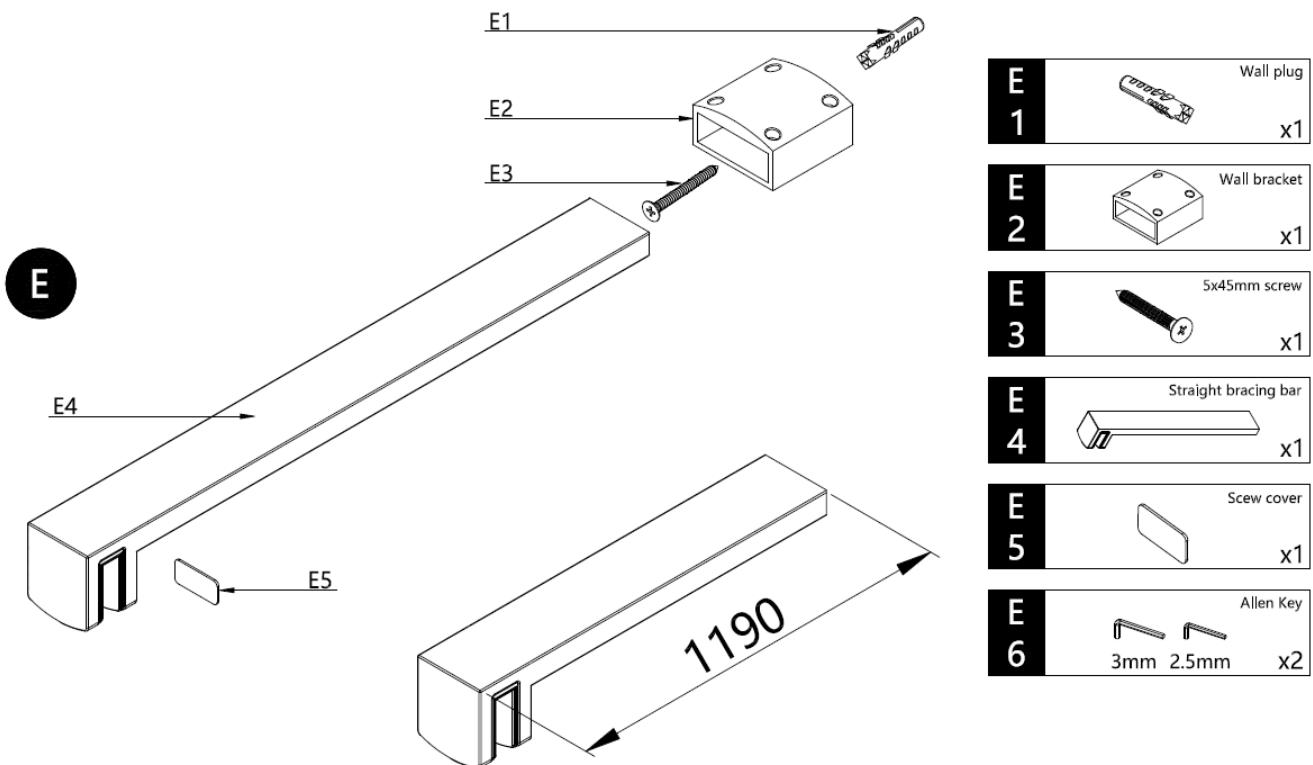
GALLERY 10

Glass to wall Bracing Bar



CODE	Gallery 10	Length
	Colour	mm
GRBRACEF	Brushed Brass	1200
GRBRACEMB	Matt Black	1200
GRBRACEPSS	Polished Stainless Steel	1200
GRBRACEV	Brushed Stainless Steel	1200

**Maximum width of glass 1400mm
Can be cut down during installation**



Toughened Glass
Strong and safe



Protective Finish
Easy to clean



Lifetime Guarantee
Peace of mind



Brushed Brass



Polished Stainless



Brushed Stainless



Matt Black