

# SPECIFICATION SHEET

COLLECTION: CAMEO  
PRODUCT CODE: WG-395-MB



## TAP TYPE

Wastes and Fittings

## COLLECTION NAME

Cameo

## FINISH

Matt Black

## GUARANTEE

10 Year Guarantee

## PLUMBING SYSTEM SUITABILITY

Pressurised System

## NOTES

easily converts into a slotted or unslotted waste  
clic-clac or free-flow

tel: 01934 744466  
email: [sales@vado.com](mailto:sales@vado.com)  
[www.vado.com](http://www.vado.com)

WHERE INSPIRATION FLOWS  
TAPS | SHOWERS | ACCESSORIES



# SPECIFICATION SHEET

COLLECTION: CAMEO  
PRODUCT CODE: WG-395-MB

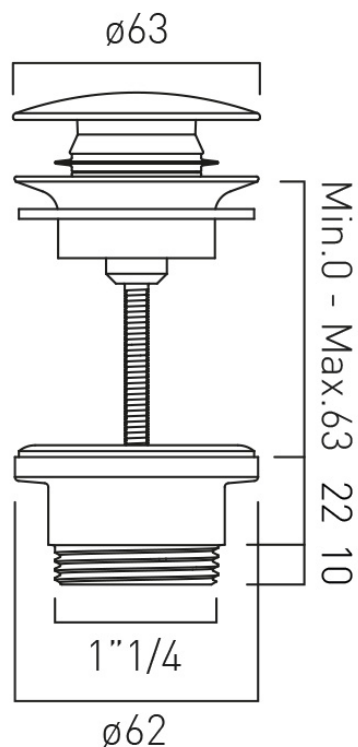
tel: 01934 744466  
email: [sales@vado.com](mailto:sales@vado.com)  
[www.vado.com](http://www.vado.com)

WHERE INSPIRATION FLOWS  
TAPS | SHOWERS | ACCESSORIES



# TECHNICAL DRAWING

COLLECTION: CAMEO  
PRODUCT CODE: WG-395-MB



tel: 01934 744466  
email: sales@vado.com  
www.vado.com

WHERE INSPIRATION FLOWS  
TAPS | SHOWERS | ACCESSORIES

