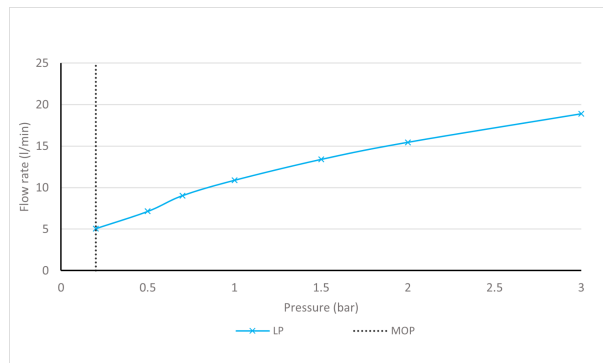


SPECIFICATION SHEET

COLLECTION: CAMEO

PRODUCT CODE: CAM-100E/SB-LP-SBR



TAP TYPE

Basin Mixer

COLLECTION NAME

Cameo

FINISH

Satin Brass

MINIMUM OPERATING PRESSURE

0.2 Bar LP

GUARANTEE

10 Year Guarantee

HANDLES

Single Lever

WITH ECOTURN COLD START TECHNOLOGY

No

WITH WATER FLOW STRAIGHTENER

No

WITH WATER FLOW AERATOR

Yes

tel: 01934 744466
email: sales@vado.com
www.vado.com

WHERE INSPIRATION FLOWS
TAPS | SHOWERS | ACCESSORIES



SPECIFICATION SHEET

COLLECTION: CAMEO

PRODUCT CODE: CAM-100E/SB-LP-SBR

CONNECTIONS / FITTINGS

2 x 1/2" 450mm flexipipe connection

SPARE PARTS

ceramic cartridge C-001-N30

DECK HOLE DRILL DIAMETER

35mm

WASTE

None (Smooth Bodied)

STYLE

Square

HOLES

1 Hole

MOUNTING

Deck Mounted

PLUMBING SYSTEM SUITABILITY

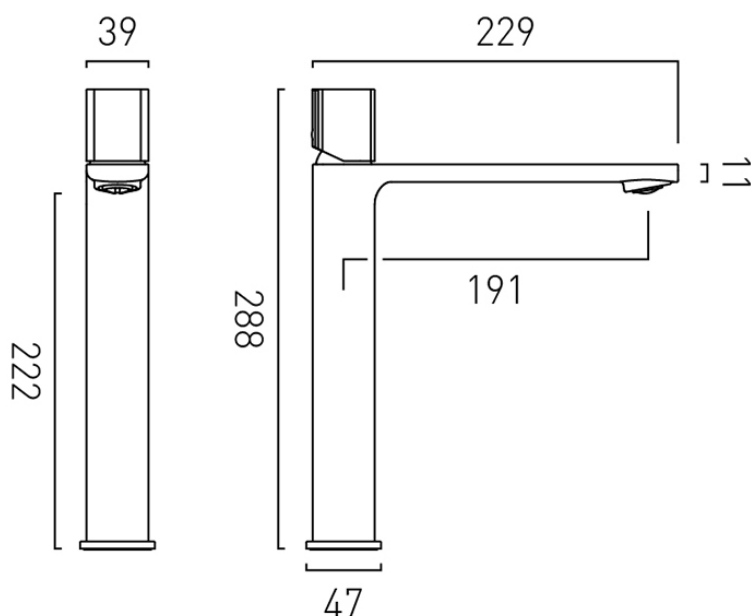
Gravity System



TECHNICAL DRAWING

COLLECTION: CAMEO

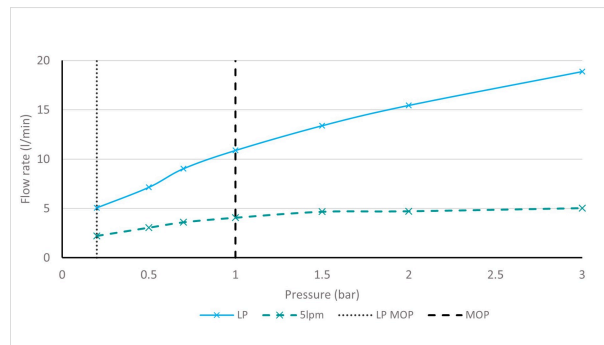
PRODUCT CODE: CAM-100E/SB-LP-SBR



SPECIFICATION SHEET

COLLECTION: CAMEO

PRODUCT CODE: CAM-100E/SB-SBR



TAP TYPE

Basin Mixer

COLLECTION NAME

Cameo

FINISH

Satin Brass

RECOMMENDED FLOW REGULATOR

5 l/min Flow Regulator

MINIMUM OPERATING PRESSURE

1.0 Bar MP

GUARANTEE

10 Year Guarantee

HANDLES

Single Lever

WITH ECOTURN COLD START TECHNOLOGY

No

WITH WATER FLOW STRAIGHTENER

No

tel: 01934 744466
email: sales@vado.com
www.vado.com

WHERE INSPIRATION FLOWS
TAPS | SHOWERS | ACCESSORIES



SPECIFICATION SHEET

COLLECTION: CAMEO

PRODUCT CODE: CAM-100E/SB-SBR

WITH WATER FLOW AERATOR

Yes

CONNECTIONS / FITTINGS

2 x 1/2" 450mm flexipipe connection

SPARE PARTS

ceramic cartridge C-001-N30

DECK HOLE DRILL DIAMETER

35mm

WASTE

None (Smooth Bodied)

STYLE

Square

HOLES

1 Hole

MOUNTING

Deck Mounted

PLUMBING SYSTEM SUITABILITY

Combination Boiler

TECHNICAL DRAWING

COLLECTION: CAMEO

PRODUCT CODE: CAM-100E/SB-SBR

