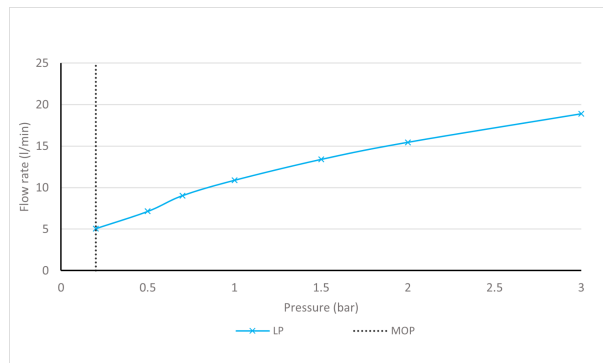


# SPECIFICATION SHEET

COLLECTION: CAMEO

PRODUCT CODE: CAM-100E/SB-LP-MB



## TAP TYPE

Basin Mixer

## COLLECTION NAME

Cameo

## FINISH

Matt Black

## MINIMUM OPERATING PRESSURE

0.2 Bar LP

## GUARANTEE

10 Year Guarantee

## HANDLES

Single Lever

## WITH ECOTURN COLD START TECHNOLOGY

No

## WITH WATER FLOW STRAIGHTENER

No

## WITH WATER FLOW AERATOR

Yes

tel: 01934 744466  
email: sales@vado.com  
www.vado.com

WHERE INSPIRATION FLOWS  
TAPS | SHOWERS | ACCESSORIES



# SPECIFICATION SHEET

COLLECTION: CAMEO

PRODUCT CODE: CAM-100E/SB-LP-MB

## CONNECTIONS / FITTINGS

2 x 1/2" 450mm flexipipe connection

## SPARE PARTS

ceramic cartridge C-001-N30

## DECK HOLE DRILL DIAMETER

35mm

## WASTE

None (Smooth Bodied)

## STYLE

Square

## HOLES

1 Hole

## MOUNTING

Deck Mounted

## PLUMBING SYSTEM SUITABILITY

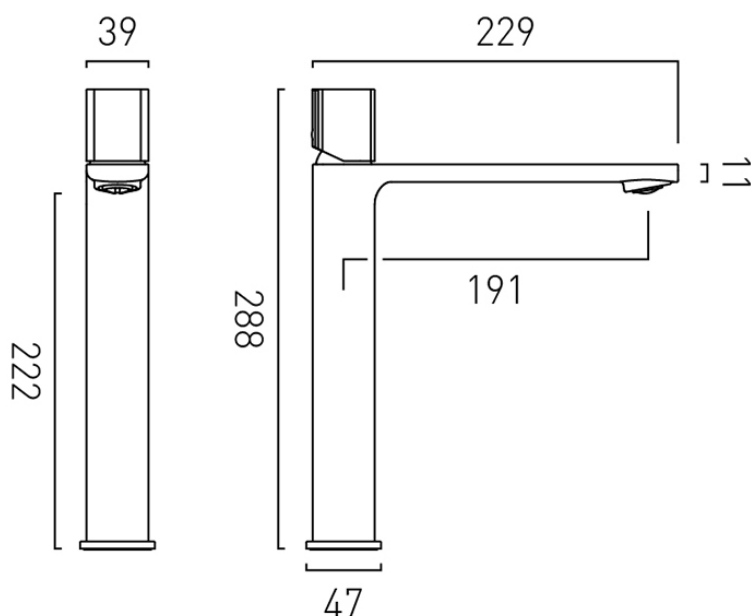
Gravity System



# TECHNICAL DRAWING

COLLECTION: CAMEO

PRODUCT CODE: CAM-100E/SB-LP-MB



# SPECIFICATION SHEET

COLLECTION: CAMEO

PRODUCT CODE: CAM-100E/SB-MB



## TAP TYPE

Basin Mixer

## COLLECTION NAME

Cameo

## FINISH

Matt Black

## RECOMMENDED FLOW REGULATOR

5 l/min Flow Regulator

## MINIMUM OPERATING PRESSURE

1.0 Bar MP

## GUARANTEE

10 Year Guarantee

## HANDLES

Single Lever

## WITH ECOTURN COLD START TECHNOLOGY

No

## WITH WATER FLOW STRAIGHTENER

No

tel: 01934 744466  
email: [sales@vado.com](mailto:sales@vado.com)  
[www.vado.com](http://www.vado.com)

WHERE INSPIRATION FLOWS  
TAPS | SHOWERS | ACCESSORIES



# SPECIFICATION SHEET

COLLECTION: CAMEO

PRODUCT CODE: CAM-100E/SB-MB

## WITH WATER FLOW AERATOR

Yes

## CONNECTIONS / FITTINGS

2 x 1/2" 450mm flexipipe connection

## SPARE PARTS

ceramic cartridge C-001-N30

## DECK HOLE DRILL DIAMETER

35mm

## WASTE

None (Smooth Bodied)

## STYLE

Square

## HOLES

1 Hole

## MOUNTING

Deck Mounted

## PLUMBING SYSTEM SUITABILITY

Combination Boiler

# TECHNICAL DRAWING

COLLECTION: CAMEO

PRODUCT CODE: CAM-100E/SB-MB

