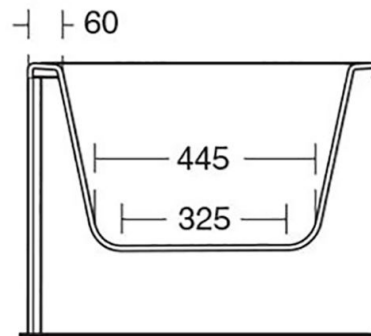


Section B - B

Section A - A



Section C - C

